

[54] PICTURE FRAME

[76] Inventor: Ellis Shamoon, 3618 Gillespie, Suite 109, Dallas, Tex. 75219

[**] Term: 14 Years

[21] Appl. No.: 218,777

[22] Filed: Dec. 22, 1980

[51] Int. Cl. D6-07
[52] U.S. Cl. D6/242
[58] Field of Search D6/232-246,
D6/114, 152; D28/65-68; 40/152, 152.1, 152.2,
158 A

[56] References Cited

U.S. PATENT DOCUMENTS

D. 251,881 5/1979 Shirley D6/233
D. 253,266 10/1979 Alburty D6/114
D. 258,475 3/1981 Edstrom D6/233

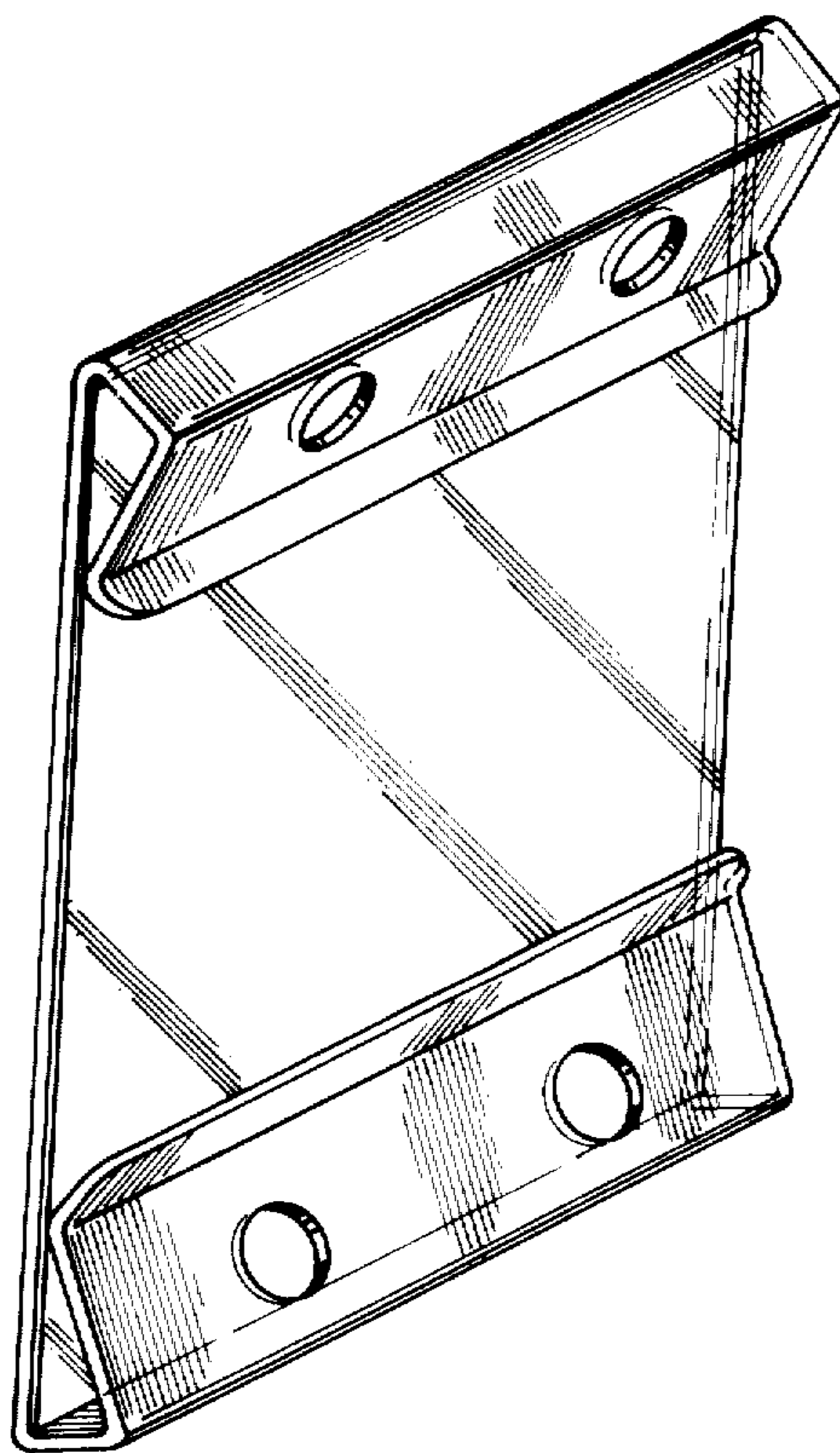
Primary Examiner—Charles A. Rademaker

[57] CLAIM

The ornamental design for a picture frame, as shown and described.

DESCRIPTION

FIG. 1 is a perspective view of a picture frame showing my new design;
FIG. 2 is a reduced side elevational view taken from the left of FIG. 1;
FIG. 3 is a top plan view thereof;
FIG. 4 is bottom plan view thereof;
FIG. 5 is a rear elevational view thereof; and
FIG. 6 is a front elevational view thereof.



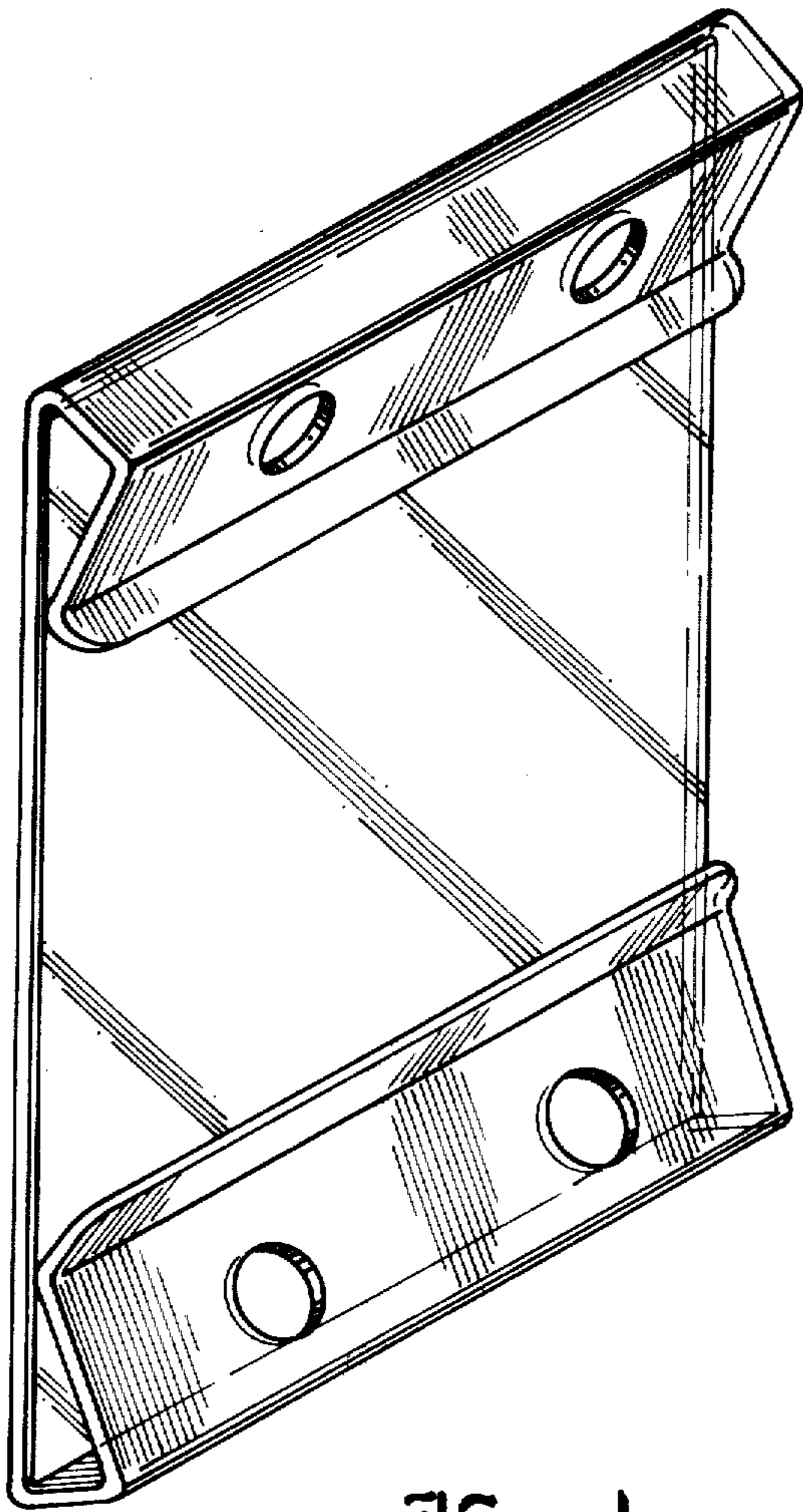


FIG. 1

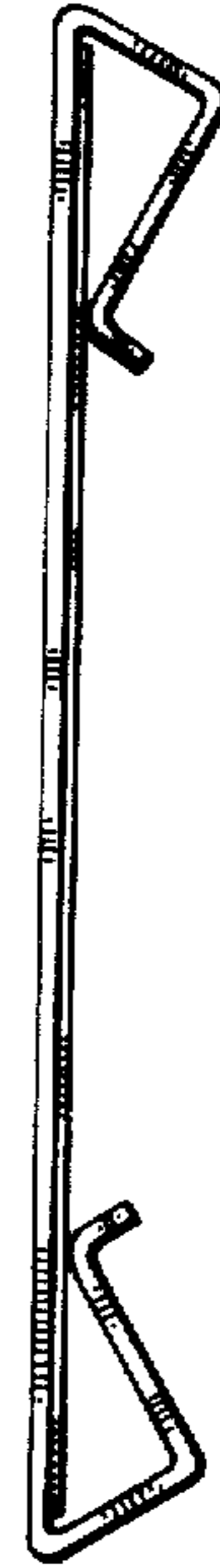


FIG. 2



FIG. 3

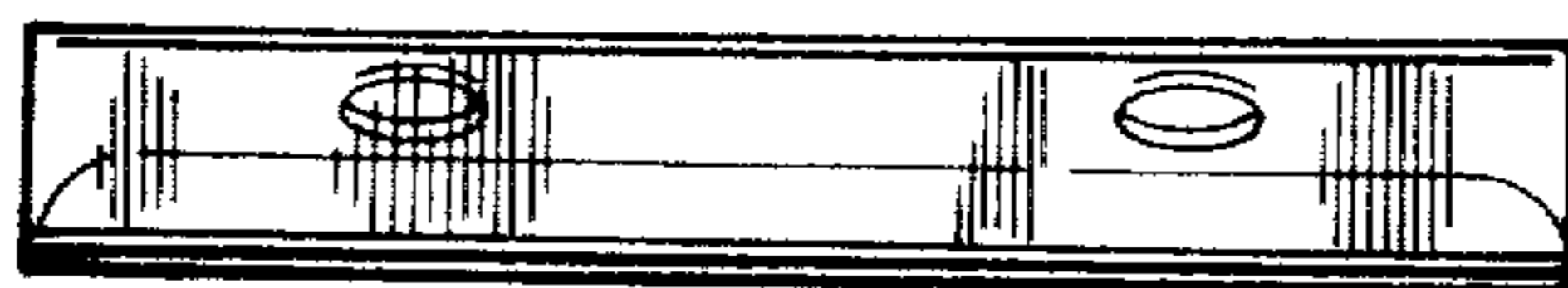


FIG. 4

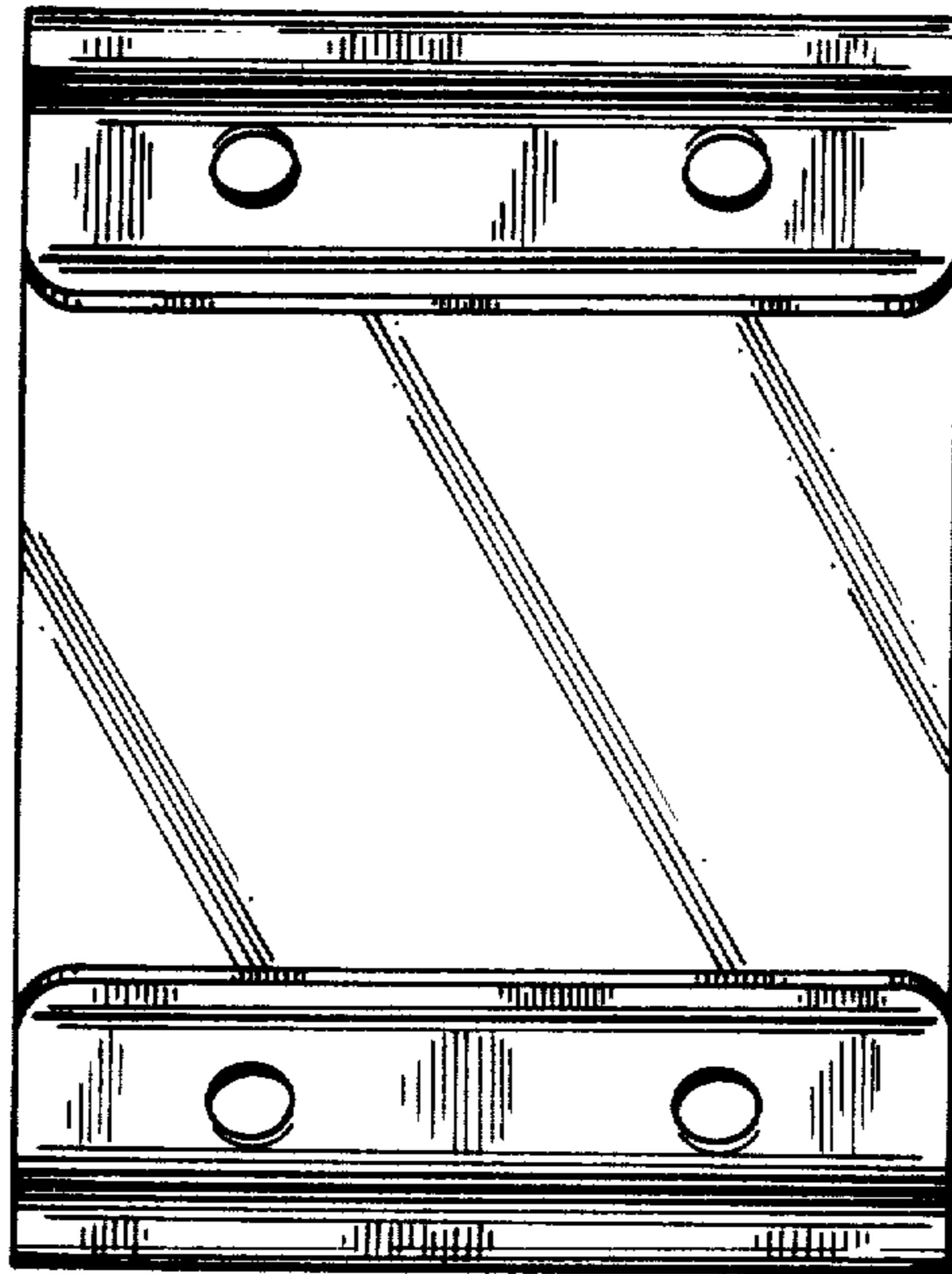


FIG. 5

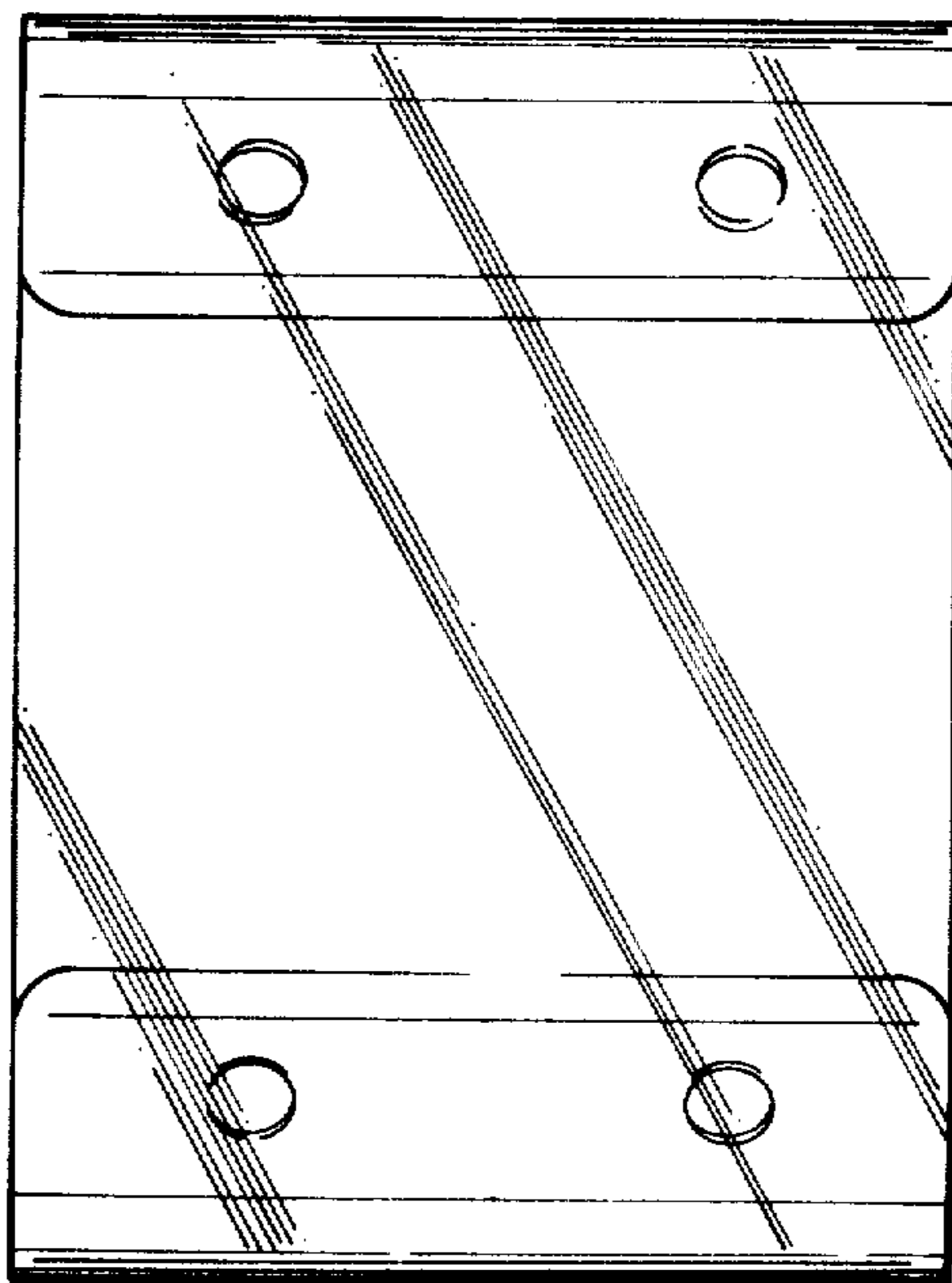


FIG. 6