

[54] PLURAL LEG SUPPORT UNIT FOR A WATER TANK OR SIMILAR ARTICLE

[75] Inventor: Kenneth L. Kirk, Cranston, R.I.

[73] Assignee: Amtrol Inc., West Warwick, R.I.

[\*\*] Term: 14 Years

[21] Appl. No.: 194,286

[22] Filed: Oct. 6, 1980

[51] Int. Cl. .... D6-06

[52] U.S. Cl. .... D6/196; D6/105

[58] Field of Search ..... D6/20-31, D6/85, 105, 191, 196, 195

[56] References Cited

U.S. PATENT DOCUMENTS

D. 240,490	7/1976	Hunt	.....	D6/105 X
D. 241,799	10/1976	Koyama	.....	D6/196
D. 261,708	11/1981	Ligrano	.....	D6/196 X
2,821,353	1/1958	Hasenohrl	.....	D6/105 X
3,940,100	2/1976	Haug	.....	D6/196 X

Primary Examiner—Bruce W. Dunkins  
Attorney, Agent, or Firm—Fisher, Christen & Sabol

[57] CLAIM

The ornamental design for a plural leg support for a water tank or similar article, substantially as shown and described.

DESCRIPTION

FIG. 1 is a top perspective view of a plural leg support unit for a water tank or similar article showing my new design;

FIG. 2 is a top elevational view of a tee-type leg bracket showing my new design;

FIG. 3 is a back elevational view of a plural leg support unit for a water tank or similar article showing my new design;

FIG. 4 is a left side elevational view of a plural leg support unit for a water tank or similar article showing my new design; and

FIG. 5 is a bottom elevational view of a plural leg support unit for a water tank or similar article showing my new design.

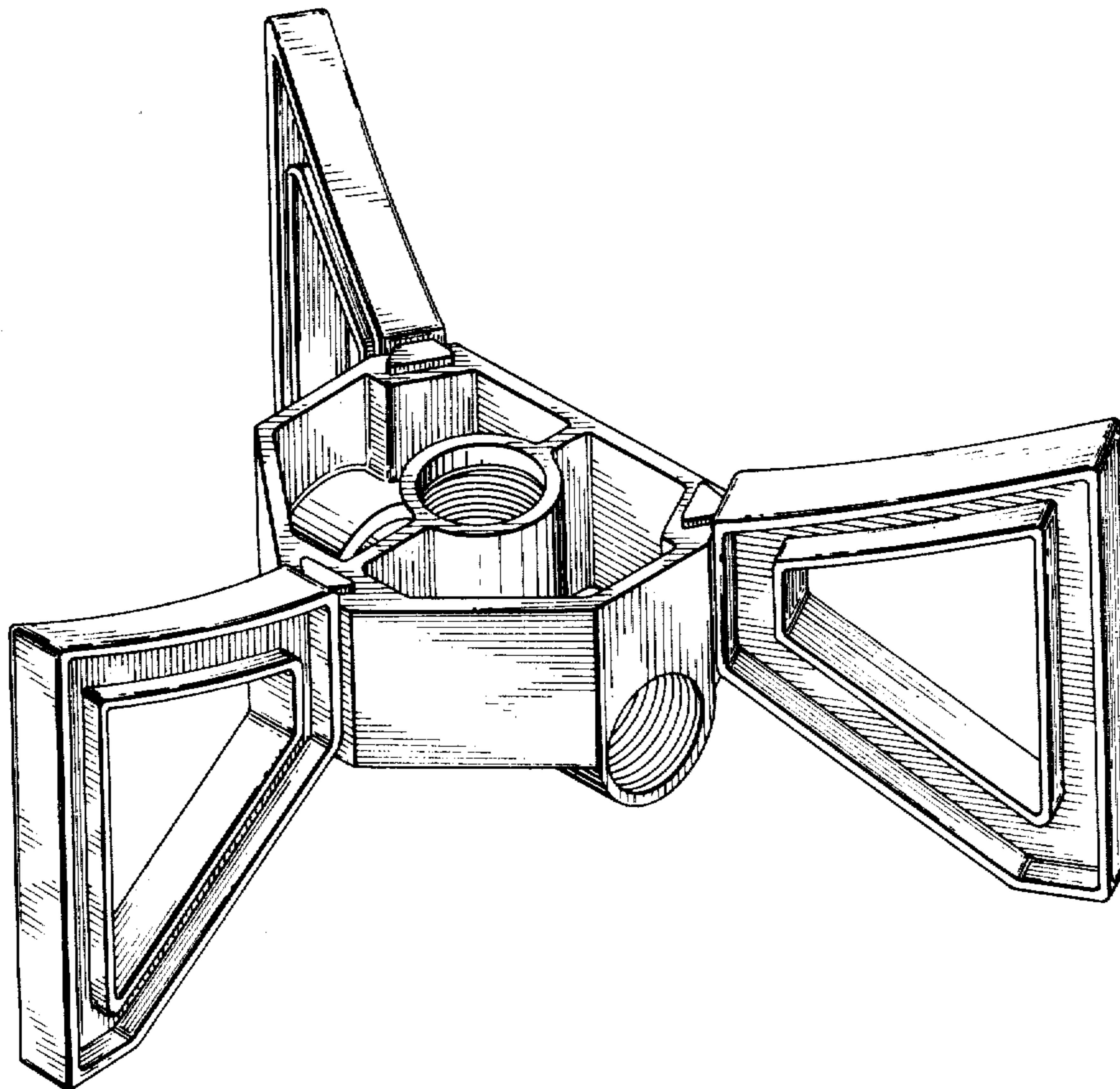


FIG. 1

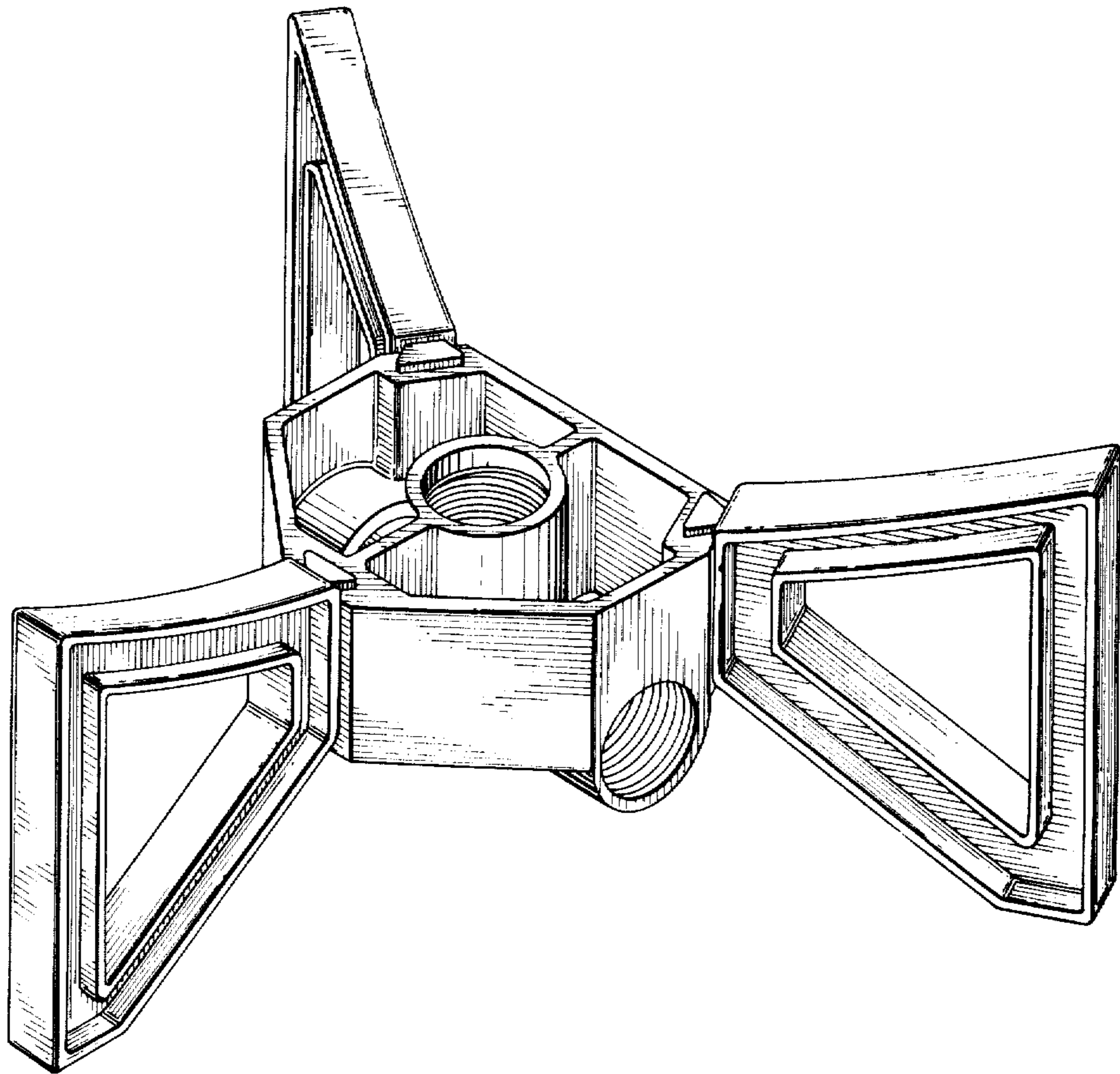


FIG. 2

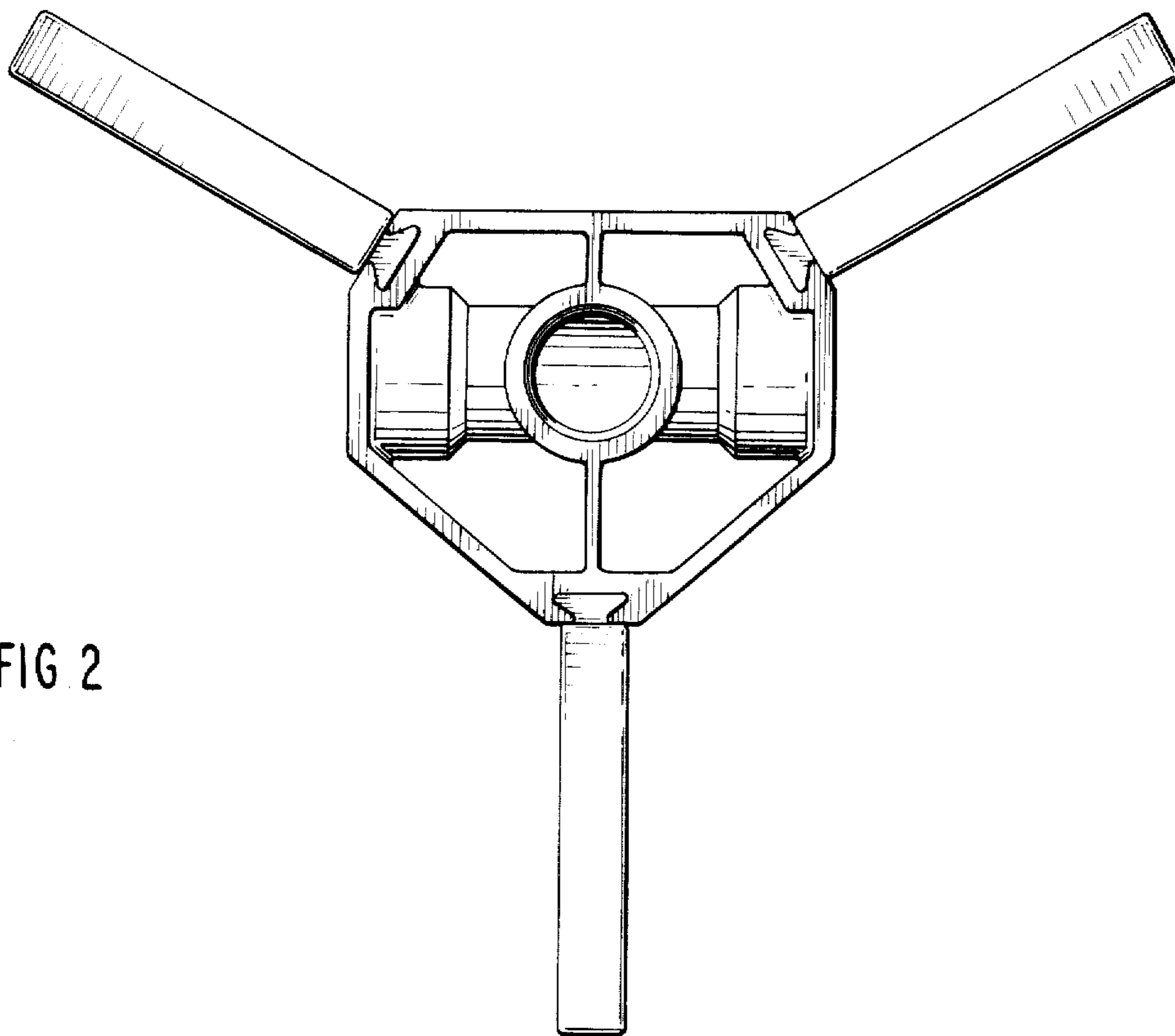


FIG. 3

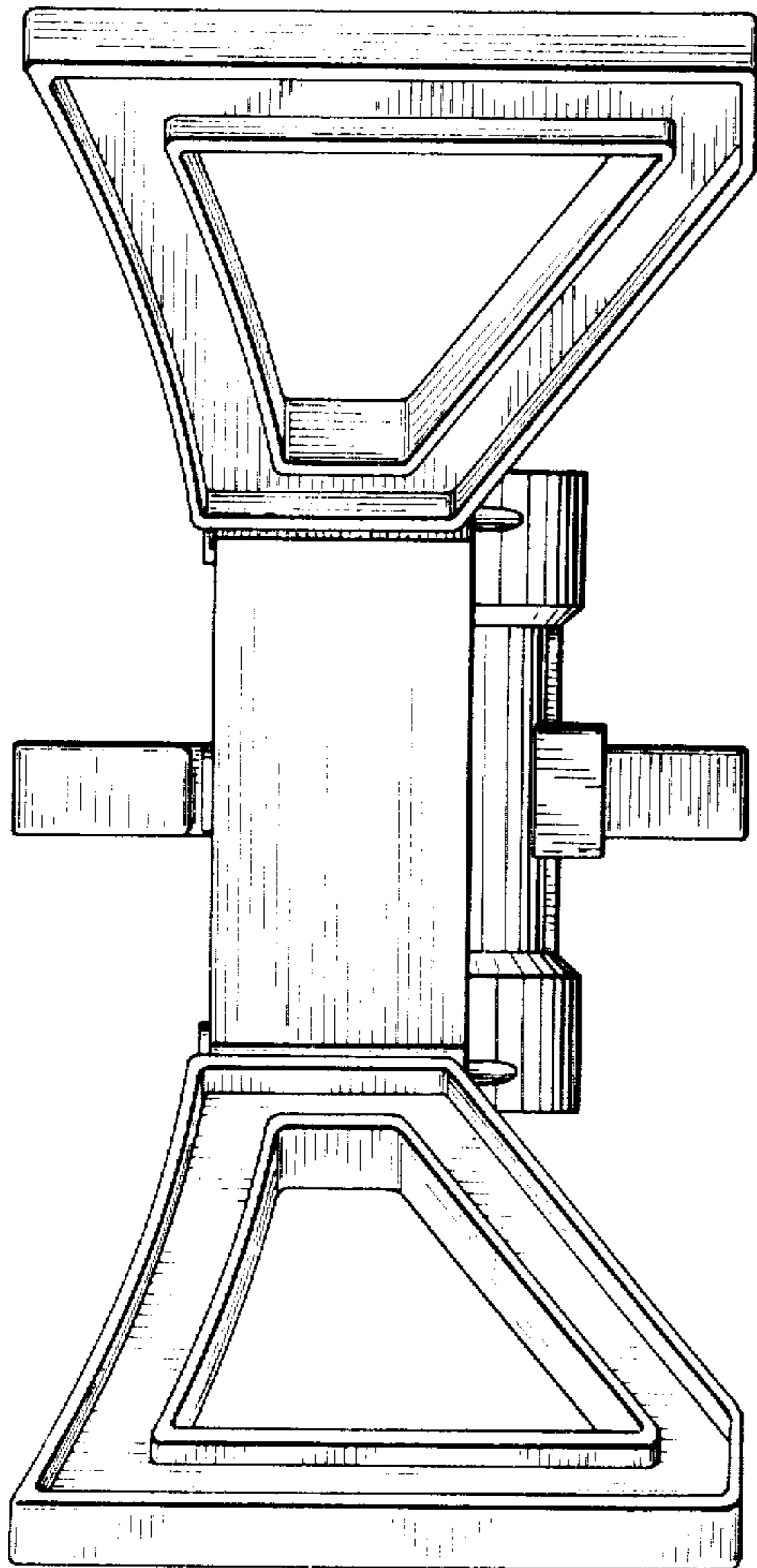


FIG. 5

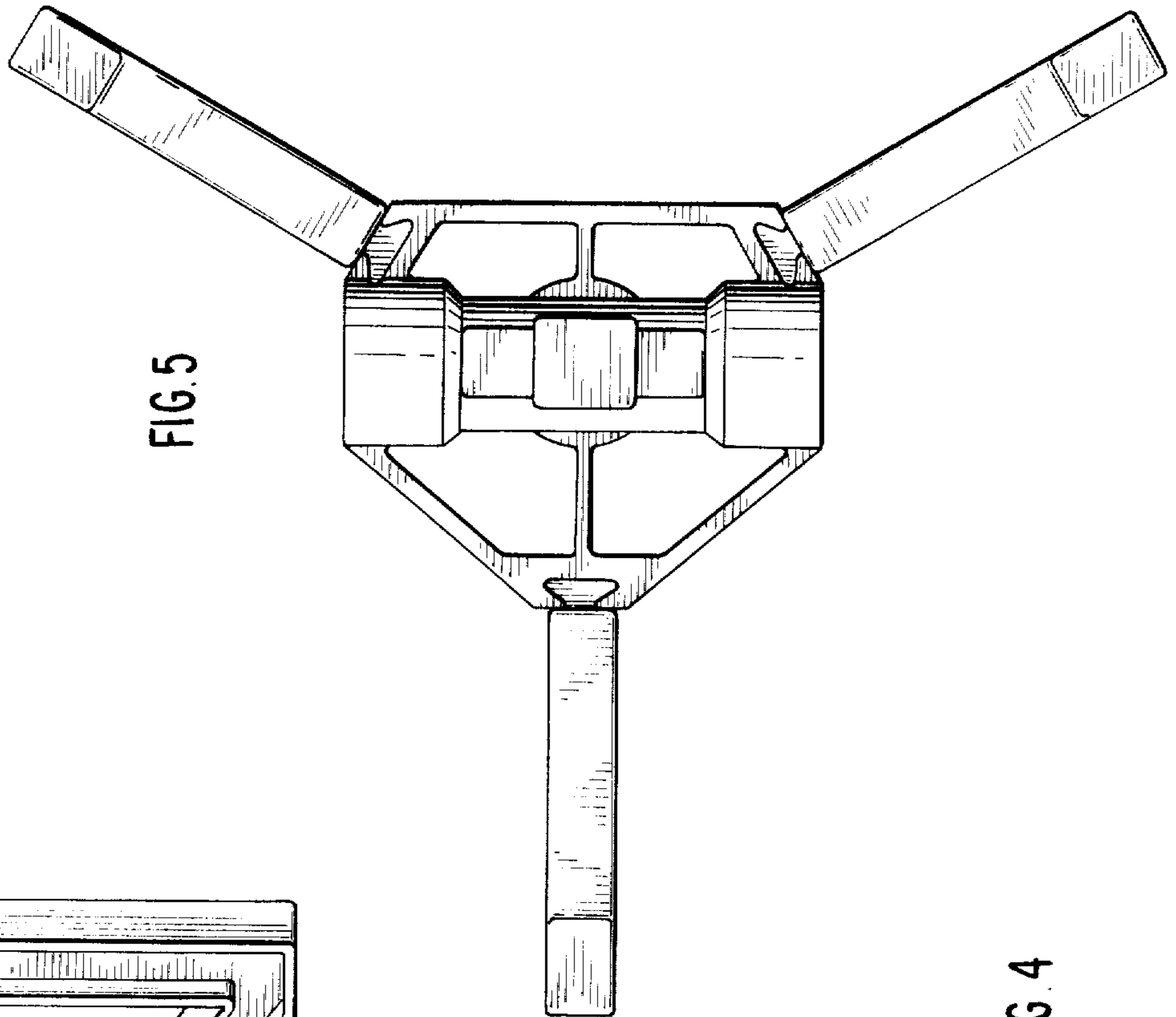


FIG. 4

