

[54] **AUTOMATIC DATA PROCESSING DESK**

[75] Inventor: **Kimmo P. K. Römpötti**, Vantaa,
Finland

[73] Assignee: **Economic-Kaluste Oy**, Helsinki,
Finland

[**] Term: **14 Years**

[21] Appl. No.: **127,164**

[22] Filed: **Mar. 4, 1980**

[30] **Foreign Application Priority Data**

Sep. 13, 1979 [FI] Finland 558/79

[51] Int. Cl. **D6—03**

[52] U.S. Cl. **D6/179; D6/156**

[58] Field of Search **D6/156, 157, 20, 27,
D6/146-149, 177-179, 58-59, 151**

[56] **References Cited**

U.S. PATENT DOCUMENTS

D. 123,806 12/1940 Griese D6/156
D. 215,010 8/1969 Barnes D6/157
D. 215,162 9/1969 Robichaud D6/156

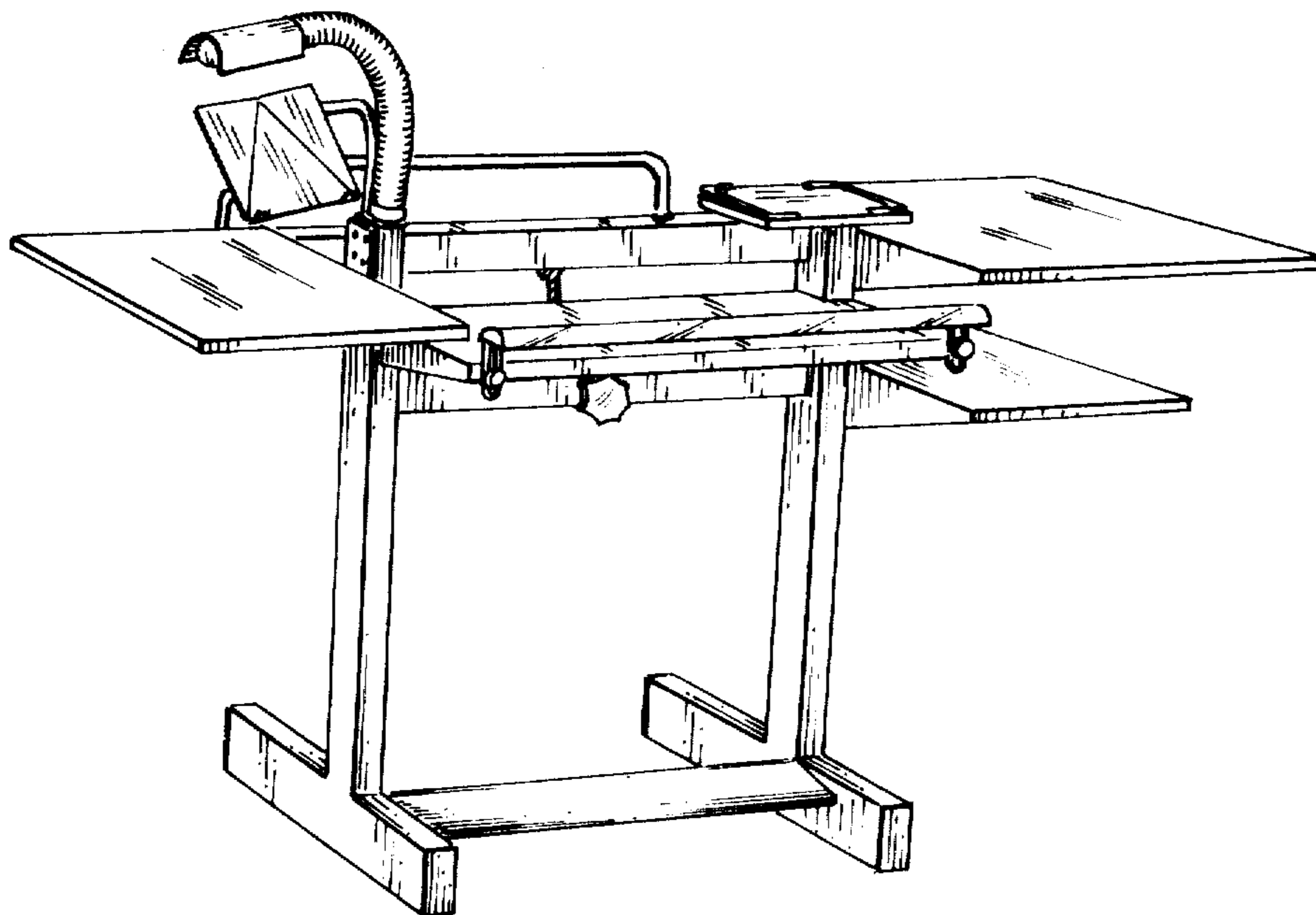
Primary Examiner—Lester L. Lee
Attorney, Agent, or Firm—Ladas & Parry

[57] **CLAIM**

The ornamental design for an automatic data processing desk, as shown.

DESCRIPTION

FIG. 1 is a perspective view of an automatic data processing desk showing my new design;
FIG. 2 is a front elevation thereof;
FIG. 3 is a back elevation thereof;
FIG. 4 is a left side elevation thereof;
FIG. 5 is a right side elevation thereof;
FIG. 6 is a top plan view thereof.



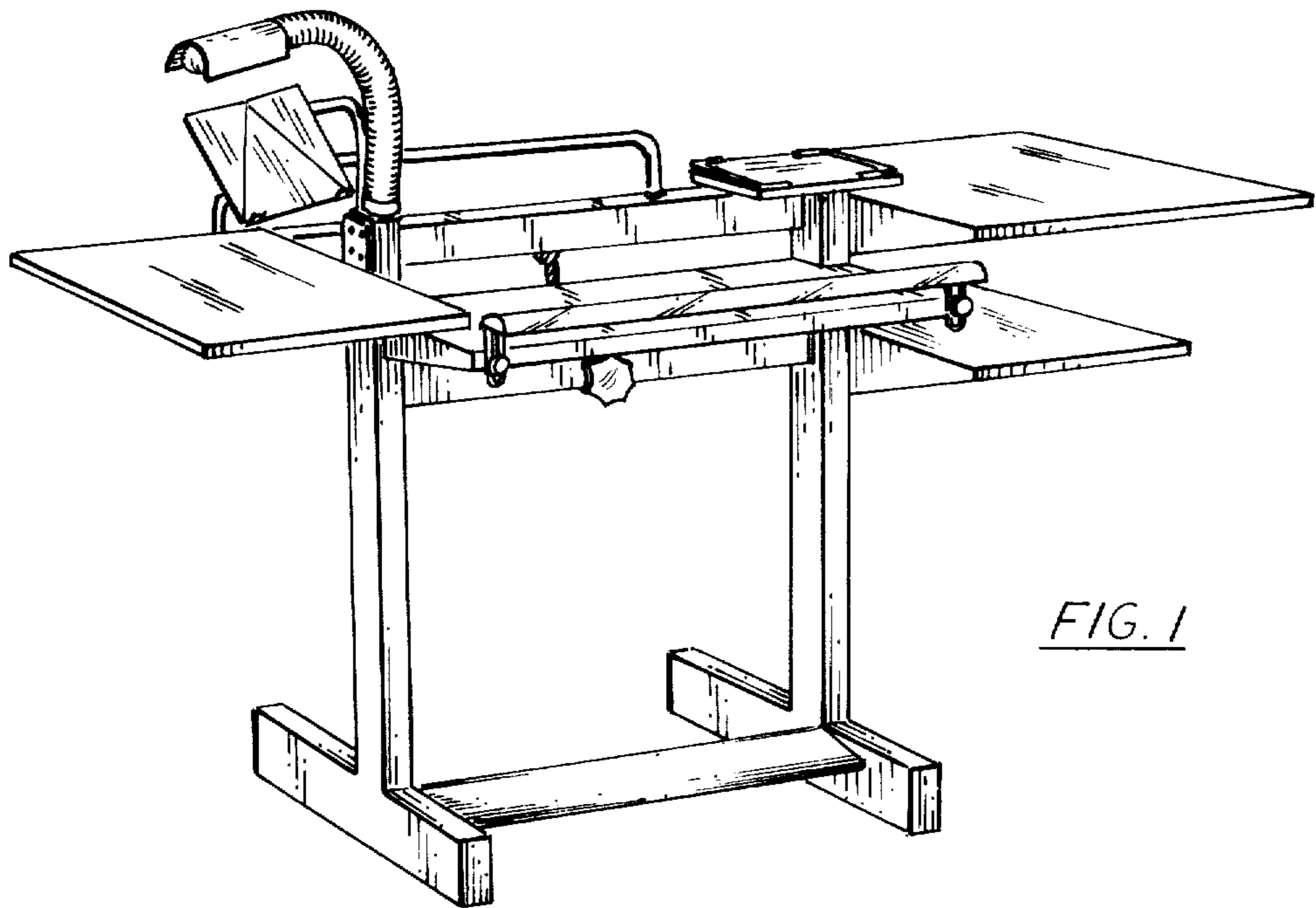


FIG. 1

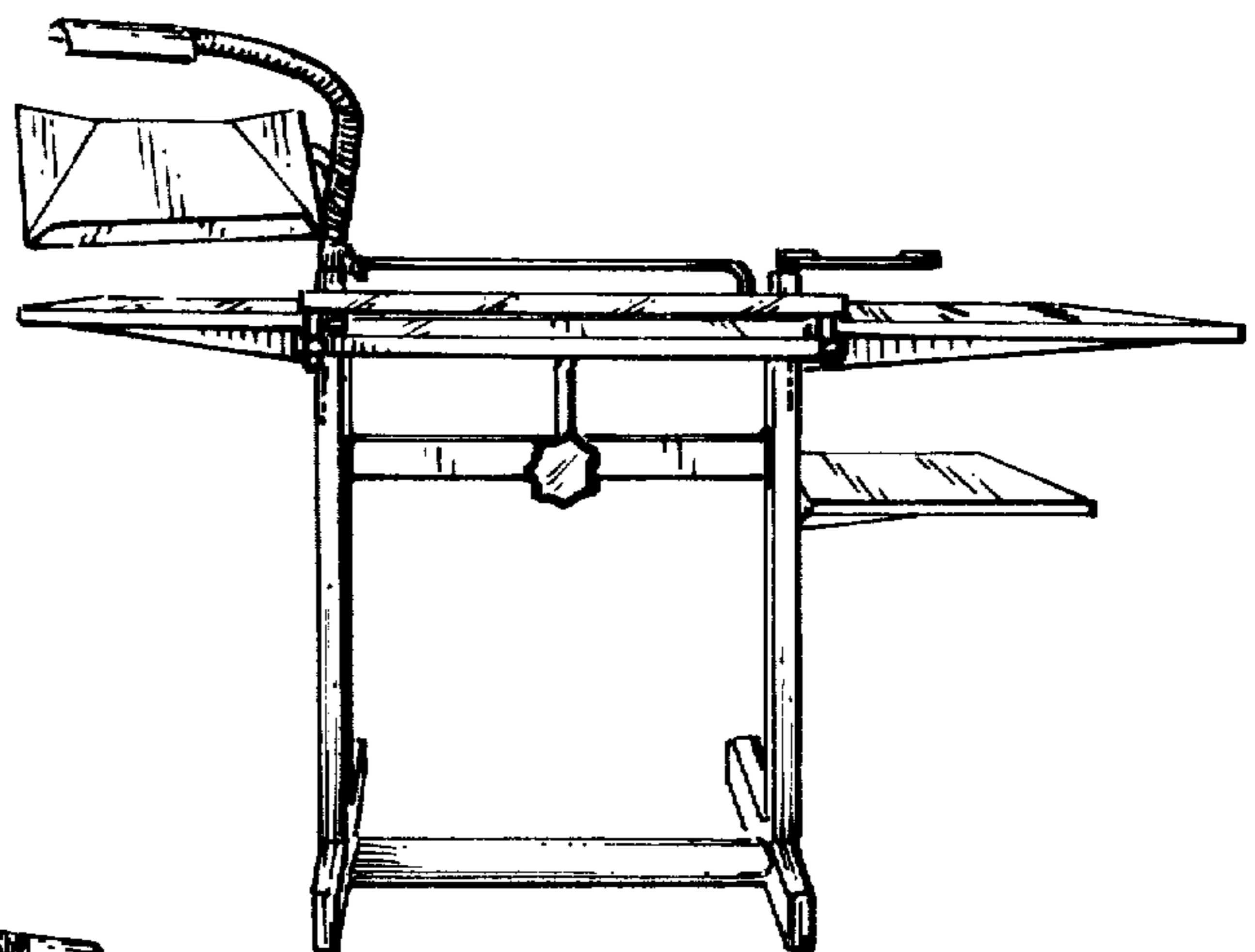


FIG. 2

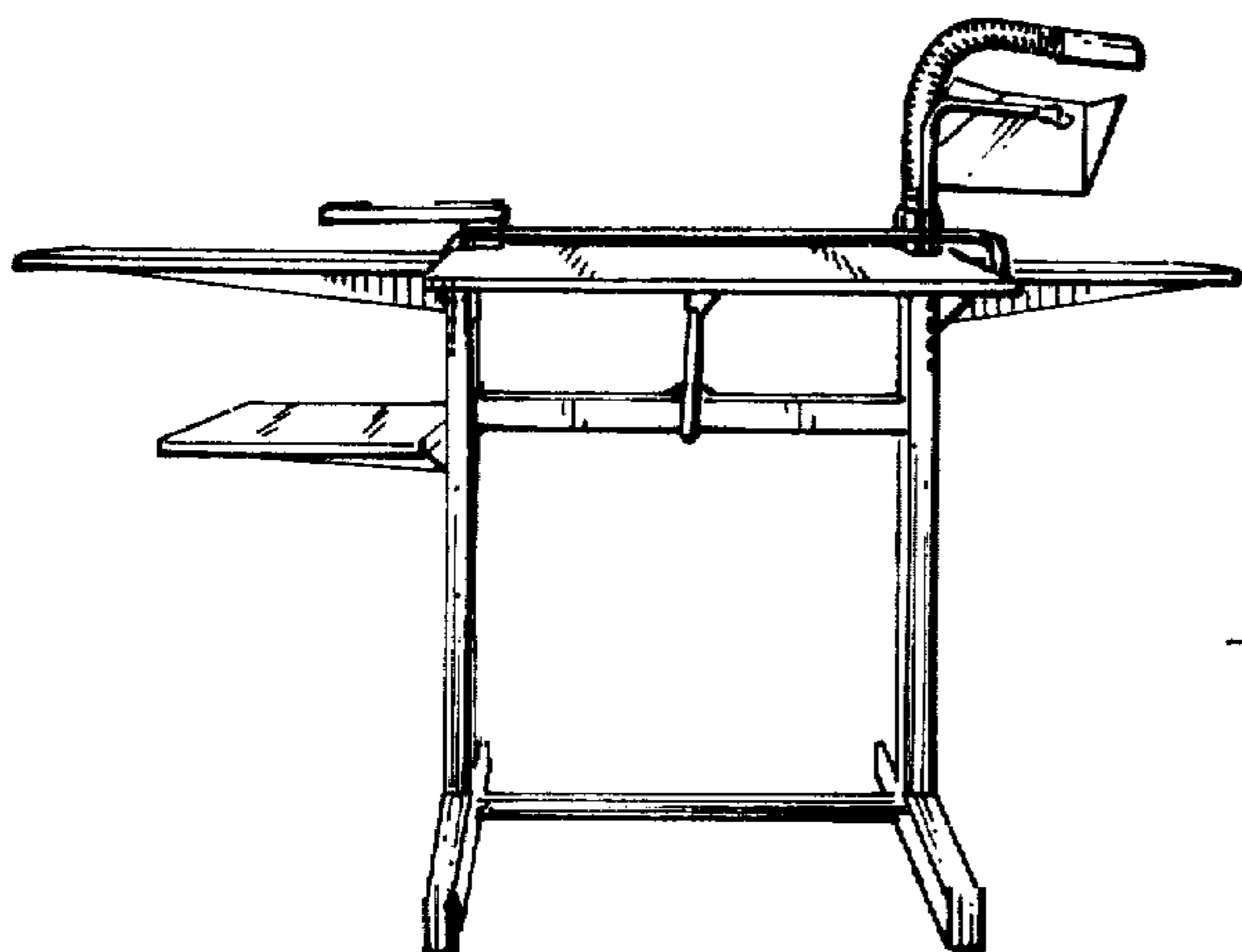


FIG. 3

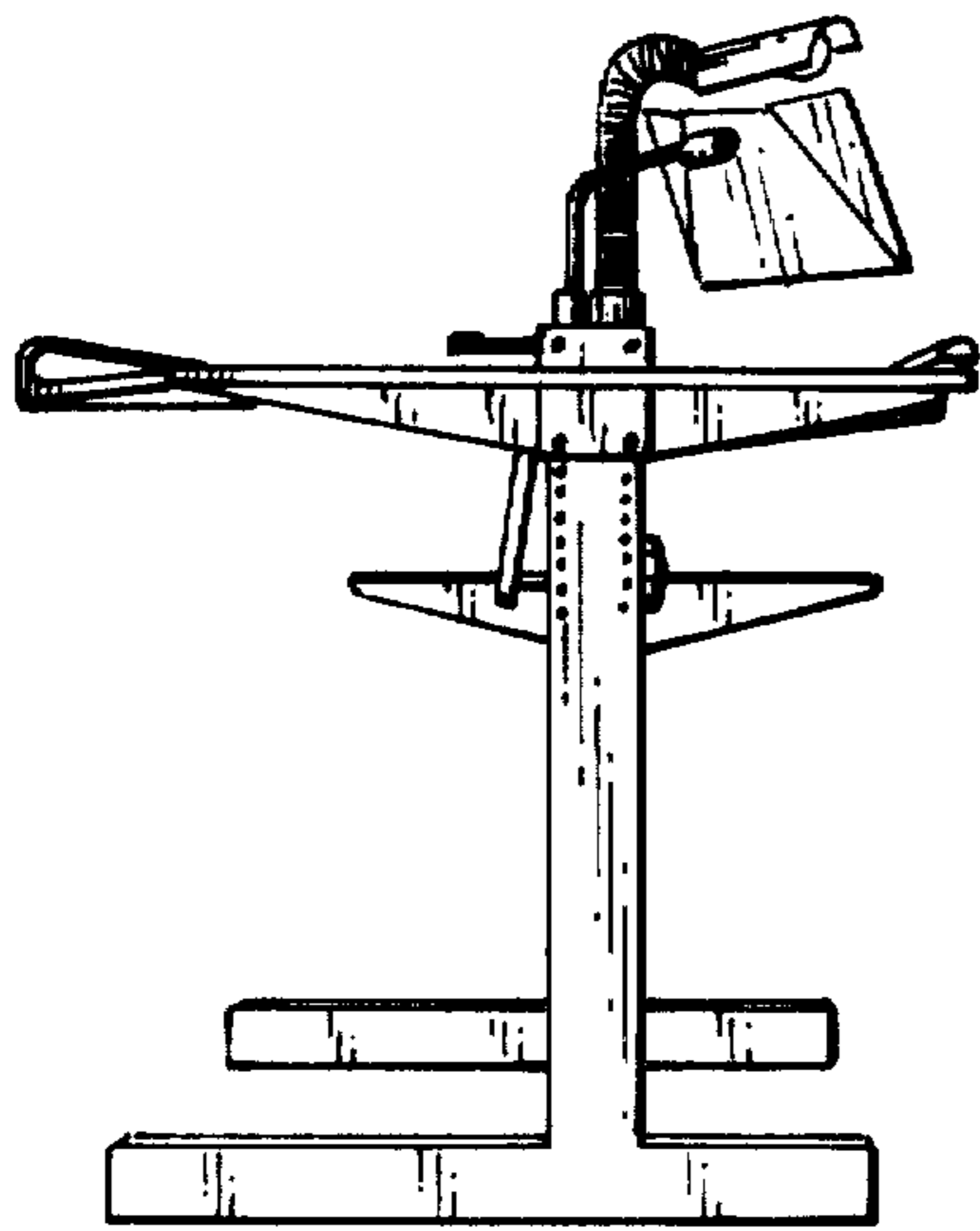


FIG. 4

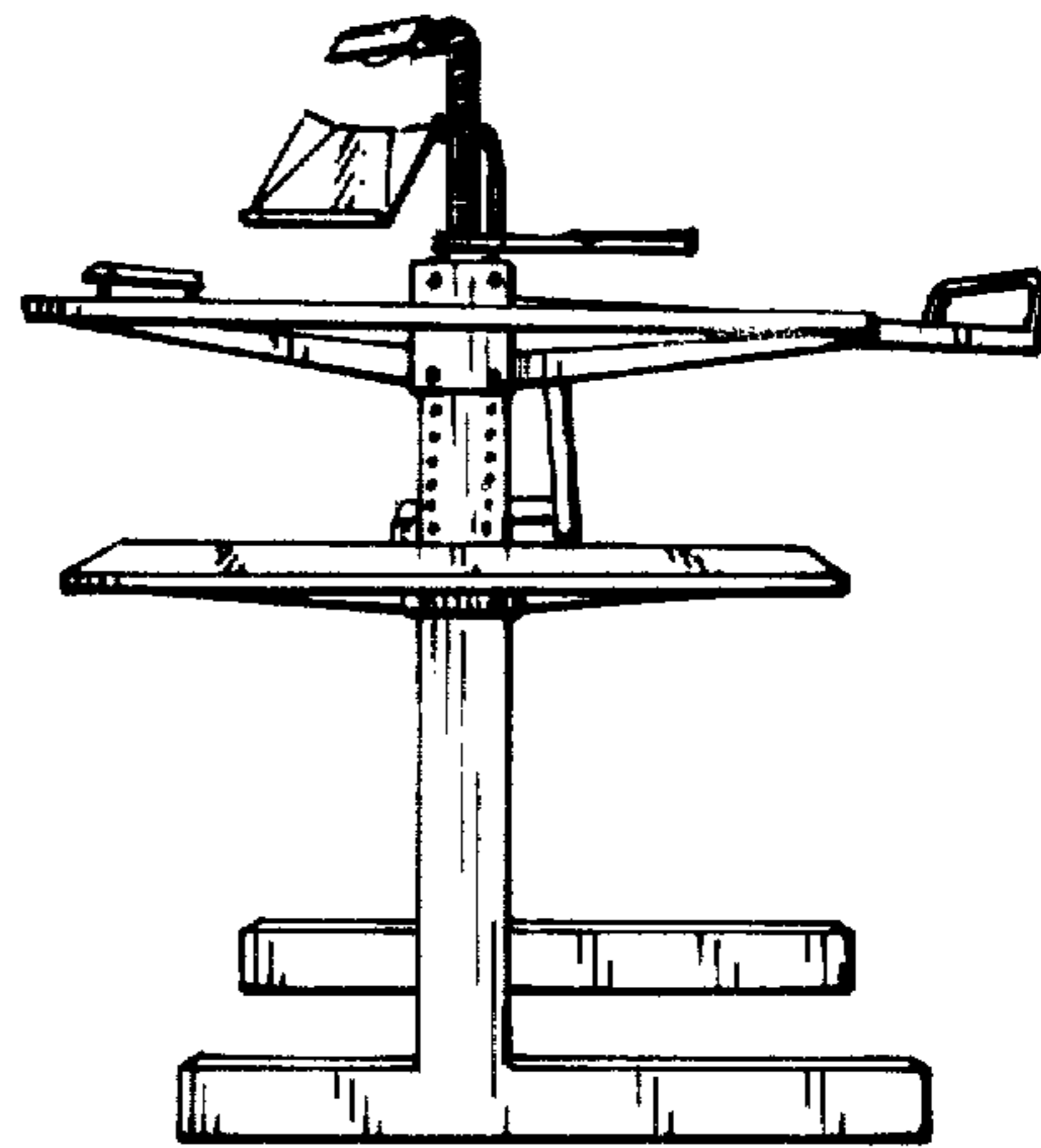


FIG. 5

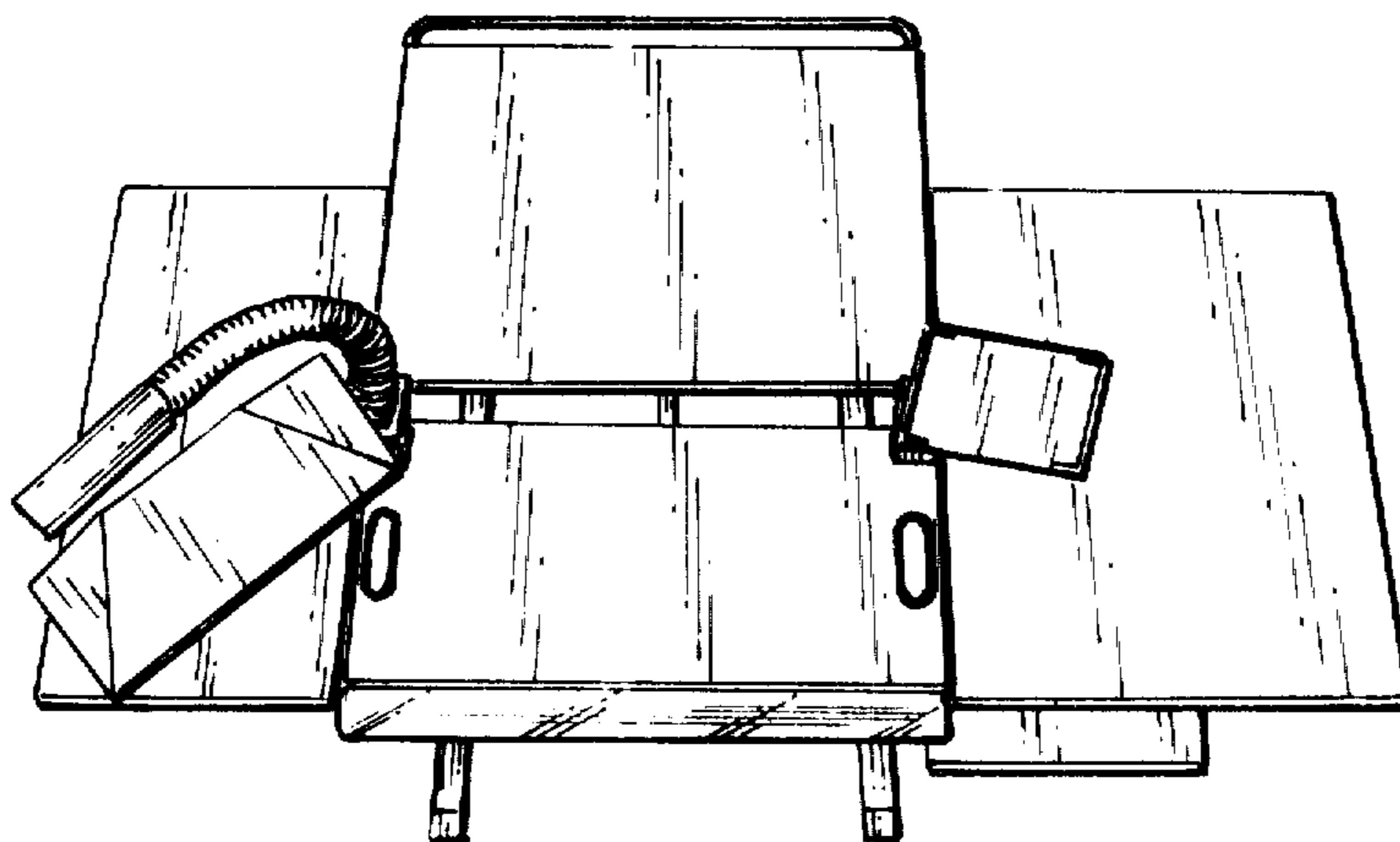


FIG. 6