

[54] RACKET HOLDER

[76] Inventor: B. Kay Wall, 5590 Militia Dr., Stone Mountain, Ga. 30083

[\*\*] Term: 14 Years

[21] Appl. No.: 233,503

[22] Filed: Feb. 11, 1981

[51] Int. Cl. D6-06; D8-08

[52] U.S. Cl. D6/125; D6/88; D6/114; D8/373

[58] Field of Search D6/86, 88, 114, 125; D8/373; 211/13, 60 R, 60 T, 87; 248/309 R, 311.2, 312

[56] References Cited

U.S. PATENT DOCUMENTS

- D. 241,392 9/1976 Taylor D6/125
- D. 245,053 7/1977 Domansky D6/114

- D. 245,214 8/1977 Allen D6/125
- D. 247,148 2/1978 Dicks et al. D6/125
- D. 254,881 5/1980 Pyskaty D8/373
- D. 257,193 10/1980 Glage D6/114

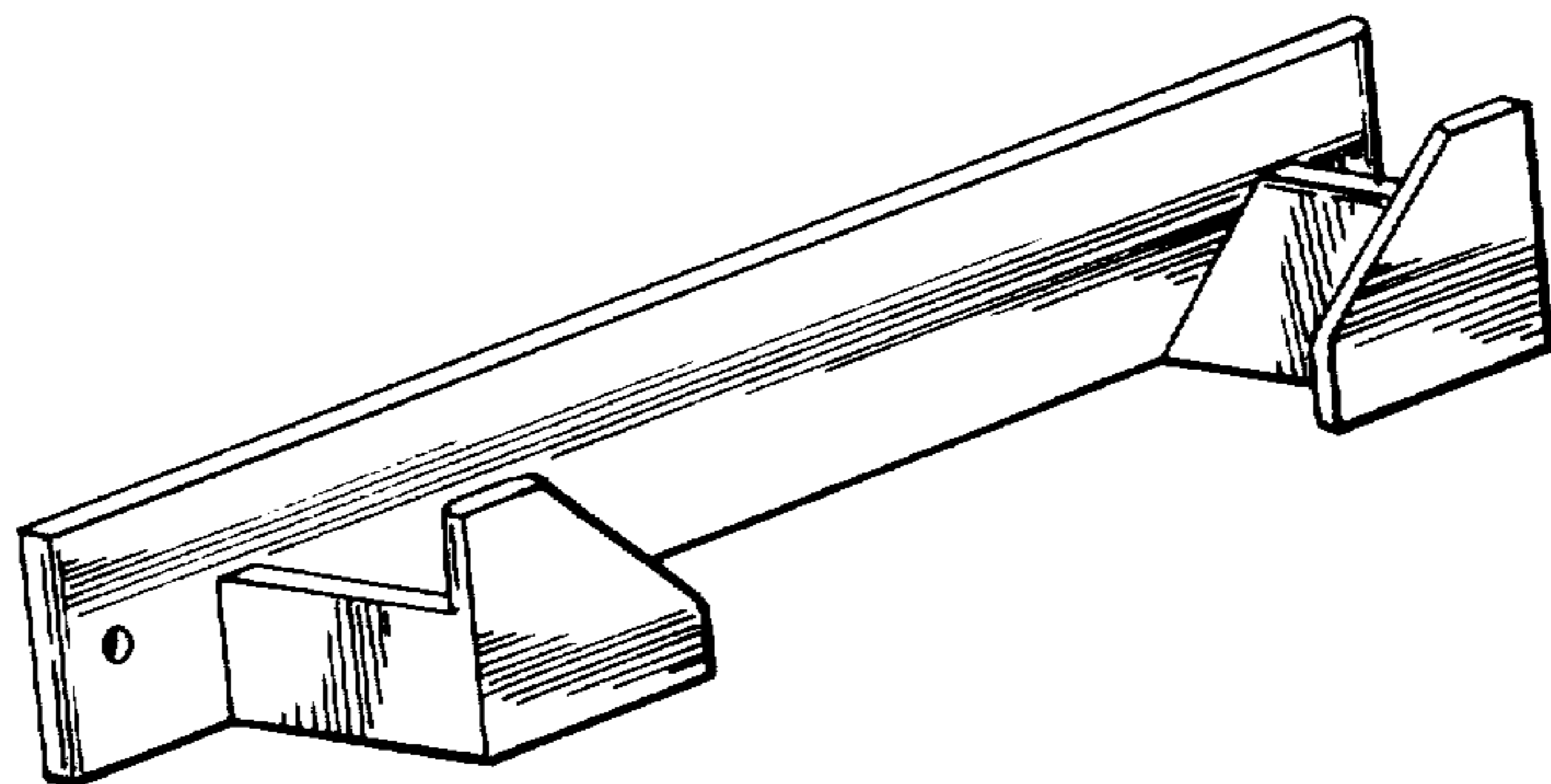
Primary Examiner—B. J. Bullock  
Attorney, Agent, or Firm—Jones & Askew

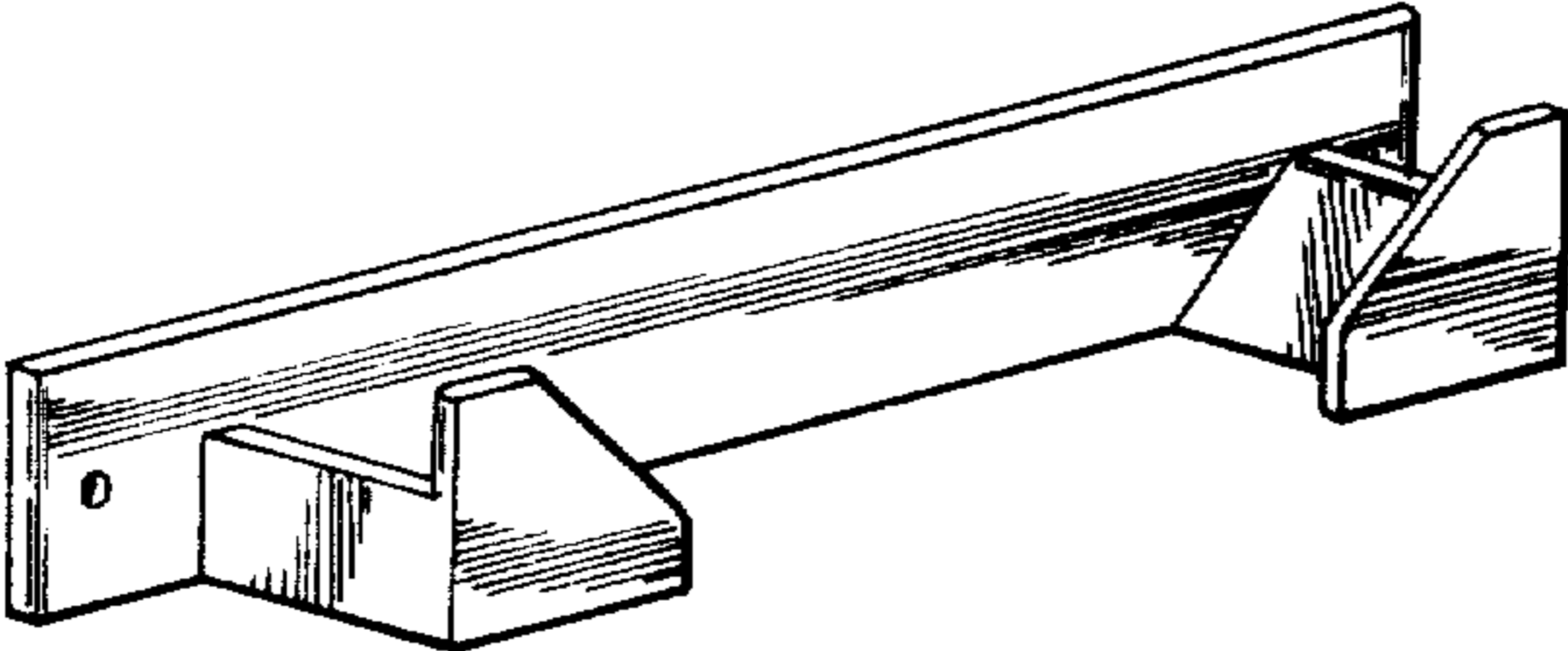
[57] CLAIM

The ornamental design for a racket holder, substantially as shown and described.

DESCRIPTION

FIG. 1 is a reduced perspective view of a racket holder showing my new design;  
 FIG. 2 is a side elevational view taken from the right of FIG. 1, the side opposite being a mirror image thereof;  
 FIG. 3 is a top plan view thereof;  
 FIG. 4 is a front elevational view thereof;  
 FIG. 5 is a bottom plan view thereof; and  
 FIG. 6 is a rear elevational view thereof.

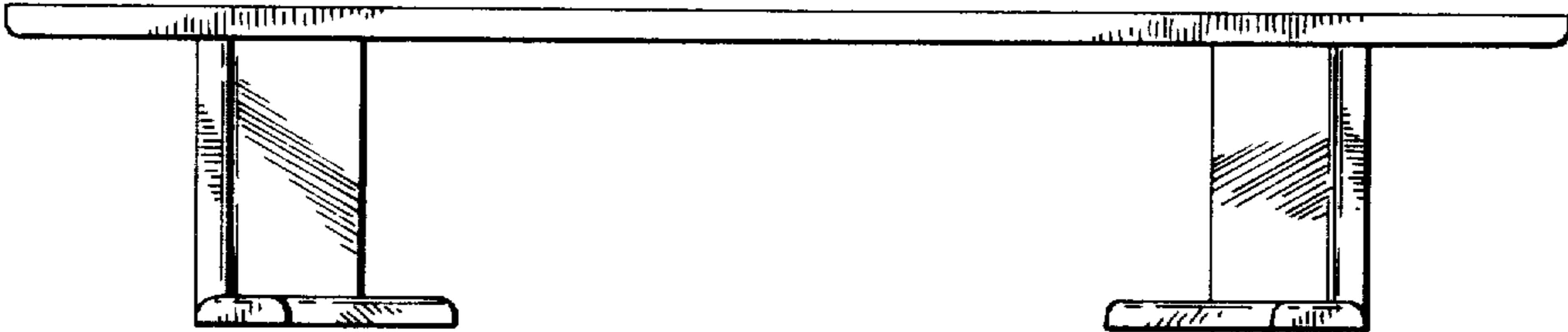




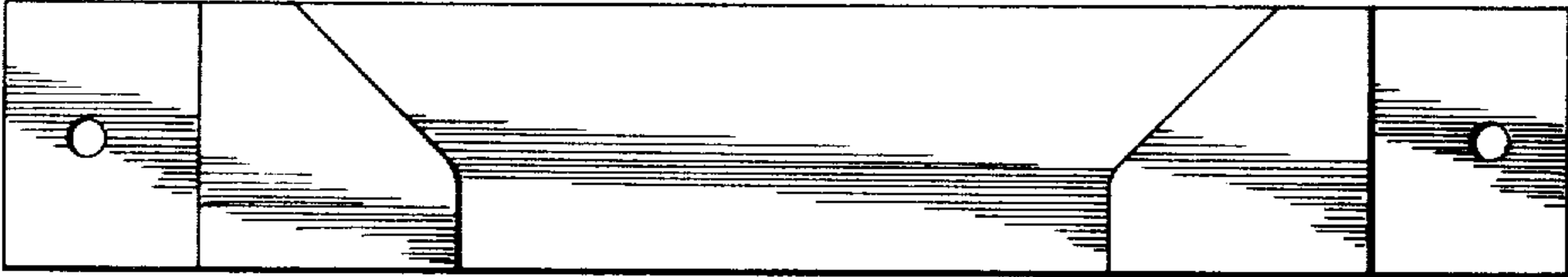
**Fig. 1**



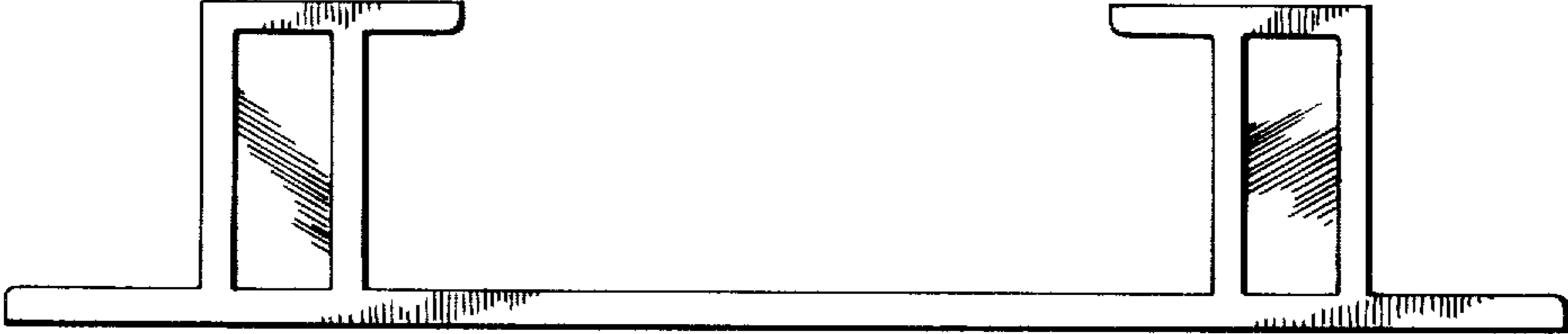
**Fig. 2**



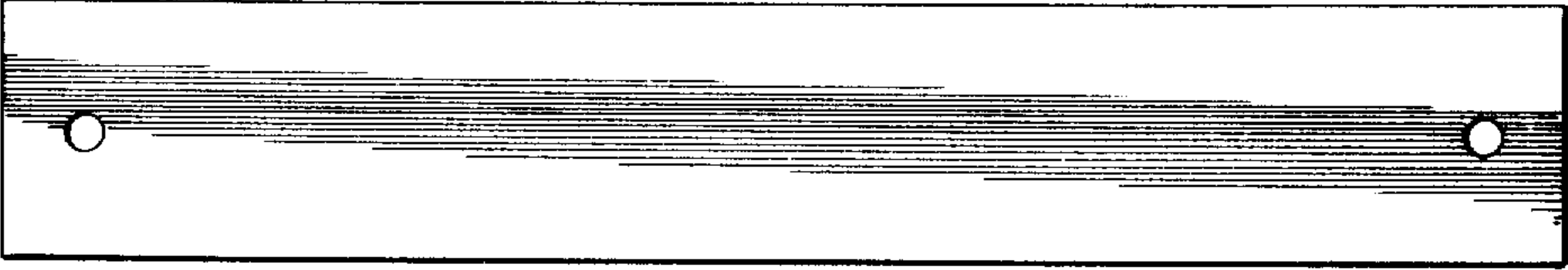
**Fig. 3**



**Fig. 4**



**Fig. 5**



**Fig. 6**