

[54] TOOL ORGANIZER

[76] Inventor: Humphrey Morton, Rte. 4, Box 450, Danville, Va. 24541

[**] Term: 14 Years

[21] Appl. No.: 232,664

[22] Filed: Feb. 9, 1981

[51] Int. Cl. D3-02

[52] U.S. Cl. D3/74; D3/30.1; D6/130; D6/131; D6/186

[58] Field of Search D3/30.1, 74; D6/114, D6/130, 131, 186, 188; 248/113; 312/DIG. 33

[56] References Cited

U.S. PATENT DOCUMENTS

D. 155,024 8/1949 Mozneck D6/130

D. 227,727	7/1973	Beder	D6/130
D. 242,098	11/1976	Leopold	D6/131
D. 250,974	1/1979	Donley	D3/30.1
D. 257,090	9/1980	King, Jr.	D6/131
4,140,222	2/1979	Francavilla	D6/131

Primary Examiner—George P. Word

[57] CLAIM

The ornamental design for a tool organizer, as shown and described.

DESCRIPTION

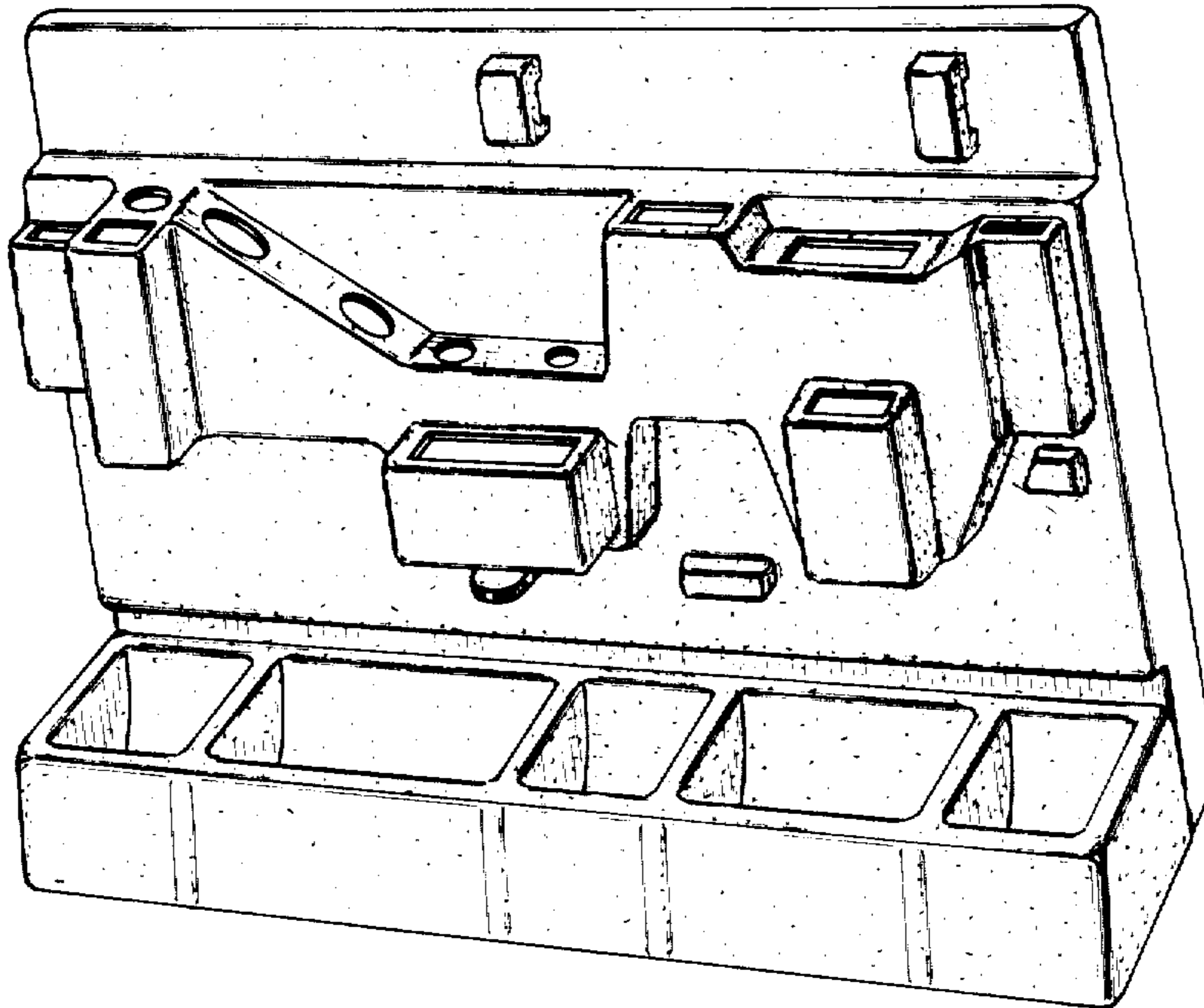
FIG. 1 is a perspective view of a tool organizer showing my new design;

FIG. 2 is a front elevational view thereof;

FIG. 3 is a top plan view thereof;

FIG. 4 is a right side elevational view thereof; and

FIG. 5 is a rear elevational view thereof.



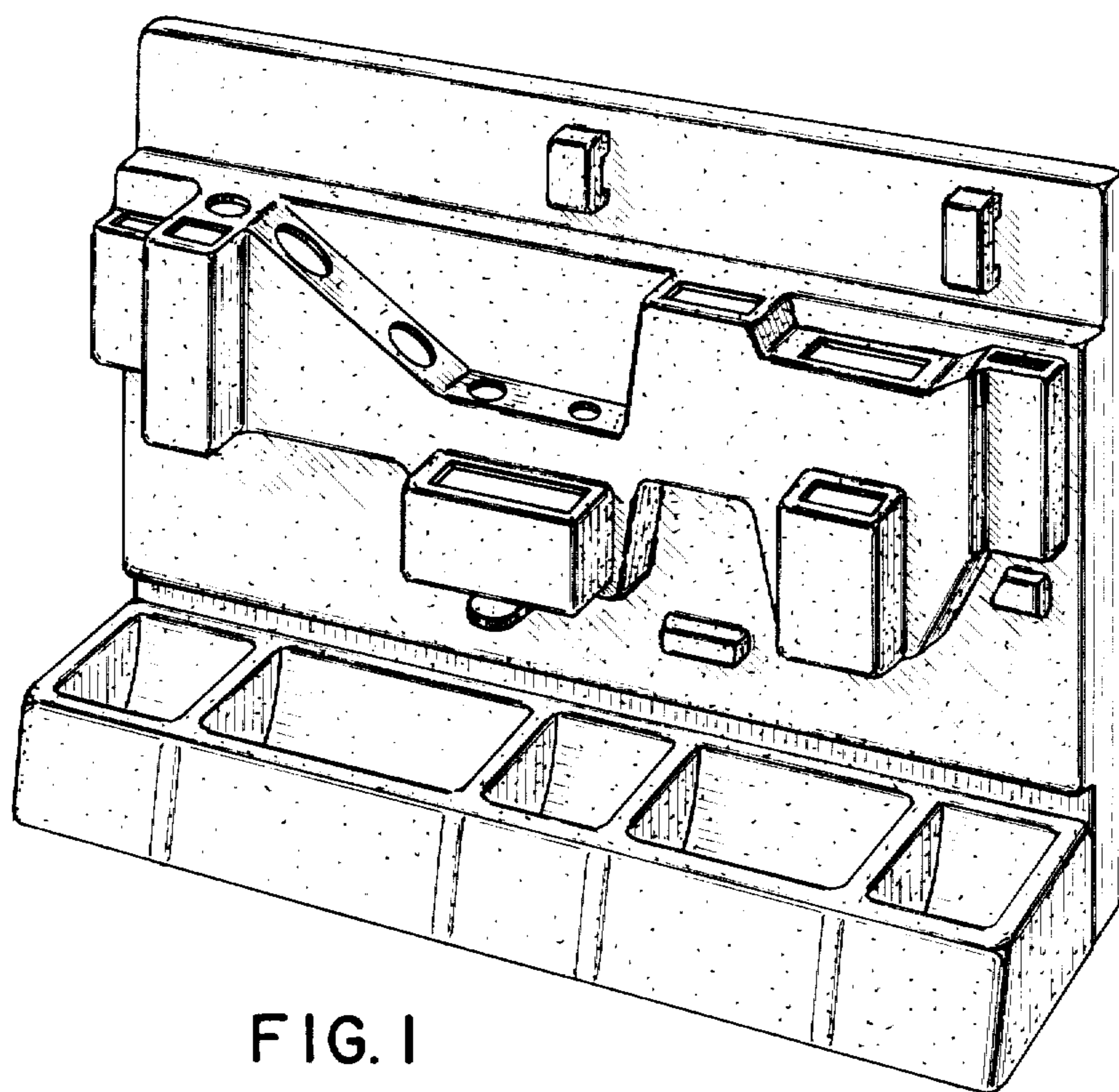


FIG. 1

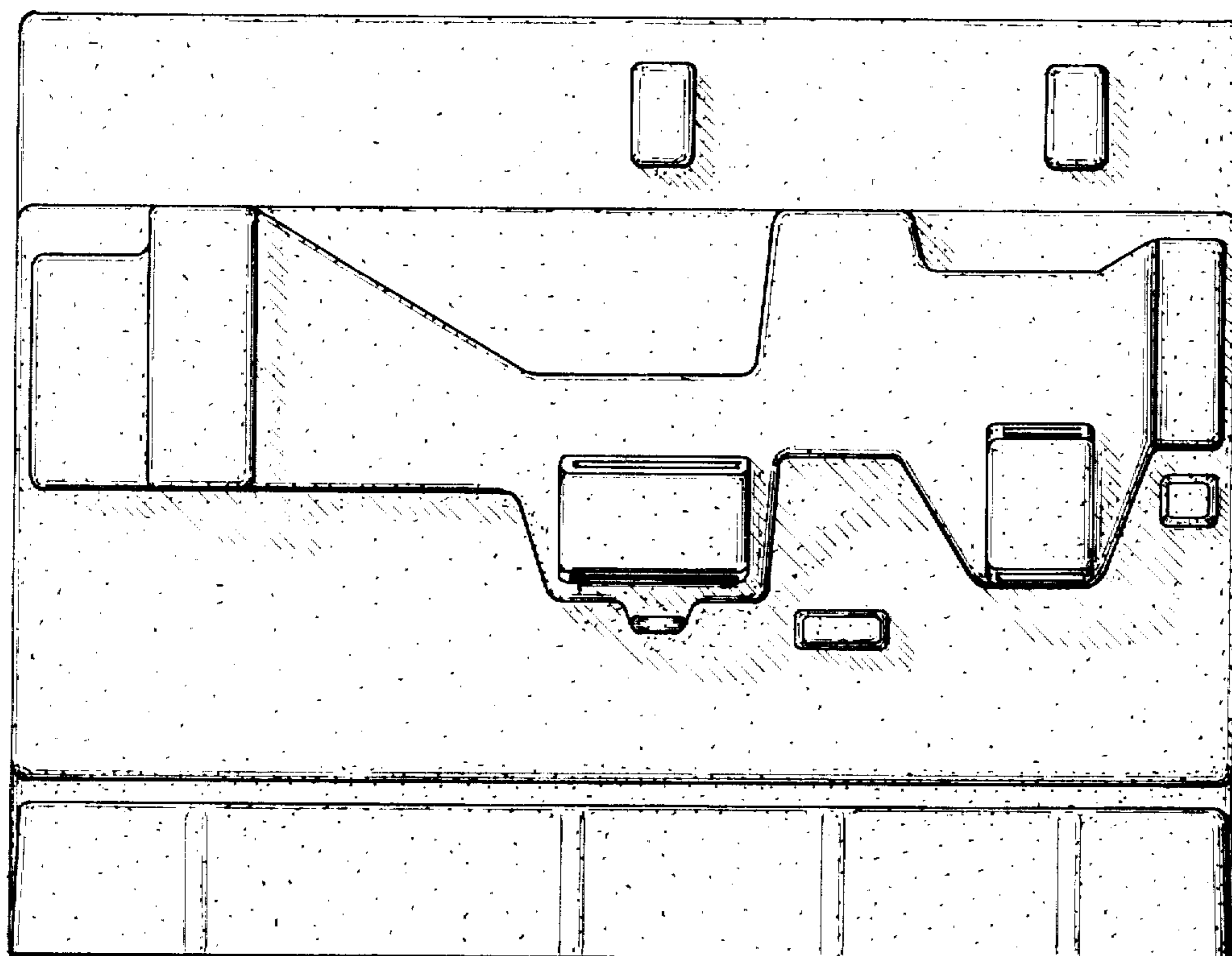


FIG. 2

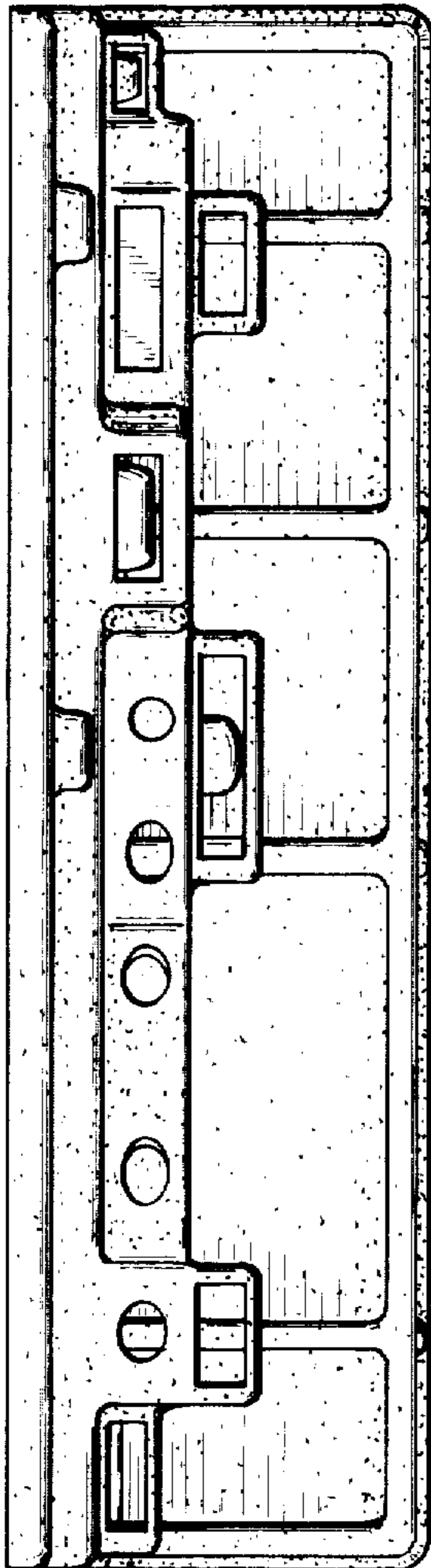


FIG. 3

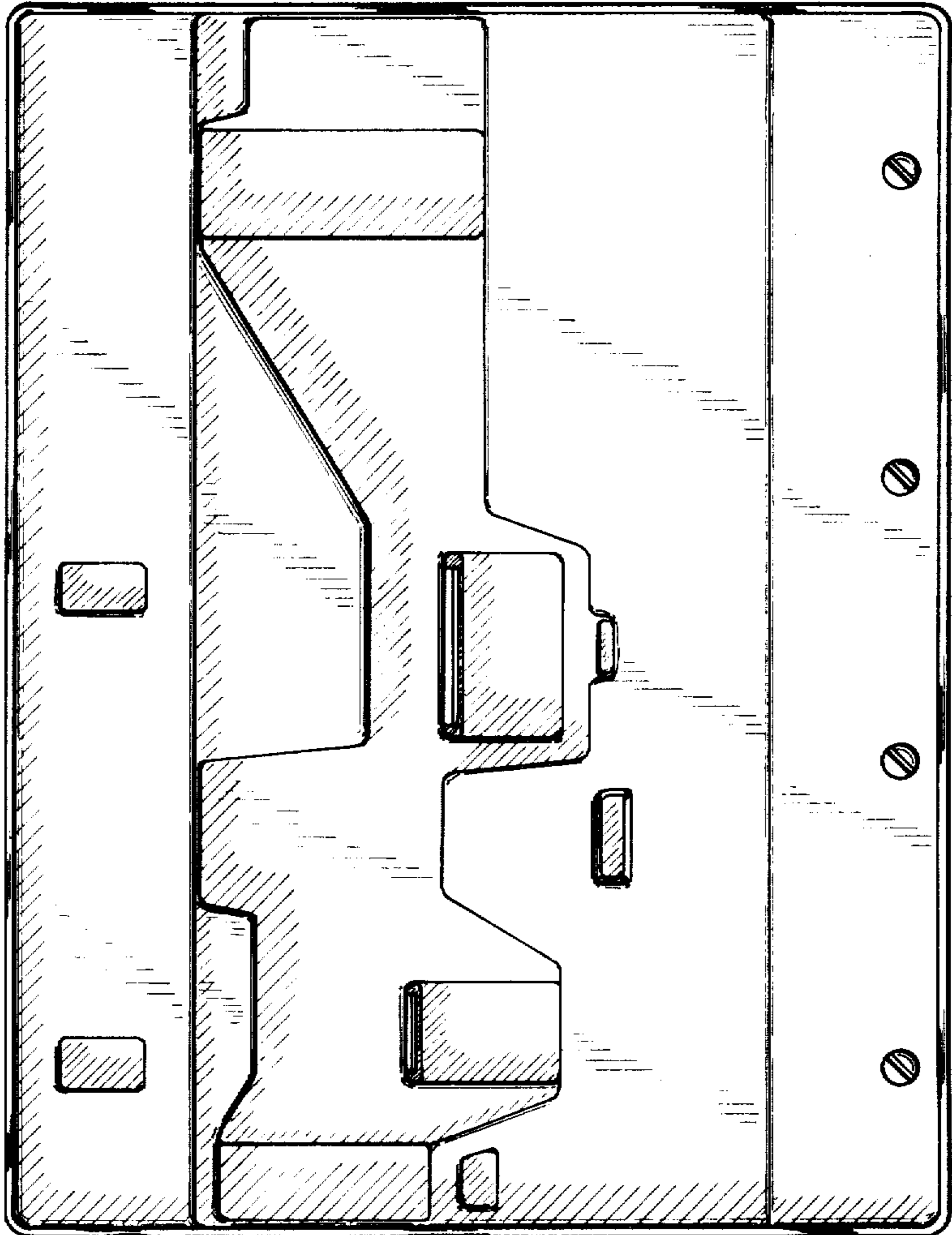


FIG. 5

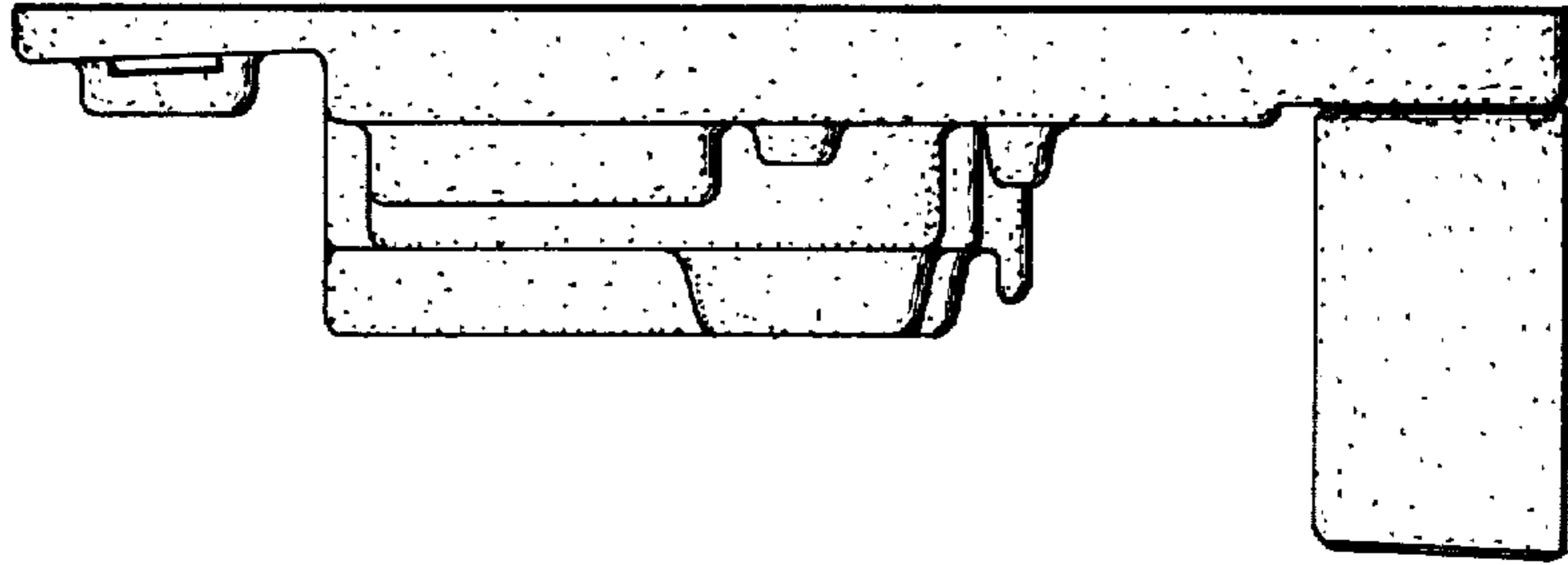


FIG. 4