

[54] **GARMENT BAG**

- [75] Inventor: **Ted Stark**, Jersey City, N.J.
[73] Assignee: **M & M Luggage Co., Inc.**, Jersey City, N.J.
[**] Term: **14 Years**
[21] Appl. No.: **231,423**
[22] Filed: **Feb. 4, 1981**
[51] Int. Cl. **D3—01**
[52] U.S. Cl. **D3/71; D3/76; D3/77**
[58] Field of Search **D3/30.1, 48, 71, 76, D3/77, 74; 190/41.2, 51, 52, 41 R, 43, 41 B**

[56] **References Cited**

U.S. PATENT DOCUMENTS

- D. 256,594 8/1980 Tawil **D3/76**
D. 257,915 1/1981 Katz et al. **D3/71**

OTHER PUBLICATIONS

Luggage & Travelware 4/77, p. 24, left center.
Luggage & Travelware 6/77, p. 2 left center "A".
Luggage & Travelware 1/80, bottom right.

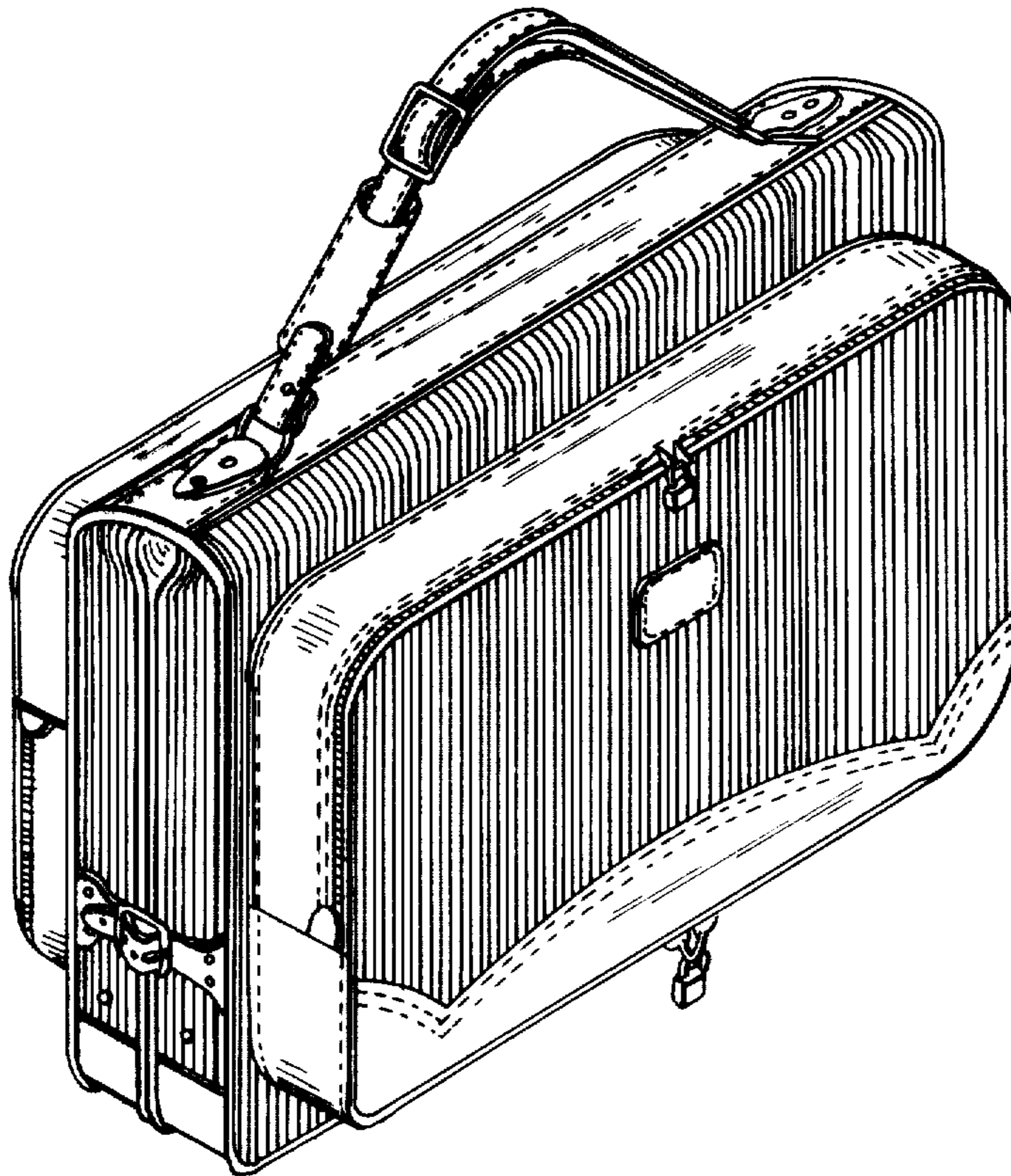
Primary Examiner—George P. Word
Attorney, Agent, or Firm—Hubbell, Cohen, Stiefel & Gross

[57] **CLAIM**

The ornamental design for a garment bag, substantially as shown and described.

DESCRIPTION

FIG. 1 is a perspective view of a garment bag showing my new design;
FIG. 2 is a bottom rear perspective view thereof;
FIG. 3 is a plan view showing the exterior of the garment bag in its unfolded state; and
FIG. 4 is a plan view showing the interior of the garment bag in its open or unfolded state.



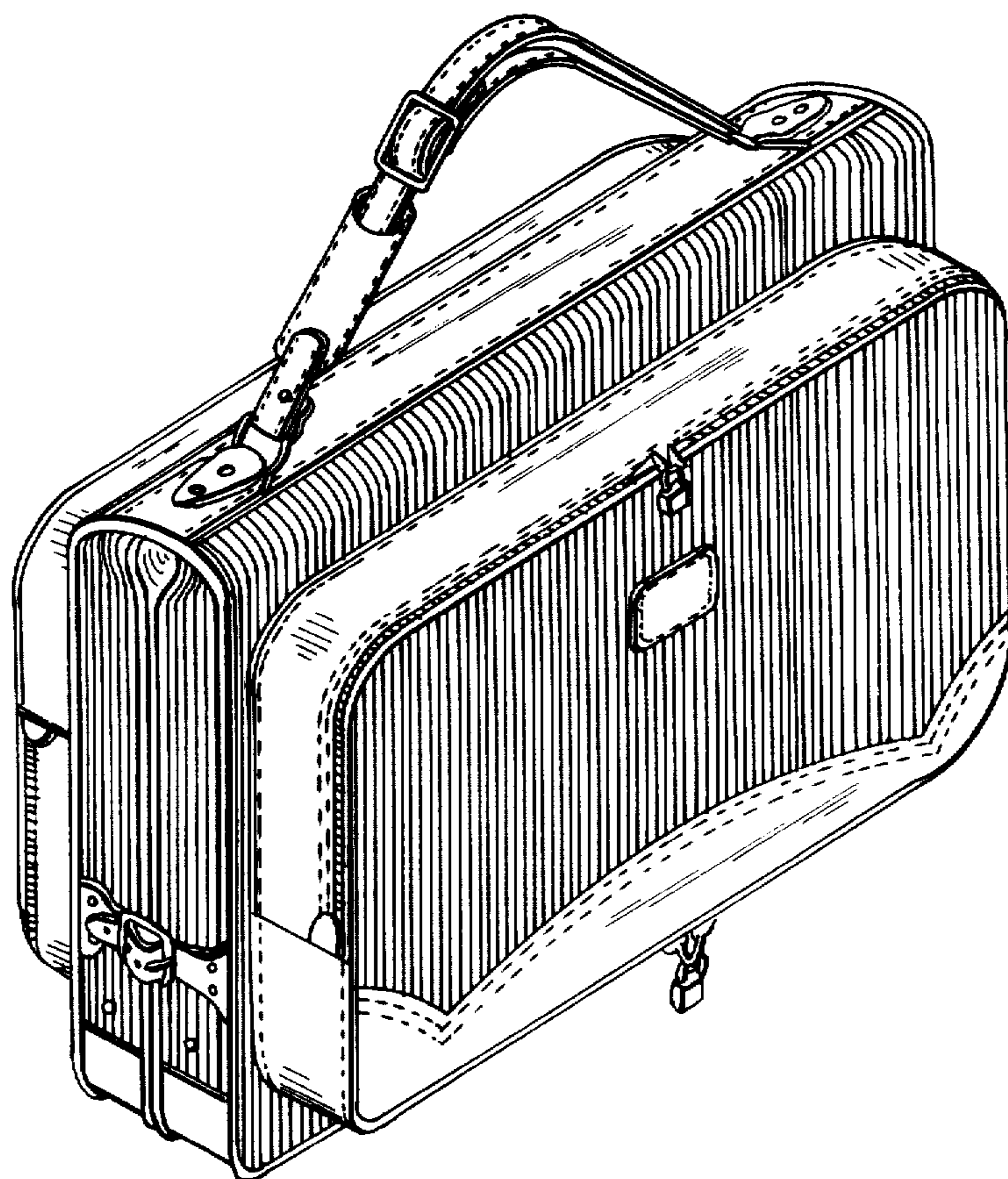


FIG. 1

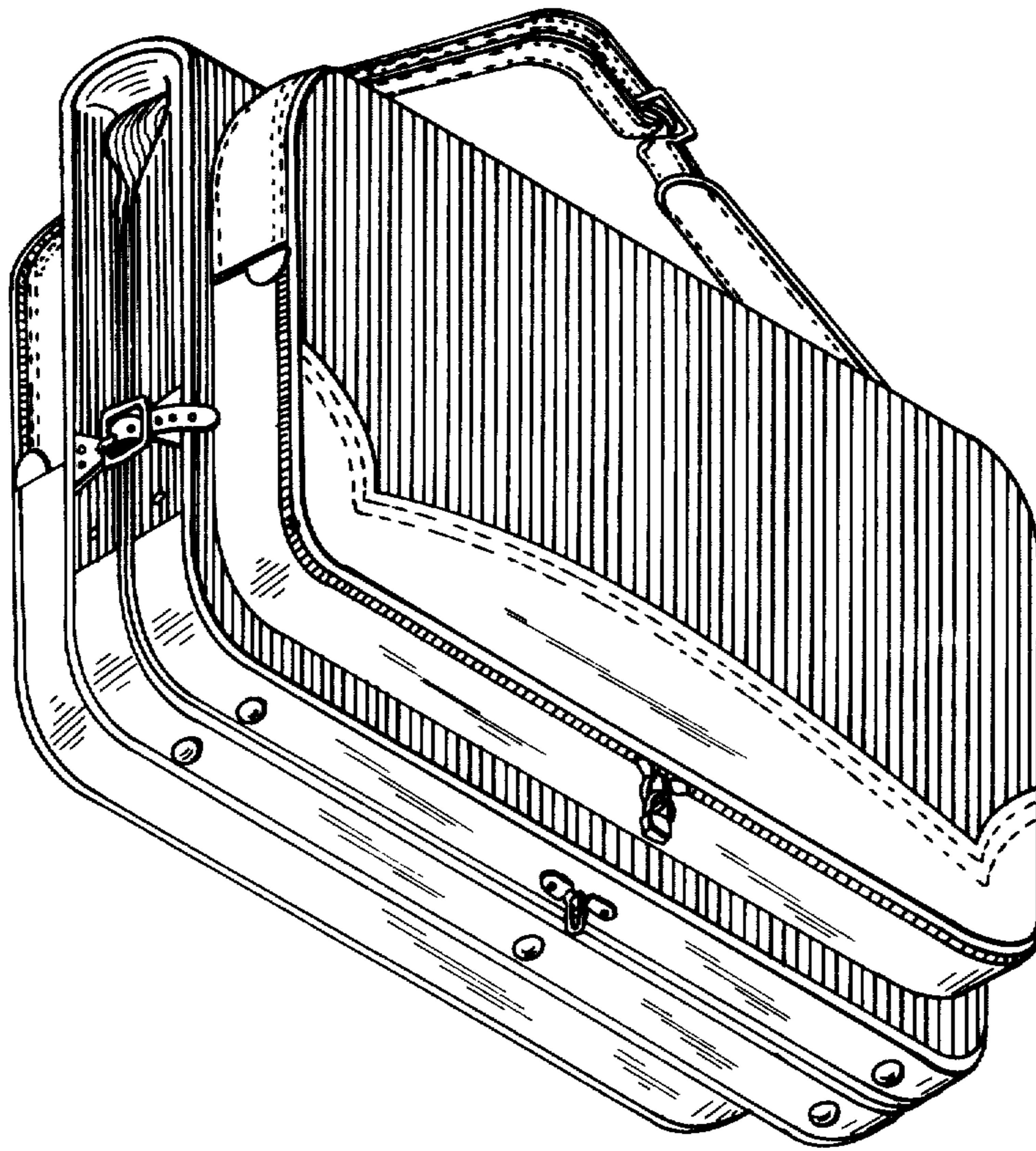


FIG. 2

FIG. 4

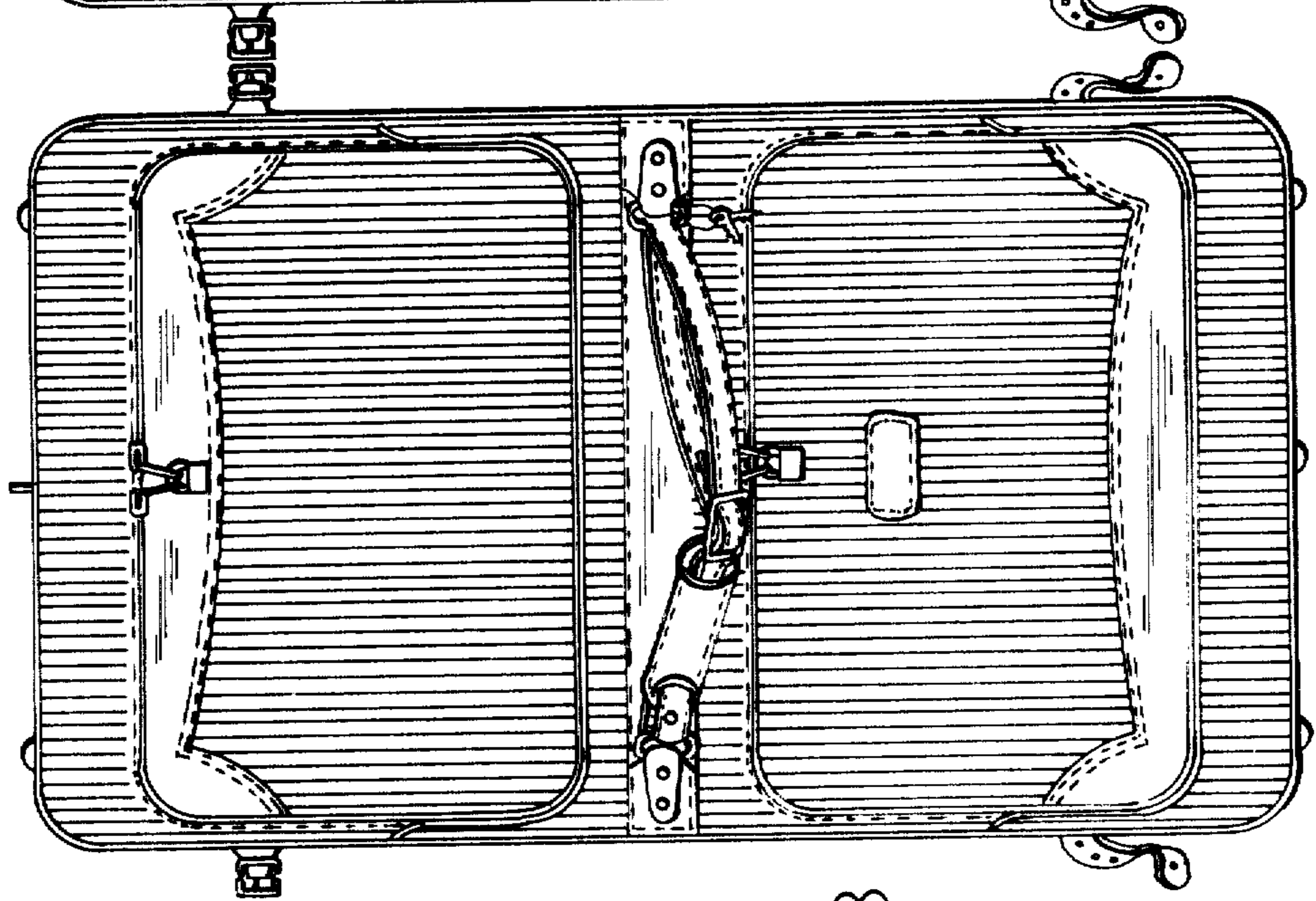
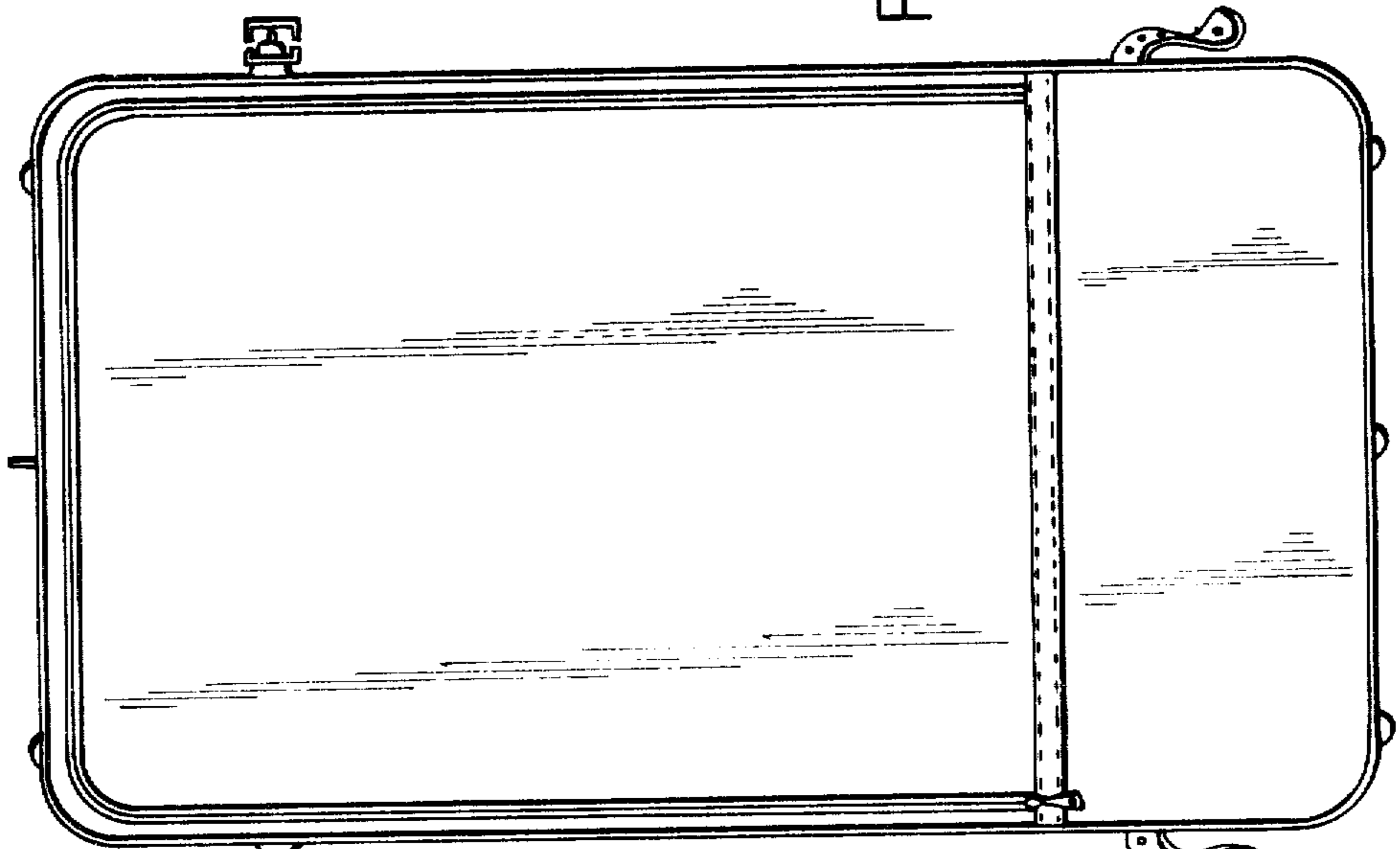


FIG. 3