

[54] **SECTION FOR USE IN A DISPLAY APPARATUS**

[75] **Inventor:** Thorp C. Cowdroy, Sydney, Australia

[73] **Assignee:** Clive Investments Pty. Ltd., Australia

[**] **Term:** 14 Years

[21] **Appl. No.:** 220,570

[22] **Filed:** Dec. 29, 1980

[51] **Int. Cl.** D25/01

[52] **U.S. Cl.** D25/74

[58] **Field of Search** 52/720, 738, 721, 282, 52/243

[56] **References Cited**

U.S. PATENT DOCUMENTS

3,159,250	12/1964	Wilson	52/738 X
3,566,561	3/1971	Tozer	52/720 X
3,782,048	1/1974	Corman	52/738
3,866,364	2/1975	Pollard	52/738 X

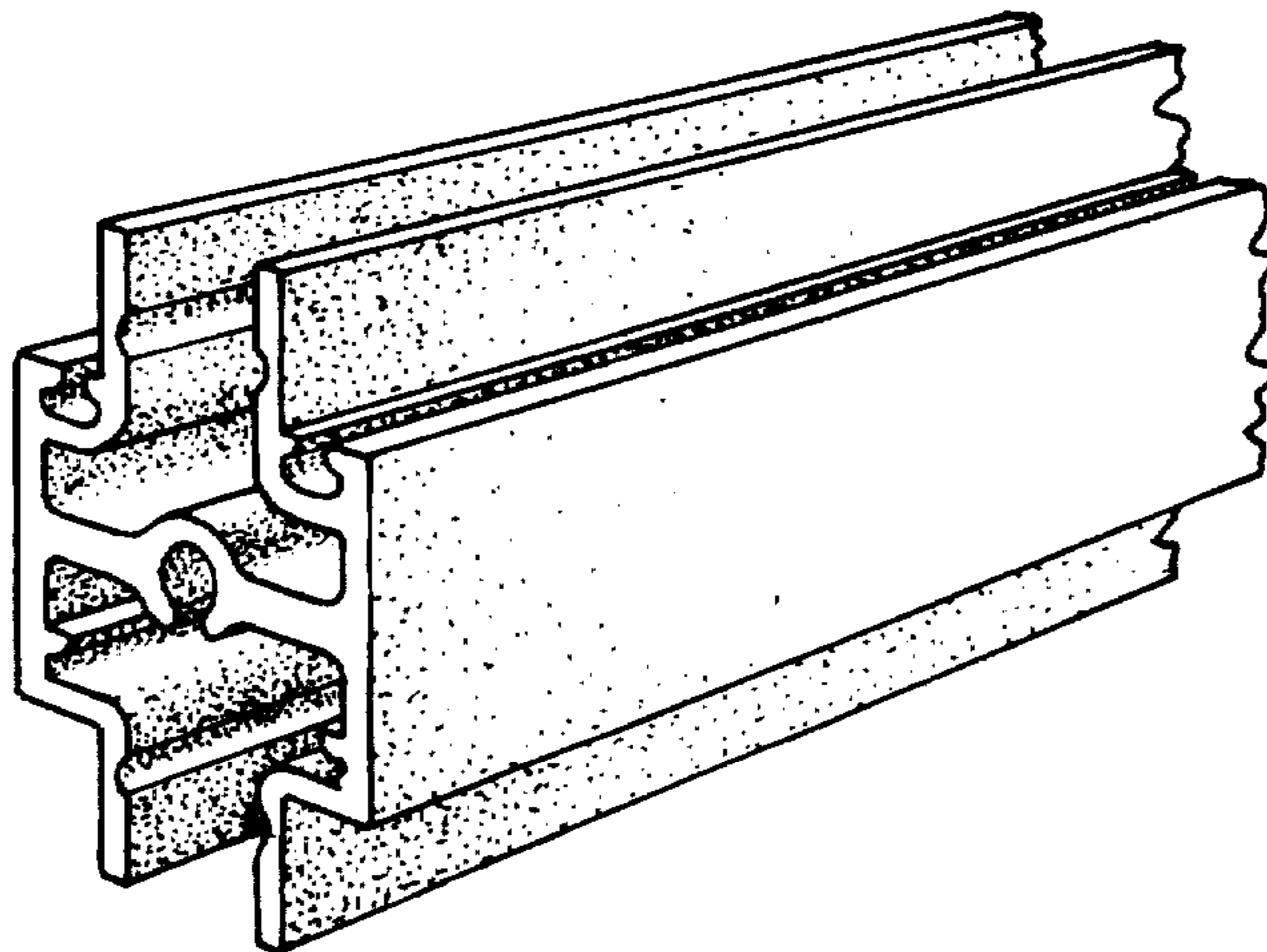
Primary Examiner—A. Hugo Word
Attorney, Agent, or Firm—Beveridge, De Grandi & Kline

[57] **CLAIM**

The ornamental design for a section for use in a display apparatus, substantially as shown.

DESCRIPTION

FIG. 1 is a perspective view; and FIG. 2 is an end view of a section for use in a display apparatus of indeterminate length embodying this design.



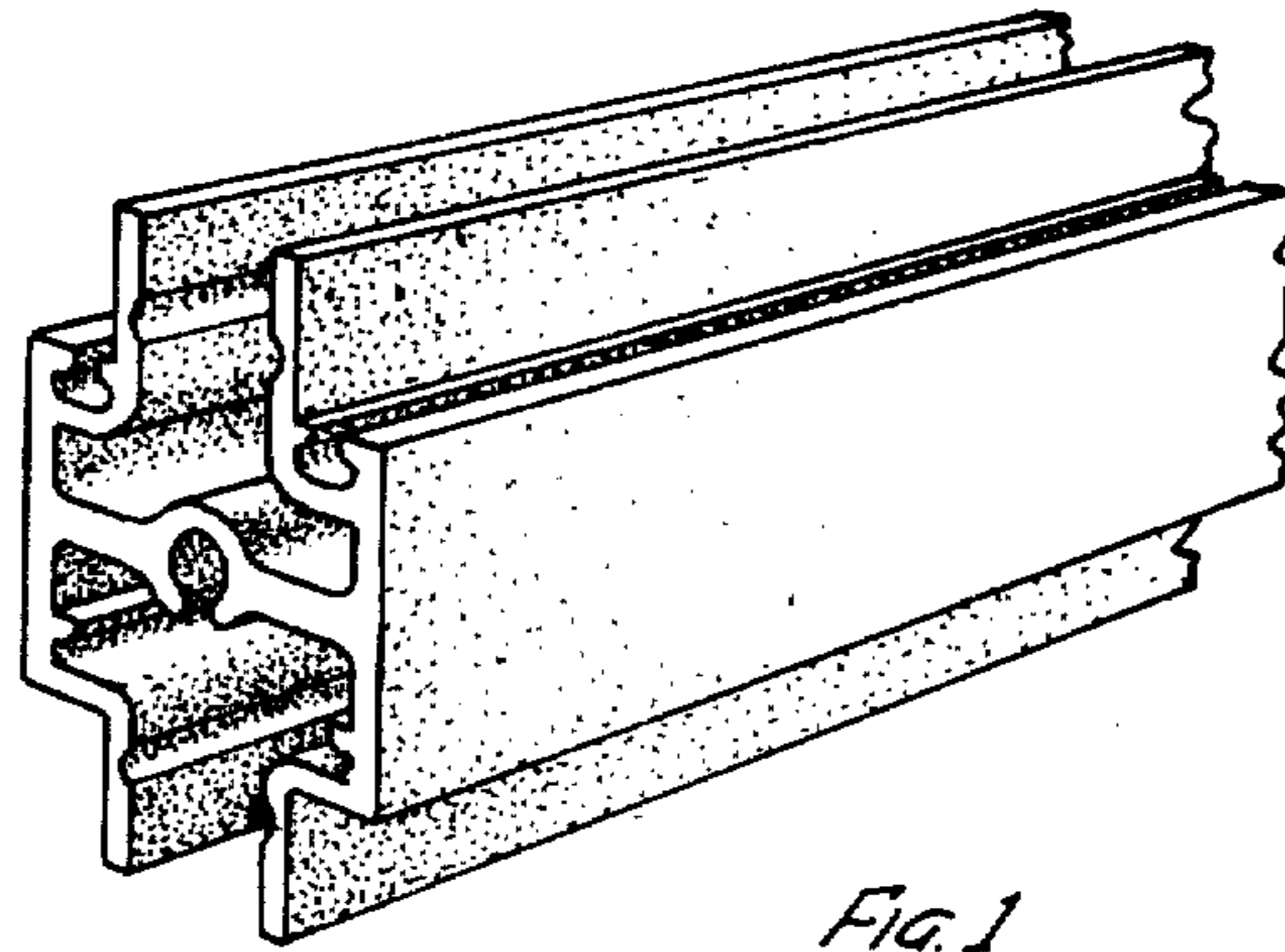


Fig. 1

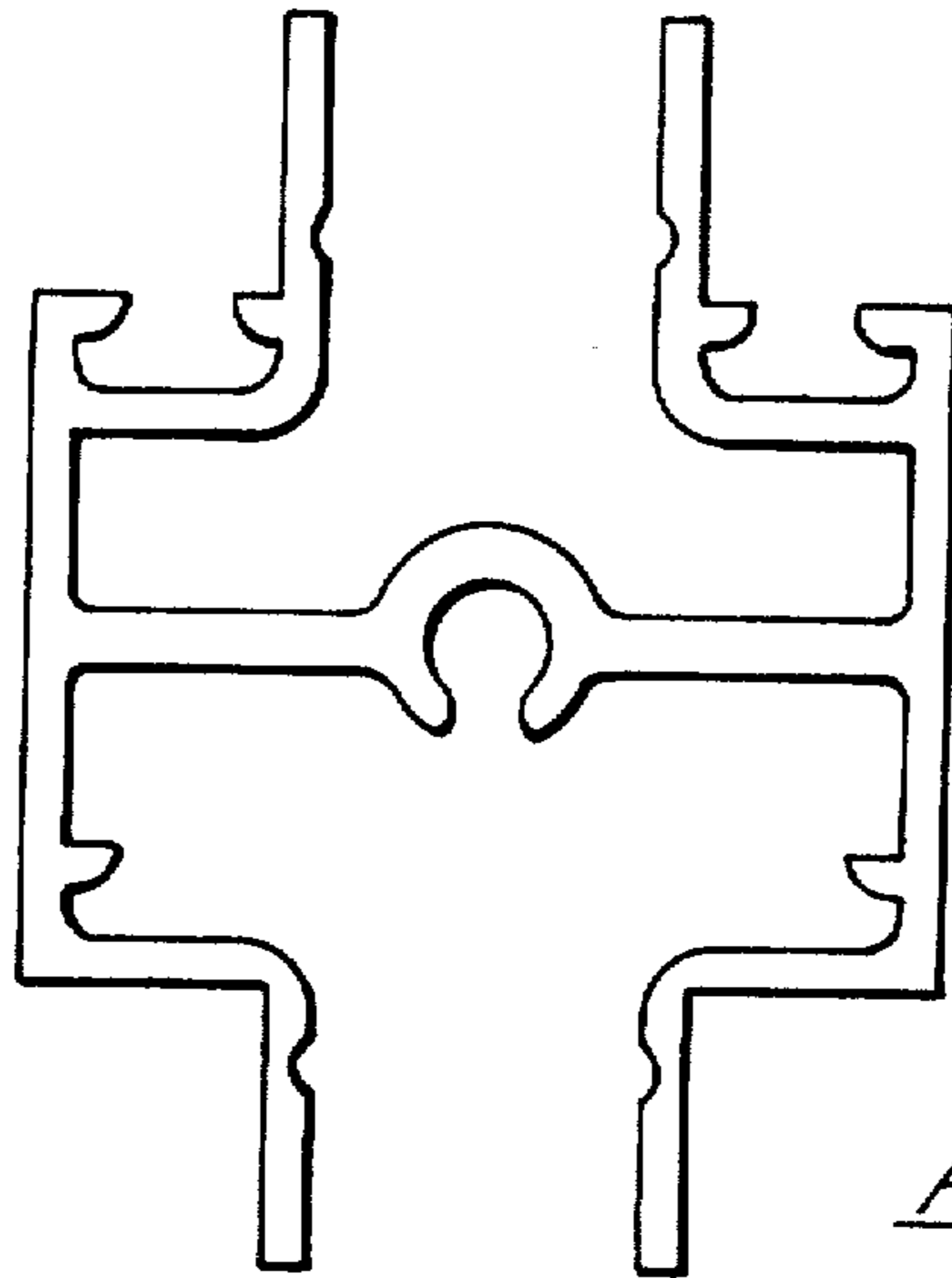


FIG. 2