

- [54] **ULTRAVIOLET LAMP**
- [75] **Inventor:** Armando Boschetti, Bryan, Ohio
- [73] **Assignee:** Paul B. Elder Company, Bryan, Ohio
- [\*\*] **Term:** 14 Years
- [21] **Appl. No.:** 961,216
- [22] **Filed:** Nov. 16, 1978
- [51] **Int. Cl.** ..... D24—04; D26—05;  
D24—68
- [52] **U.S. Cl.** ..... D24/68; D26/64
- [58] **Field of Search** ..... D26/24, 61, 62, 66,  
D26/64, 93, 107, 118, 128; 250/495; 362/217,  
218, 219, 220, 222, 223, 224, 317, 341-347, 410,  
413, 414, 418, 419, 426, 427; 128/396

[56] **References Cited**

**U.S. PATENT DOCUMENTS**

- D. 119,762 4/1940 Pieper ..... D26/63
- D. 169,312 4/1953 Goodrich ..... D26/64
- 1,232,908 7/1917 Feyrer ..... 362/413 X
- 1,430,827 10/1922 Moeckel ..... 362/410 X

2,327,346 8/1943 Furedy ..... 250/495

**FOREIGN PATENT DOCUMENTS**

378418 7/1964 Switzerland ..... 362/419

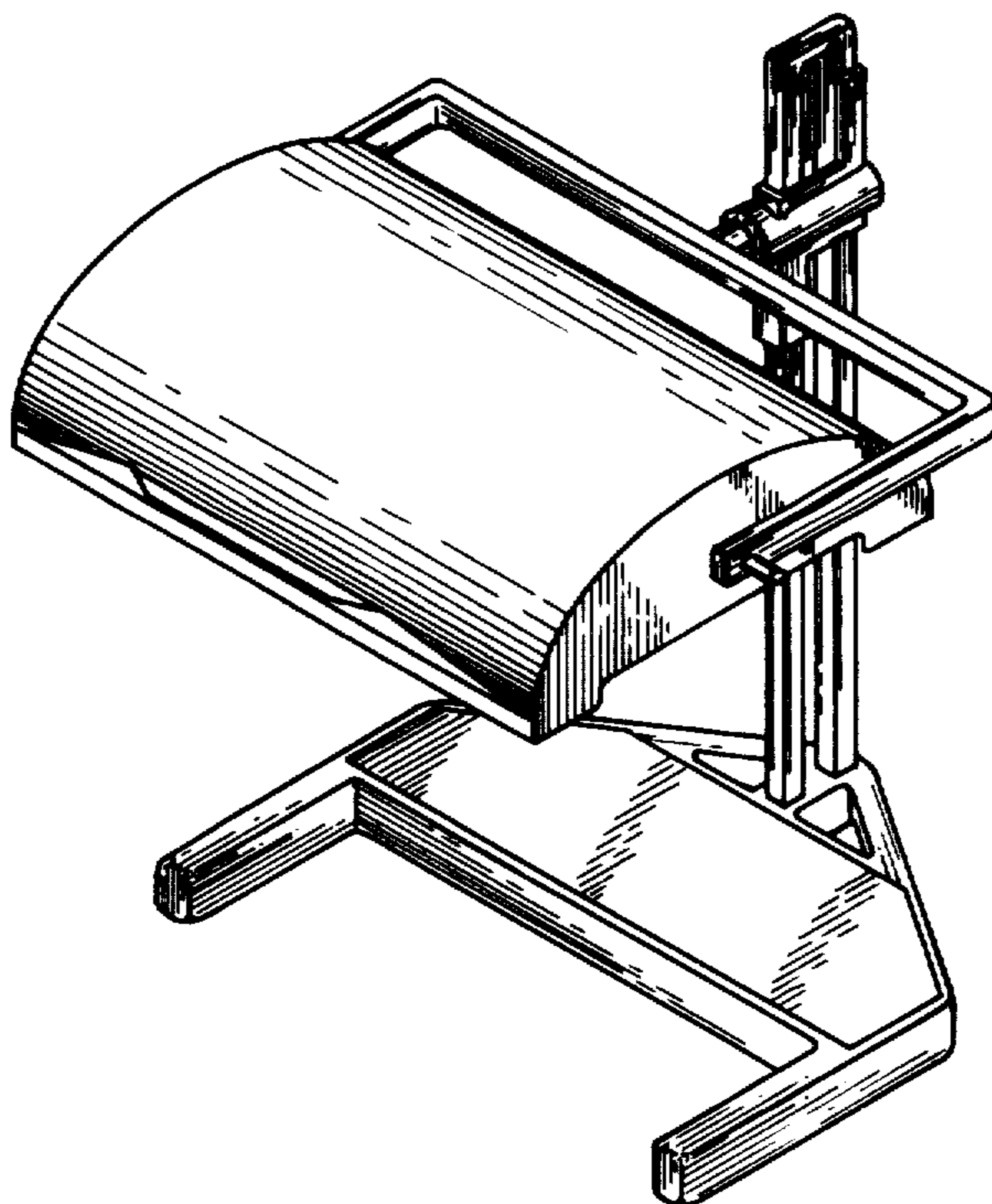
*Primary Examiner*—Susan J. Lucas  
*Attorney, Agent, or Firm*—Gordon W. Hueschen

[57] **CLAIM**

The ornamental design for an ultraviolet lamp, substantially as shown.

**DESCRIPTION**

- FIG. 1 is a top perspective view of an ultraviolet lamp embodying my new design.
- FIG. 2 is a bottom perspective view of an ultraviolet lamp embodying my new design.
- FIG. 3 is a top view of an ultraviolet lamp embodying my new design.
- FIG. 4 is a front view of an ultraviolet lamp embodying my new design.
- FIG. 5 is a side view of an ultraviolet lamp embodying my new design.
- FIG. 6 is a bottom view of an ultraviolet lamp embodying my new design.



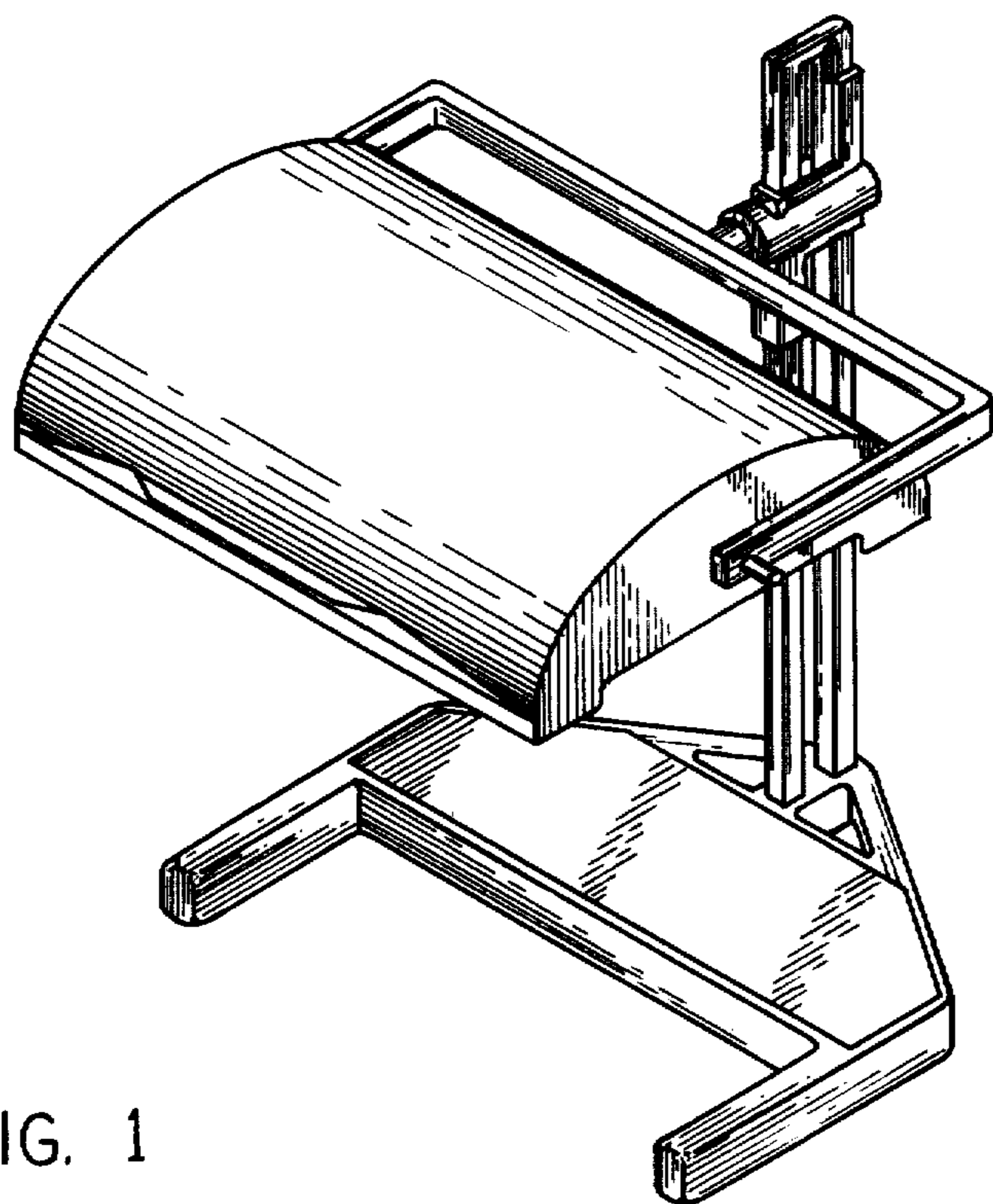


FIG. 1

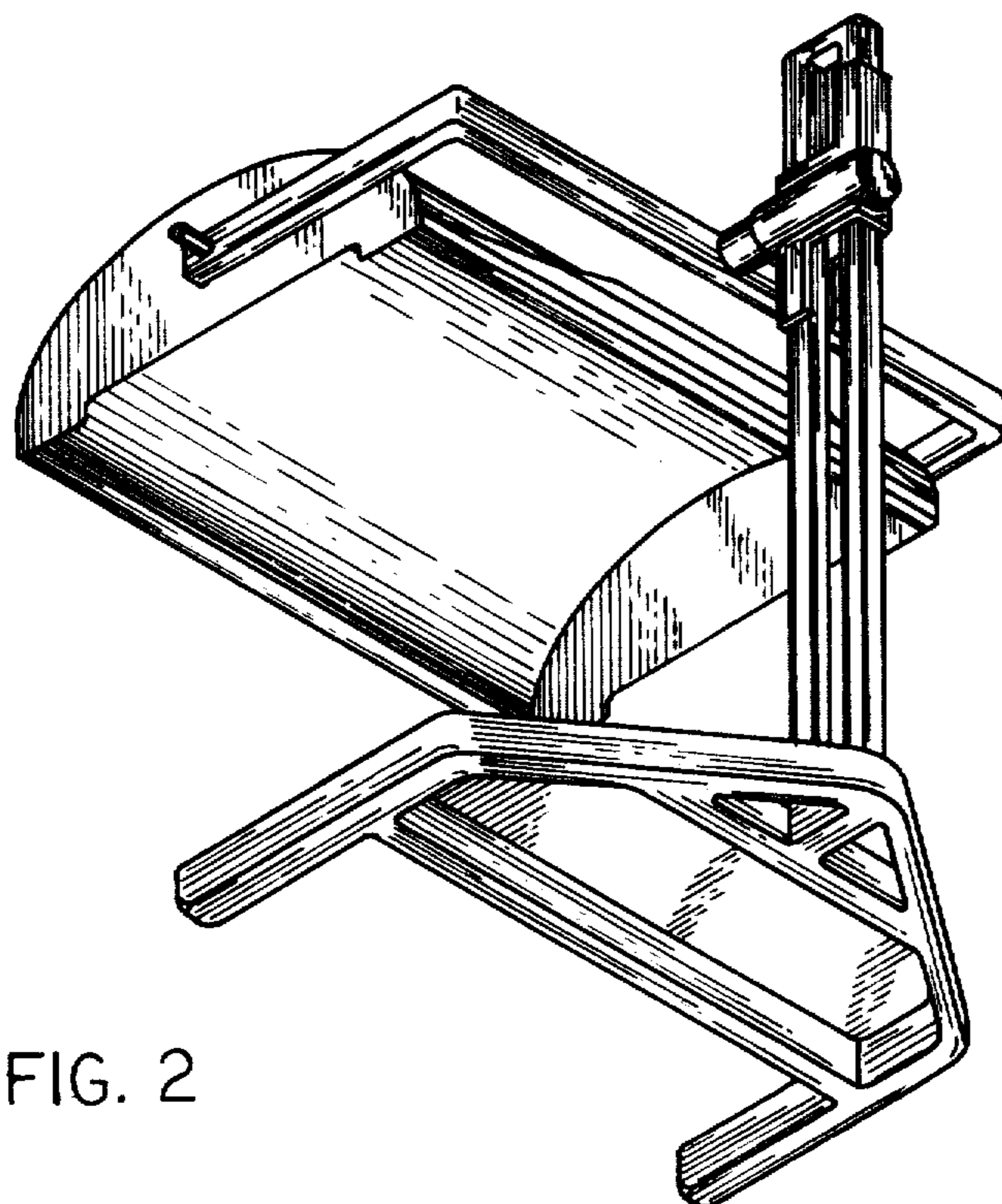


FIG. 2

FIG. 3

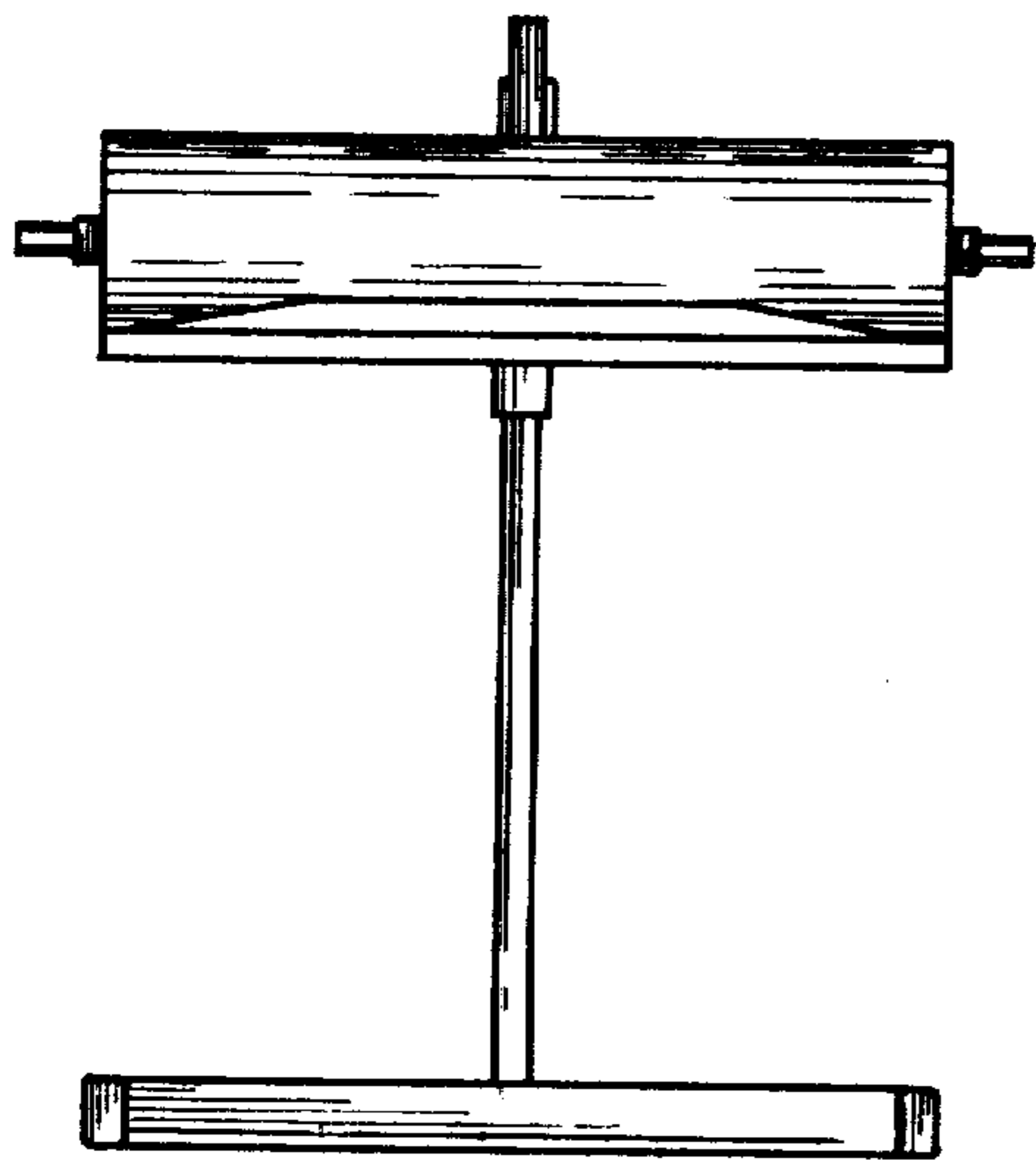
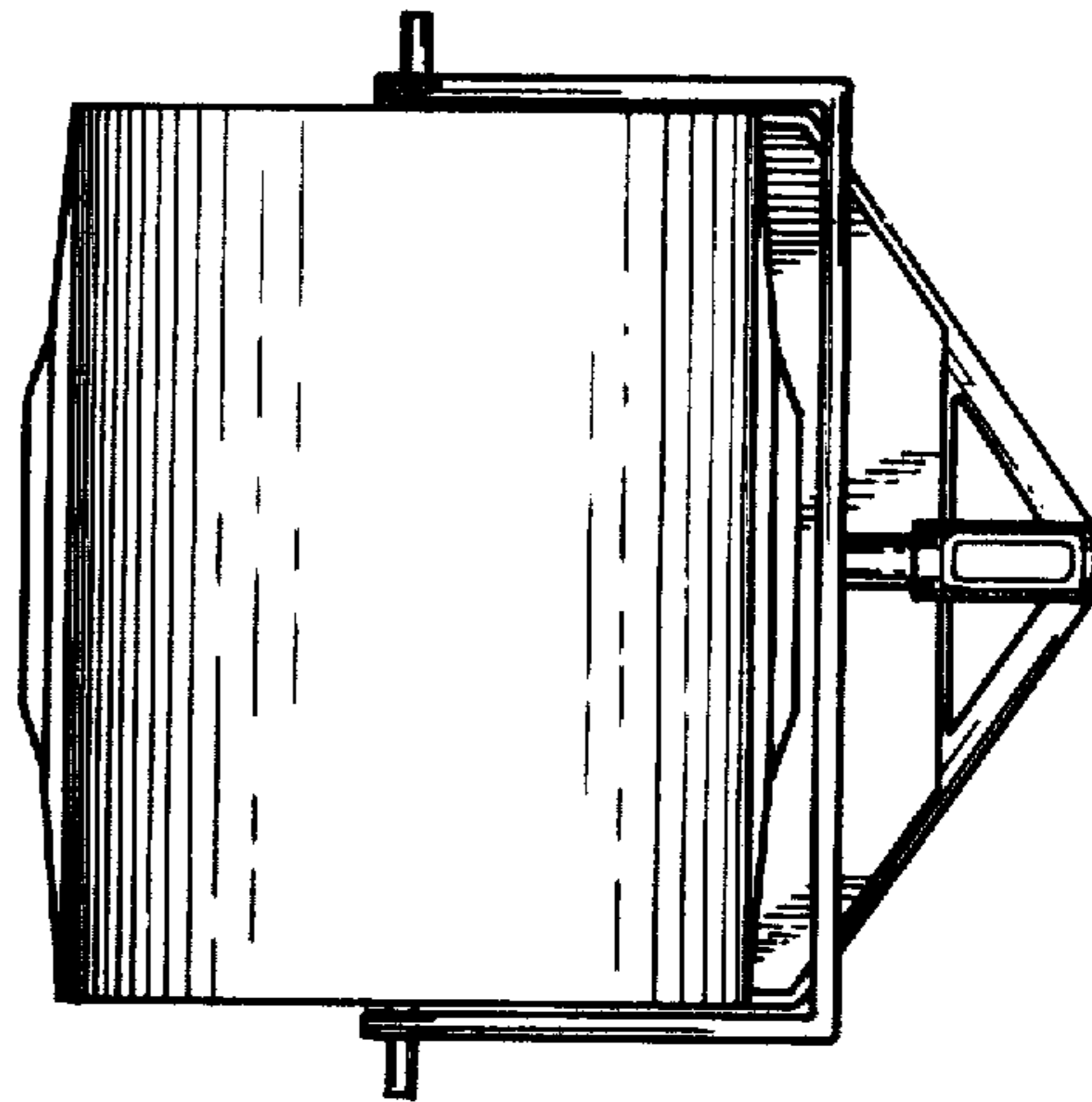


FIG. 4

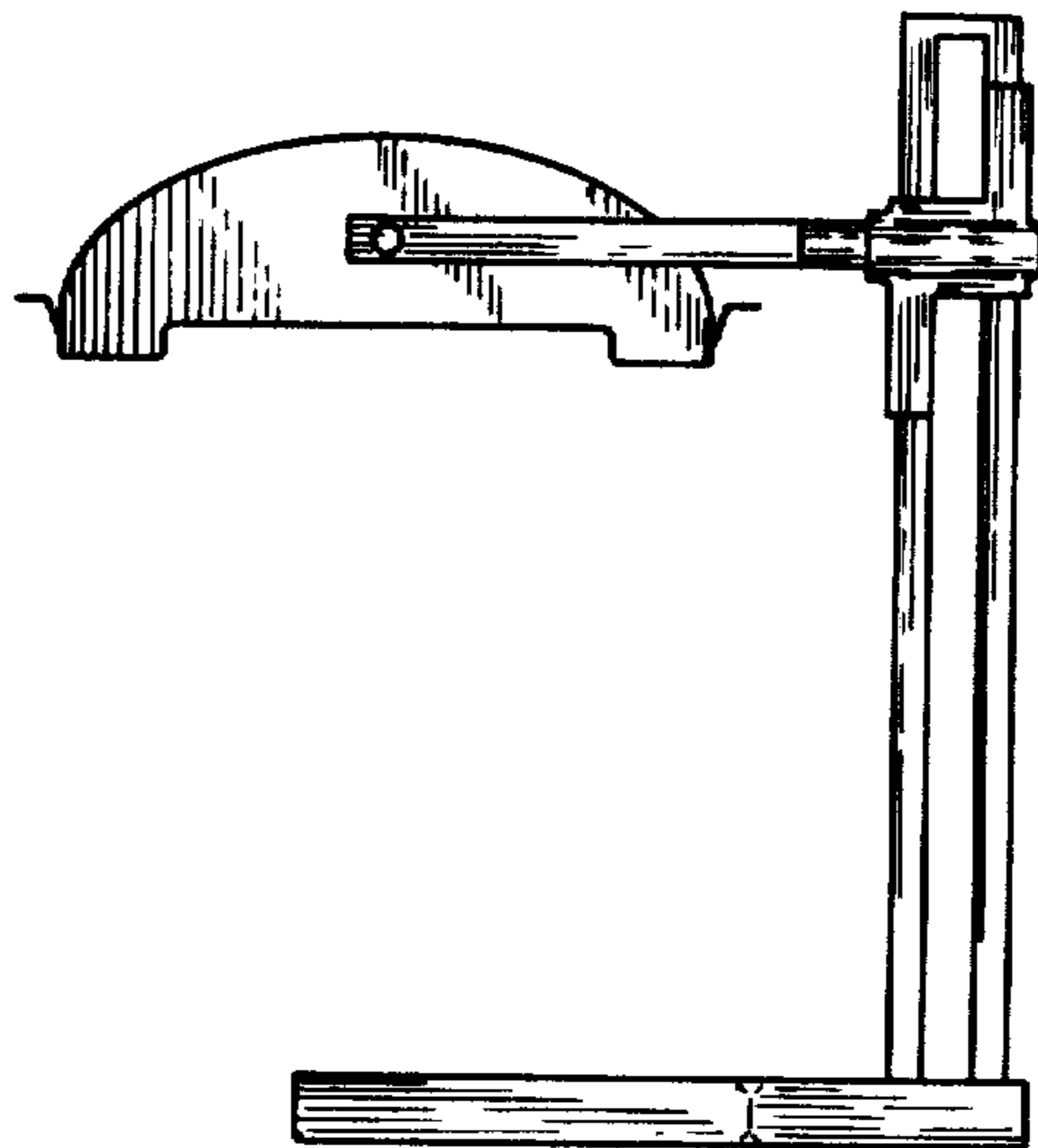


FIG. 5

FIG. 6

