

[54] **MOLDED PLASTIC DECONTAMINATION  
STAND FOR BRONCHOFIBERSCOPES**

[76] **Inventor: Walter H. Zinnecker, 9626 Radio  
Rd., Houston, Tex. 77075**

[\*\*] **Term: 14 Years**

[21] **Appl. No.: 184,256**

[22] **Filed: Sep. 3, 1980**

[51] **Int. Cl. .... D24—02; D6—02**  
[52] **U.S. Cl. .... D24/31; D6/125**  
[58] **Field of Search .... D6/113, 114, 125;  
D10/57, 58; 248/314, 176**

[56]

**References Cited**

**U.S. PATENT DOCUMENTS**

|            |        |                    |           |
|------------|--------|--------------------|-----------|
| D. 175,484 | 8/1955 | Ween et al. ....   | D10/58    |
| D. 251,045 | 2/1979 | Grube .....        | D6/125    |
| D. 251,684 | 4/1979 | Wood et al. ....   | D24/31    |
| D. 258,476 | 3/1981 | Gilboy et al. .... | D6/125    |
| 1,501,801  | 7/1924 | Nurnberg .....     | D10/58 UX |
| 3,081,056  | 3/1963 | Young et al. ....  | 248/314 X |

*Primary Examiner*—Bernard Ansher  
*Attorney, Agent, or Firm*—Kurt S. Myers

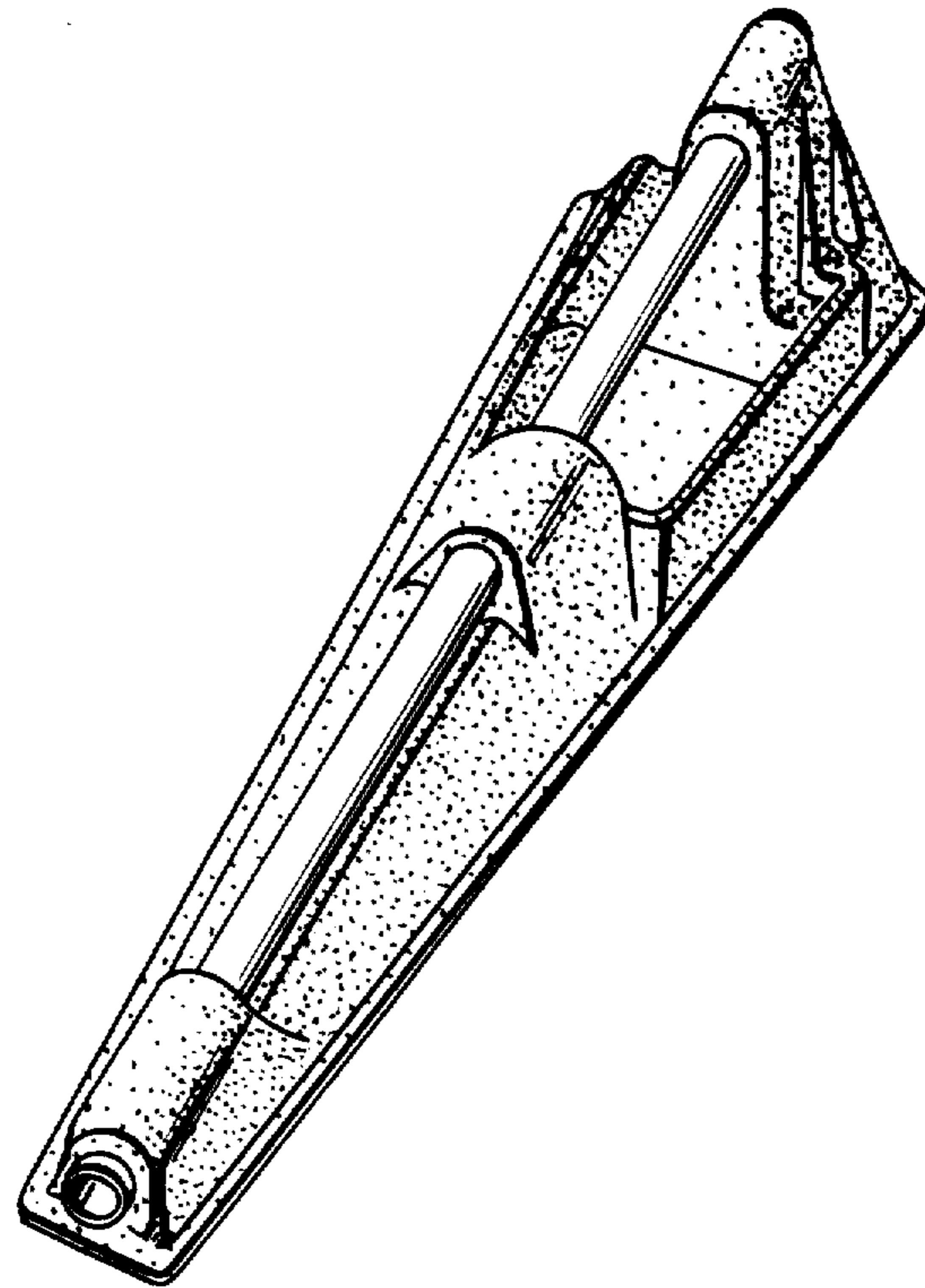
[57]

**CLAIM**

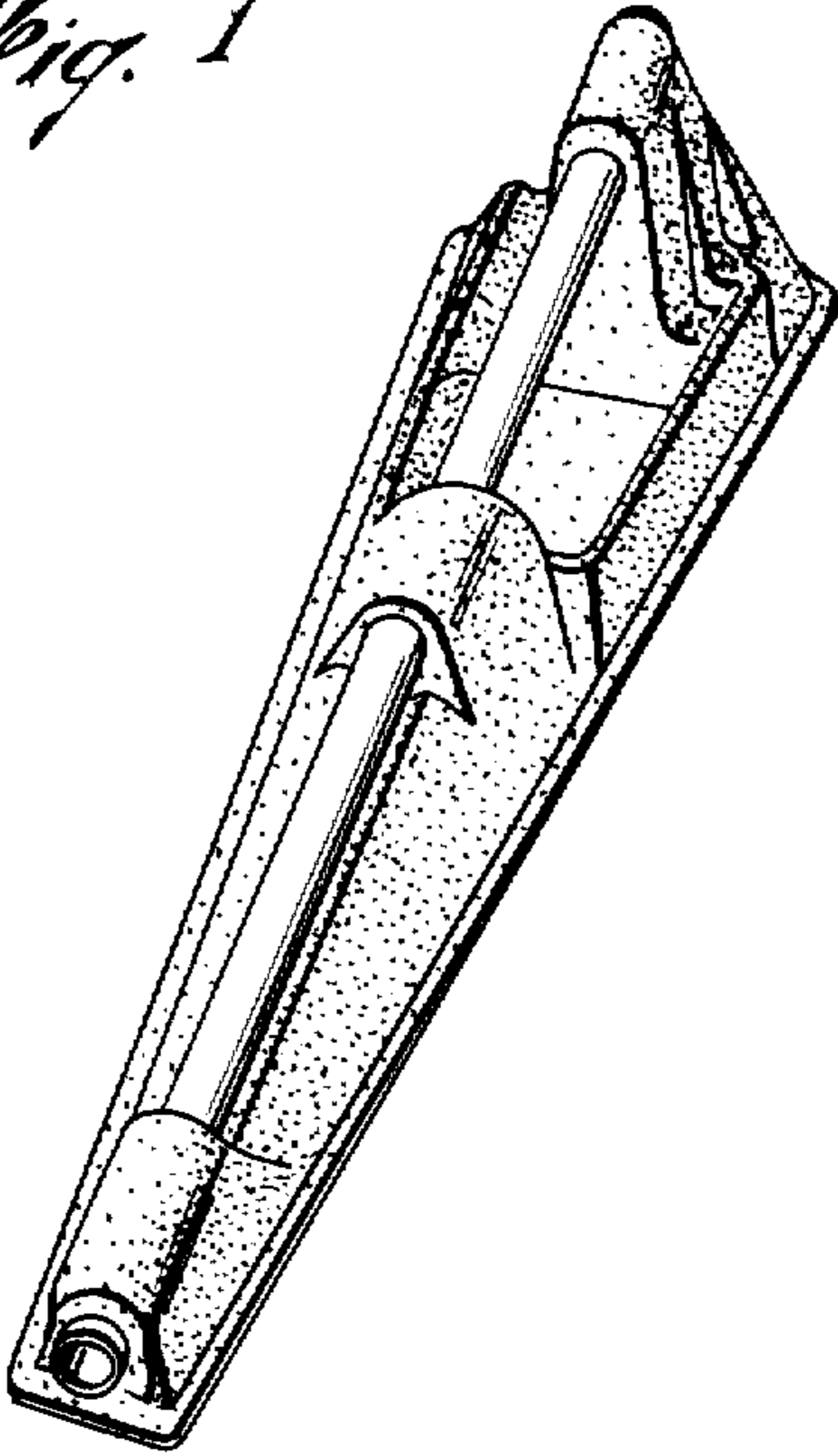
The ornamental design for a molded plastic decontami-  
nation stand for bronchofiberscopes, as shown.

**DESCRIPTION**

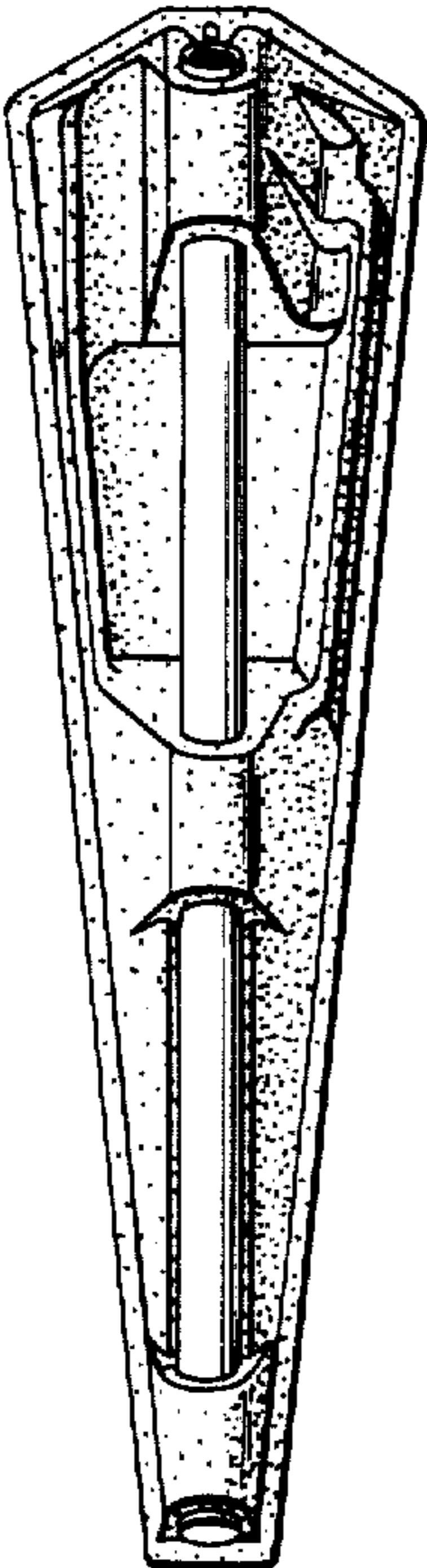
FIG. 1 is a side isometric of the decontamination stand  
showing my new design;  
FIG. 2 is a top plan view; and  
FIG. 3 is an isometric view from the right top front.



*Fig. 1*



*Fig. 2*



*Fig. 3*

