

[54] FAN ENCLOSURE

[76] Inventor: Roy T. Hicks, 566 Irelan, Buellton, Calif. 93427

[**] Term: 14 Years

[21] Appl. No.: 367,012

[22] Filed: Apr. 9, 1982

[51] Int. Cl. D23-04

[52] U.S. Cl. D23/155; D14/114

[58] Field of Search D23/155-160; D14/114, 107; D13/30; 98/115 R; 165/121; 361/383, 384; 415/121 G

[56] References Cited

U.S. PATENT DOCUMENTS

D. 167,759	9/1952	McFarland	D23/155
D. 220,434	4/1971	Sewall et al.	D13/30 X
D. 229,183	11/1973	Papst	D23/155
3,396,780	8/1968	Koltuniak	361/384 X
3,962,608	6/1976	Forster	361/384 X
4,084,213	4/1978	Kirchner et al.	361/384

4,084,250	4/1978	Albertine et al.	361/384 X
4,122,508	10/1978	Rumbaugh	361/384
4,126,269	11/1978	Bruges	361/384 X
4,237,521	12/1980	Denker	361/384

Primary Examiner—James R. Largen
Attorney, Agent, or Firm—Poms, Smith, Lande & Rose

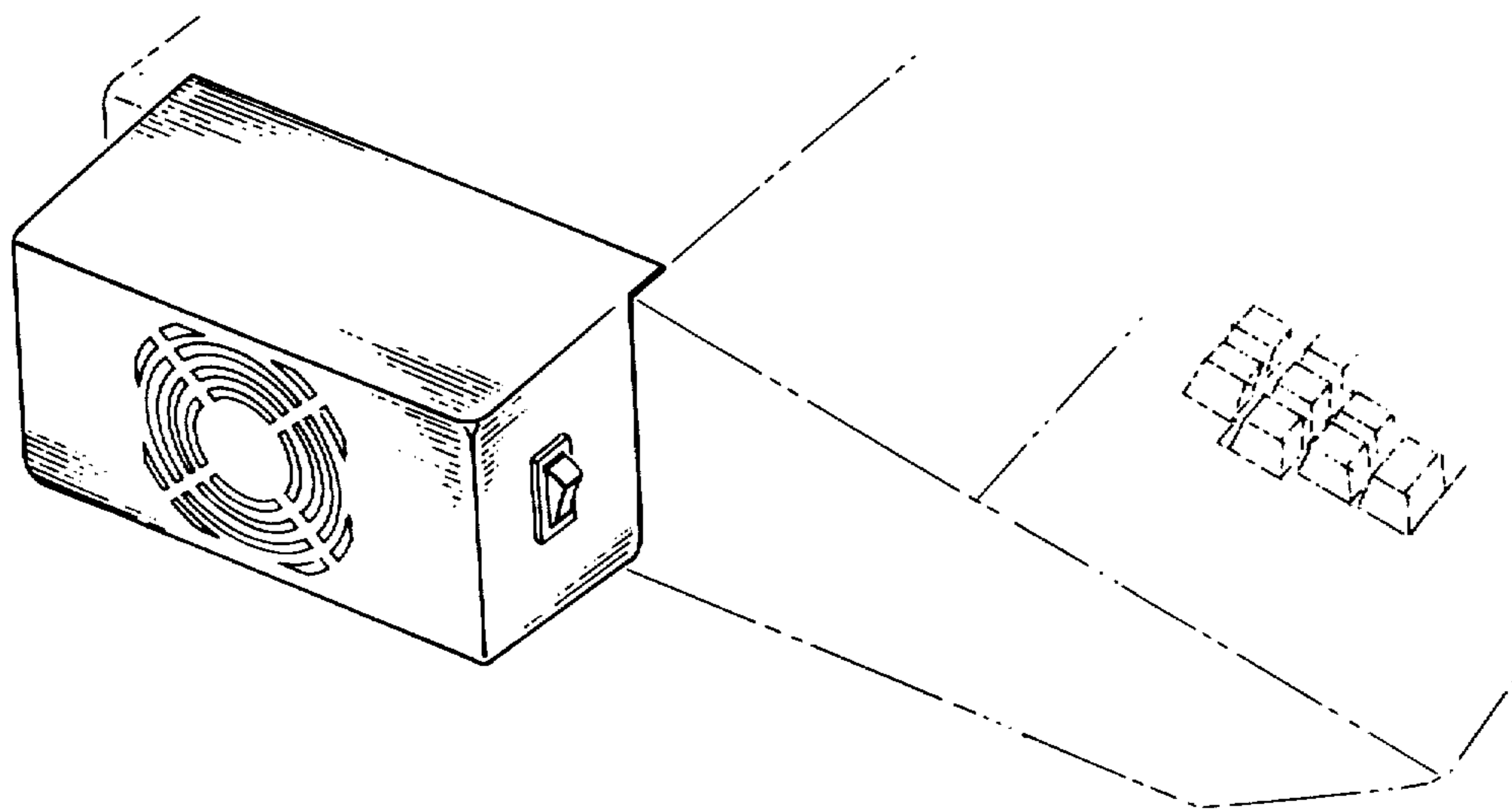
[57] CLAIM

The ornamental design for a fan enclosure, as shown and described.

DESCRIPTION

FIG. 1 is a perspective view taken from the top, front and left side of a fan enclosure showing my new design; FIG. 2 is a front elevational view thereof; FIG. 3 is a rear elevational view thereof; FIG. 4 is a left side elevational view thereof; FIG. 5 is a bottom plan view thereof; FIG. 6 is a right side elevational view thereof; and FIG. 7 is a top plan view thereof.

The fragmentary broken line representation of a computer terminal in FIG. 1 is for purposes of illustration only.



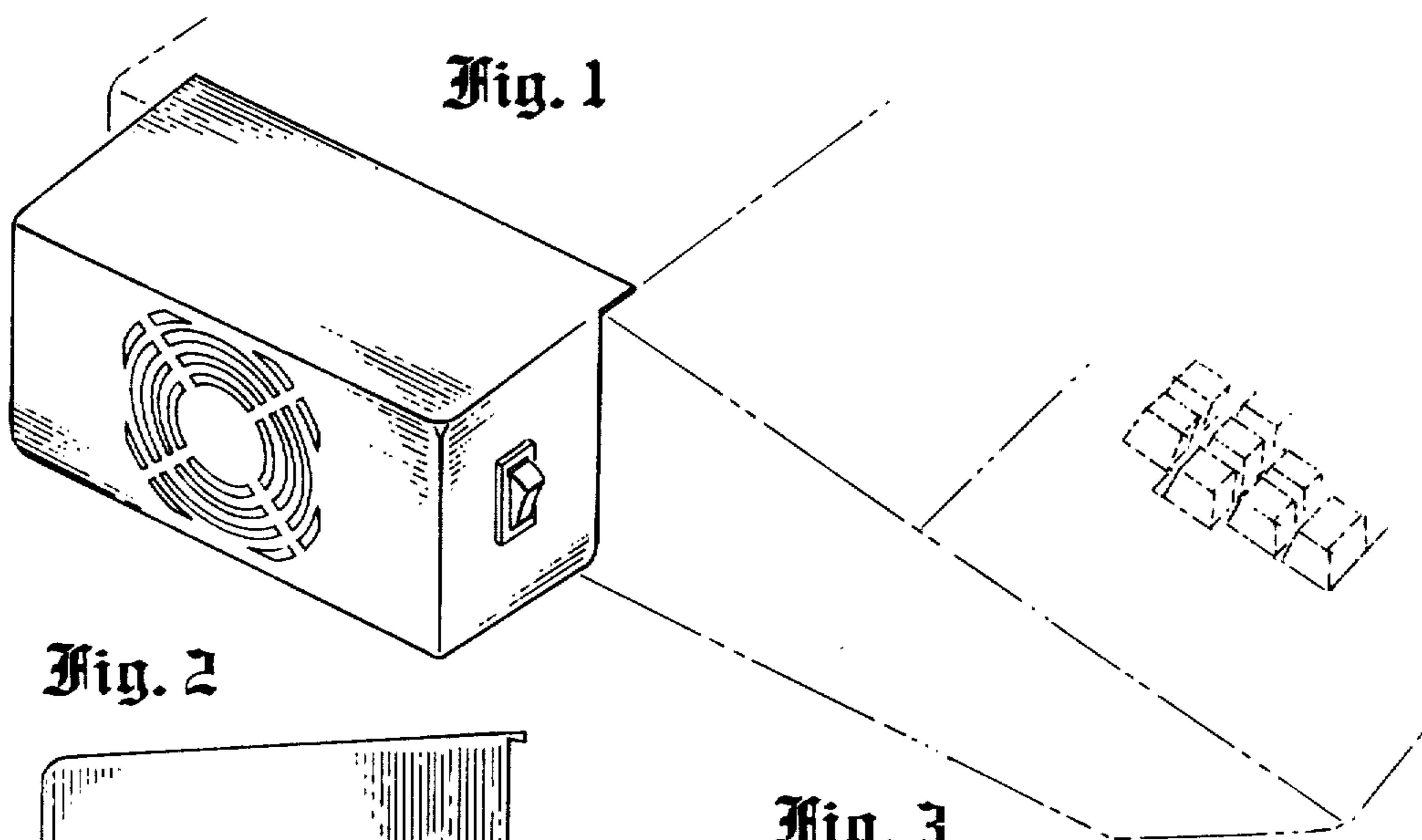


Fig. 2

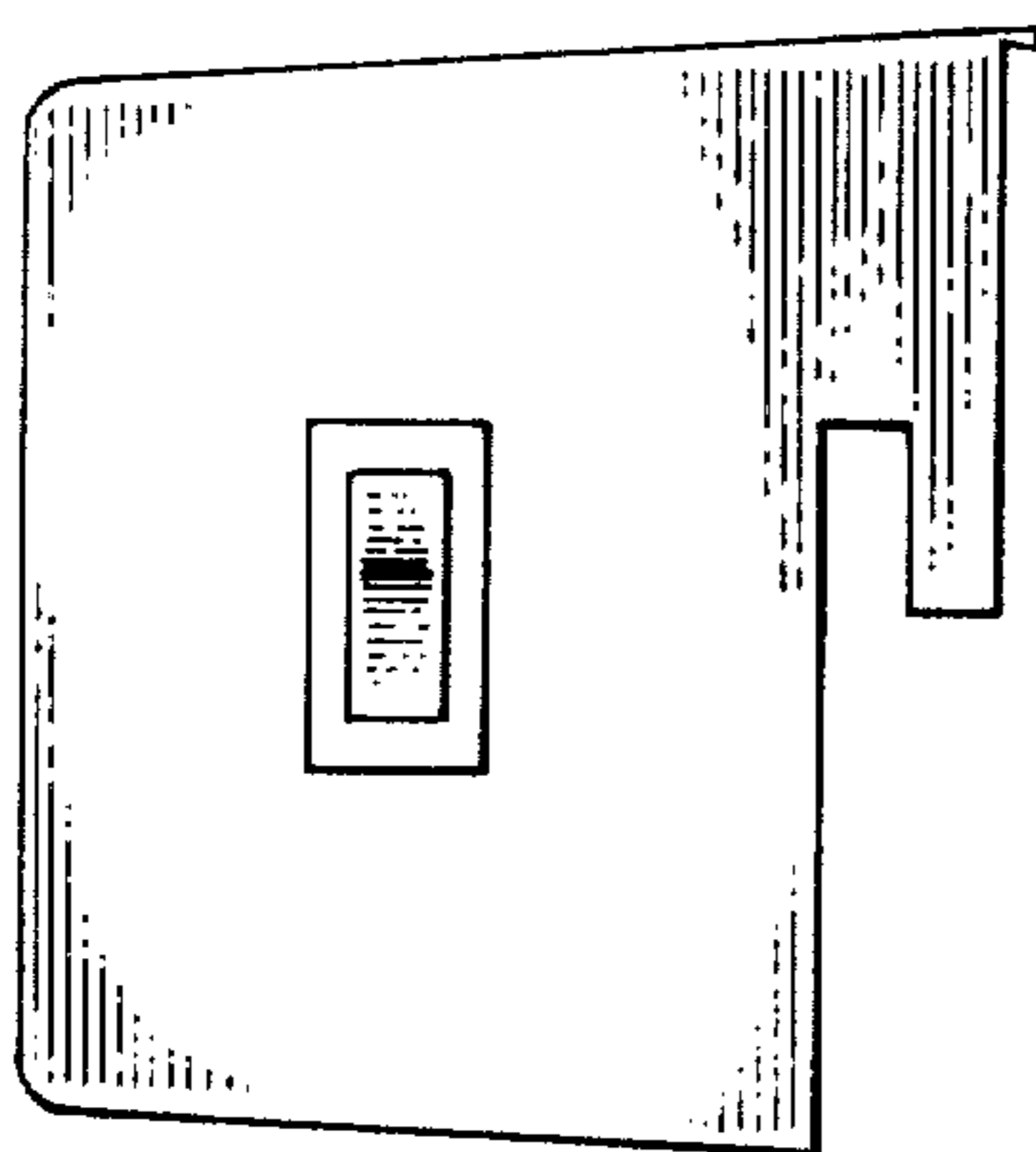


Fig. 3

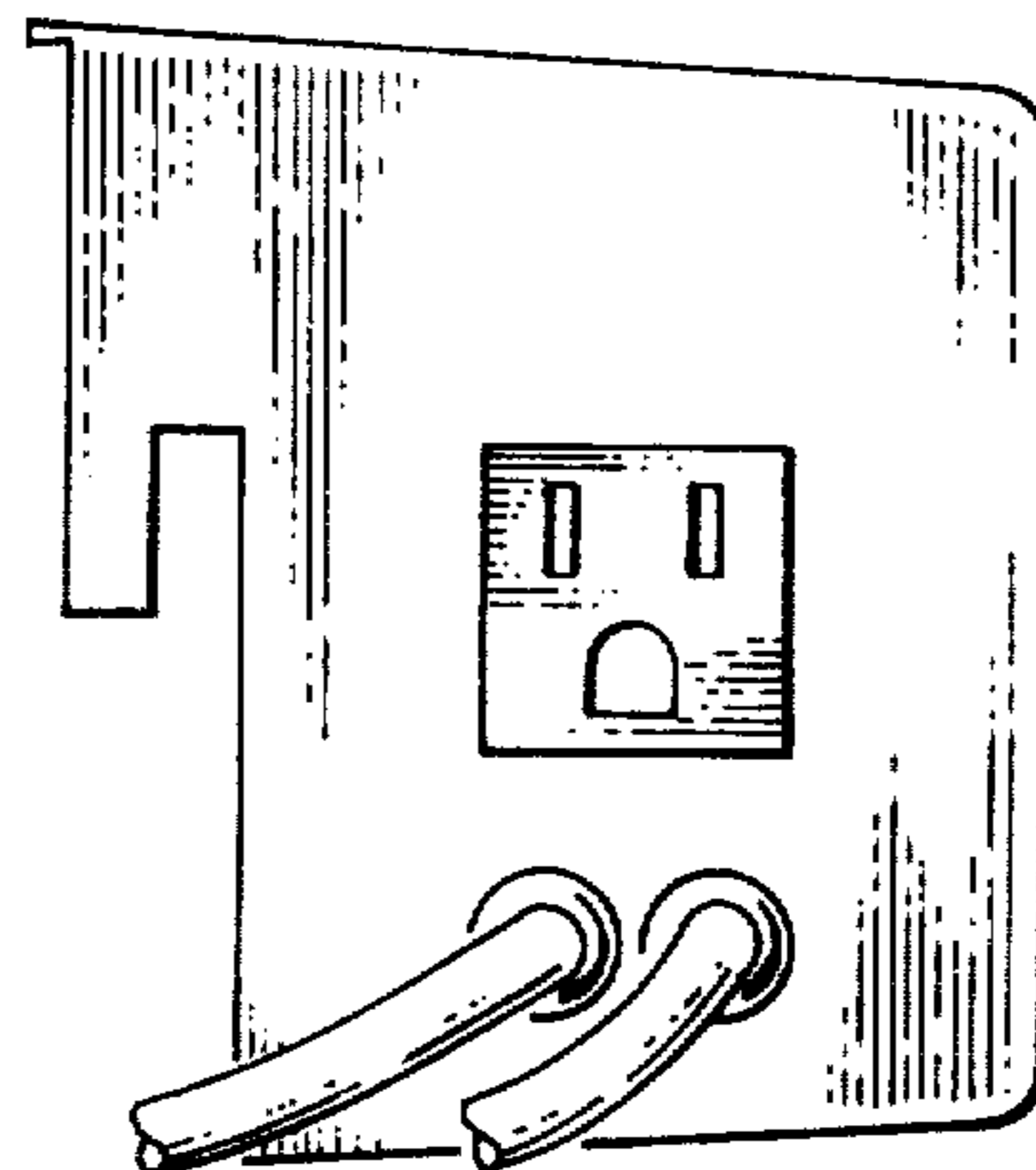


Fig. 4

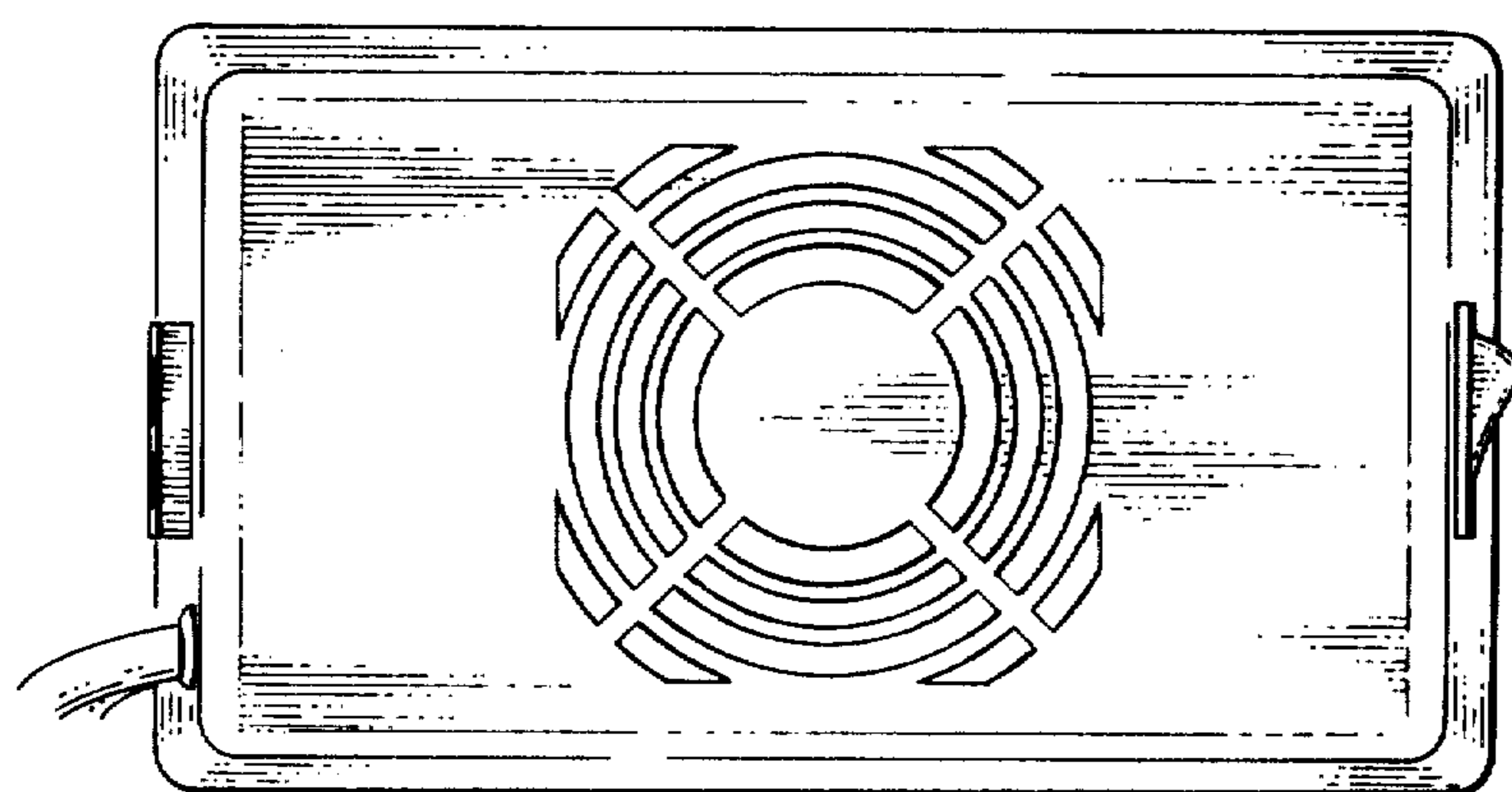


Fig. 5

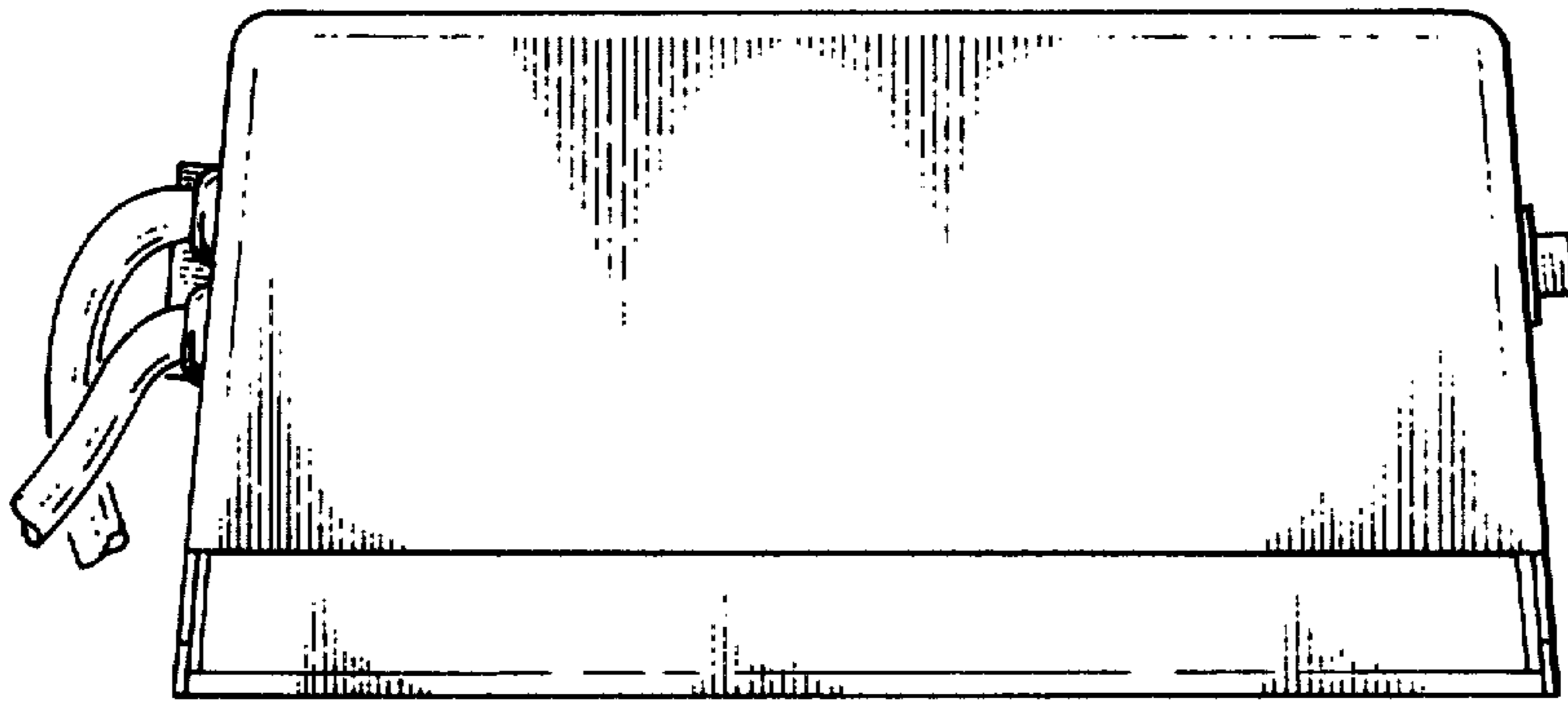


Fig. 6

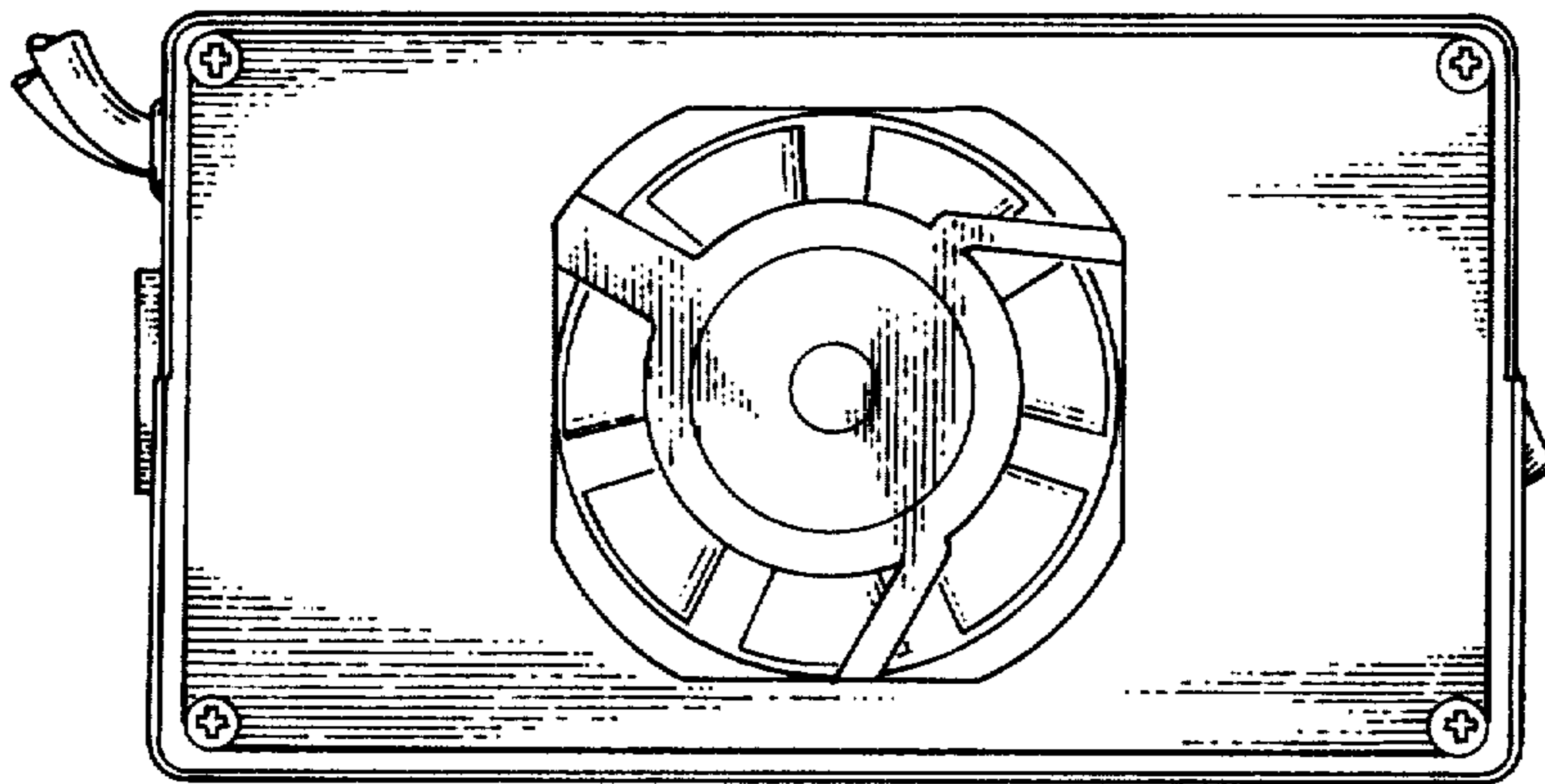


Fig. 7

