

[54] **BATH SEAT**

[75] **Inventor:** Michael Rodger, Loughborough,  
England

[73] **Assignee:** Gordon Ellis and Company, Derby,  
England

[\*\*] **Term:** 14 Years

[21] **Appl. No.:** 229,426

[22] **Filed:** Jan. 29, 1981

[30] **Foreign Application Priority Data**

Nov. 28, 1980 [GB] United Kingdom ..... 997799

[51] **Int. Cl.** ..... D6—06

[52] **U.S. Cl.** ..... D23/71; D6/32;  
4/578

[58] **Field of Search** ..... D23/69, 71; D6/29, 32,  
D6/86; 4/559, 575, 578, 579; 297/461; 108/161

[56]

**References Cited**

**U.S. PATENT DOCUMENTS**

D. 29,993	1/1899	Robertson	.....	D23/71
D. 139,325	10/1947	Gass	.....	D6/32
D. 192,955	6/1962	Mooro	.....	D23/71
393,226	11/1888	Frederick	.....	4/579
1,740,444	12/1929	Downham et al.	.....	4/579
2,813,276	11/1957	Lanza	.....	4/579
3,086,221	4/1963	Gass	.....	4/579
3,875,597	4/1975	McGaffin	.....	4/578
4,034,425	7/1977	Riemsdyck	.....	4/579 X

*Primary Examiner*—James R. Largen  
*Attorney, Agent, or Firm*—Alan H. Levine

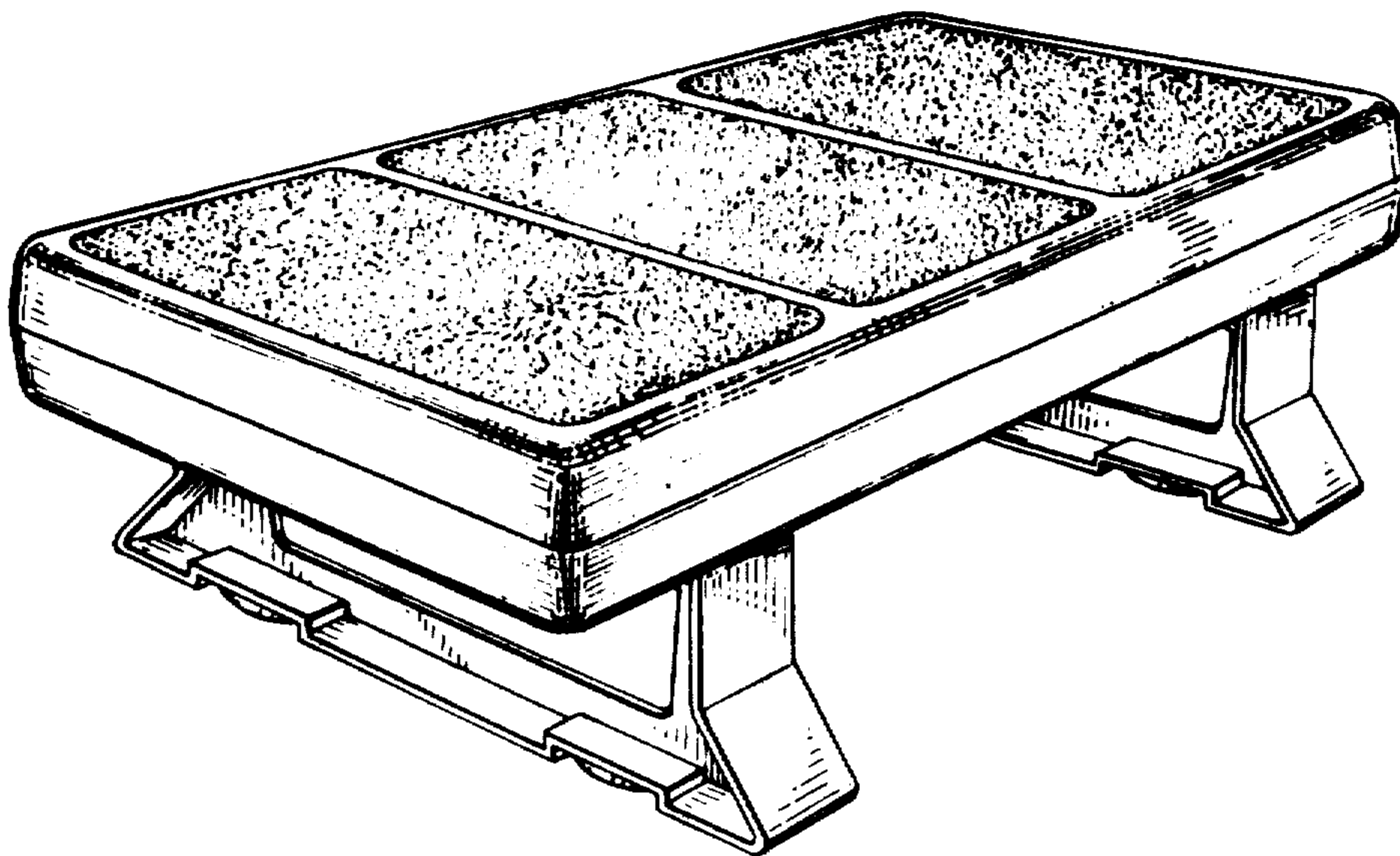
[57]

**CLAIM**

The ornamental design for a bath seat, substantially as shown.

**DESCRIPTION**

FIG. 1 is a top view of a bath seat showing my new design;  
FIG. 2 is a side elevational view thereof;  
FIG. 3 is an end elevational view thereof;  
FIG. 4 is a bottom view thereof; and  
FIG. 5 is a perspective view thereof.



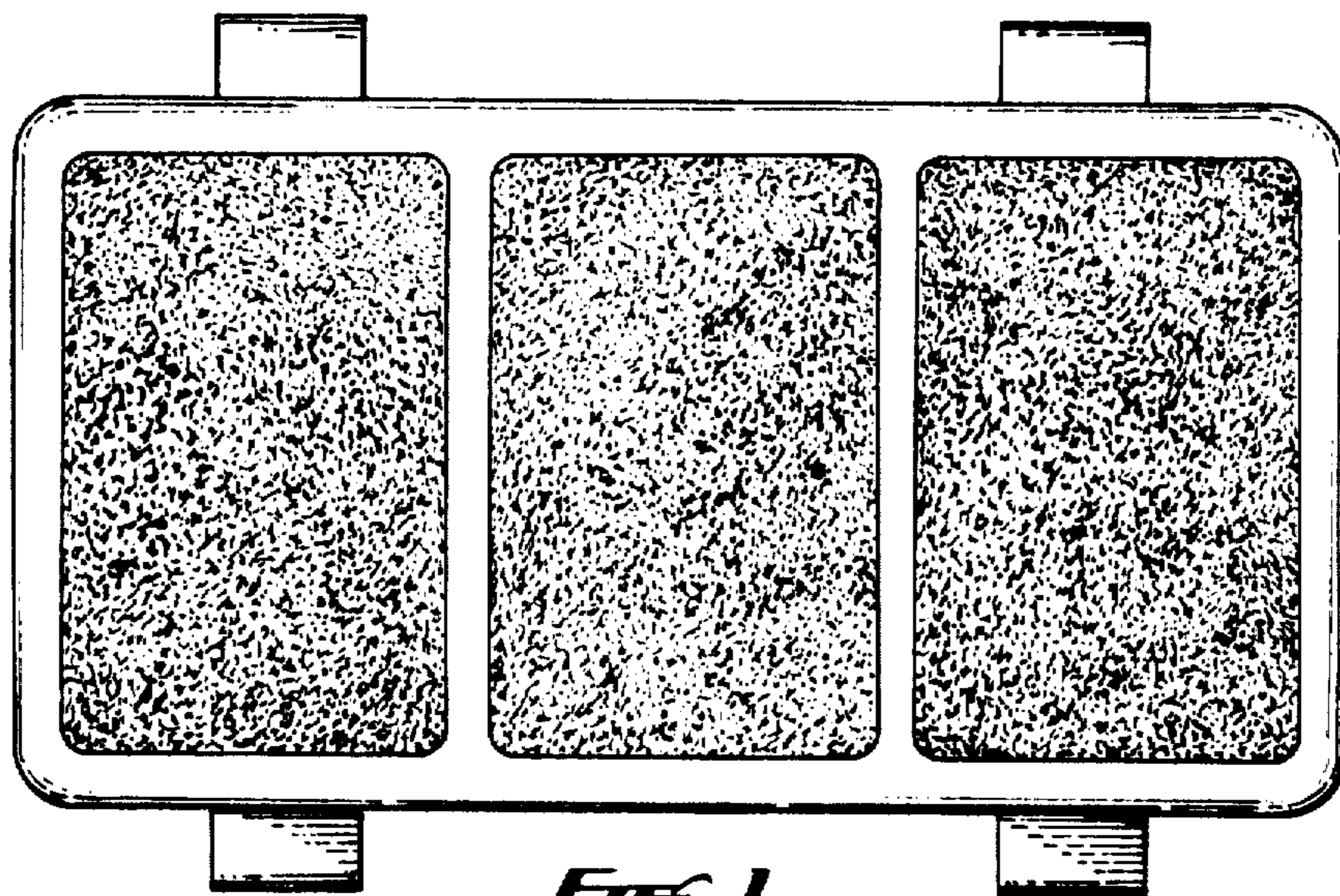


FIG. 1

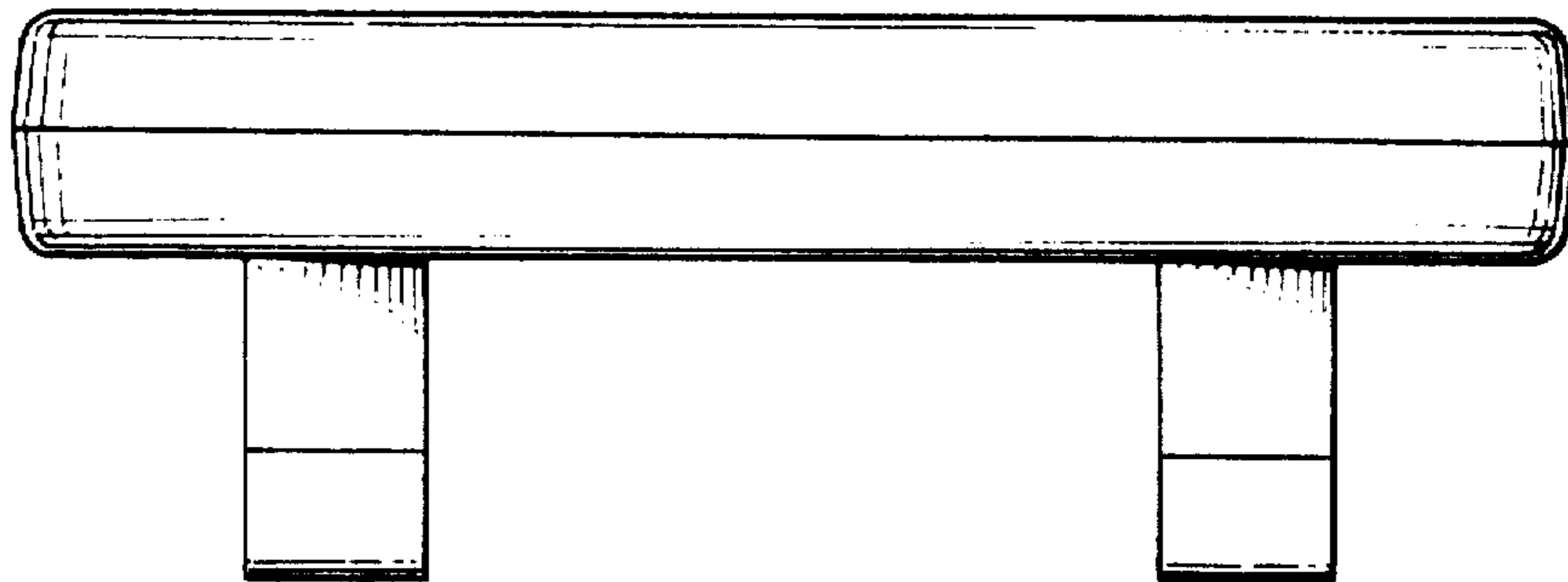


FIG. 2

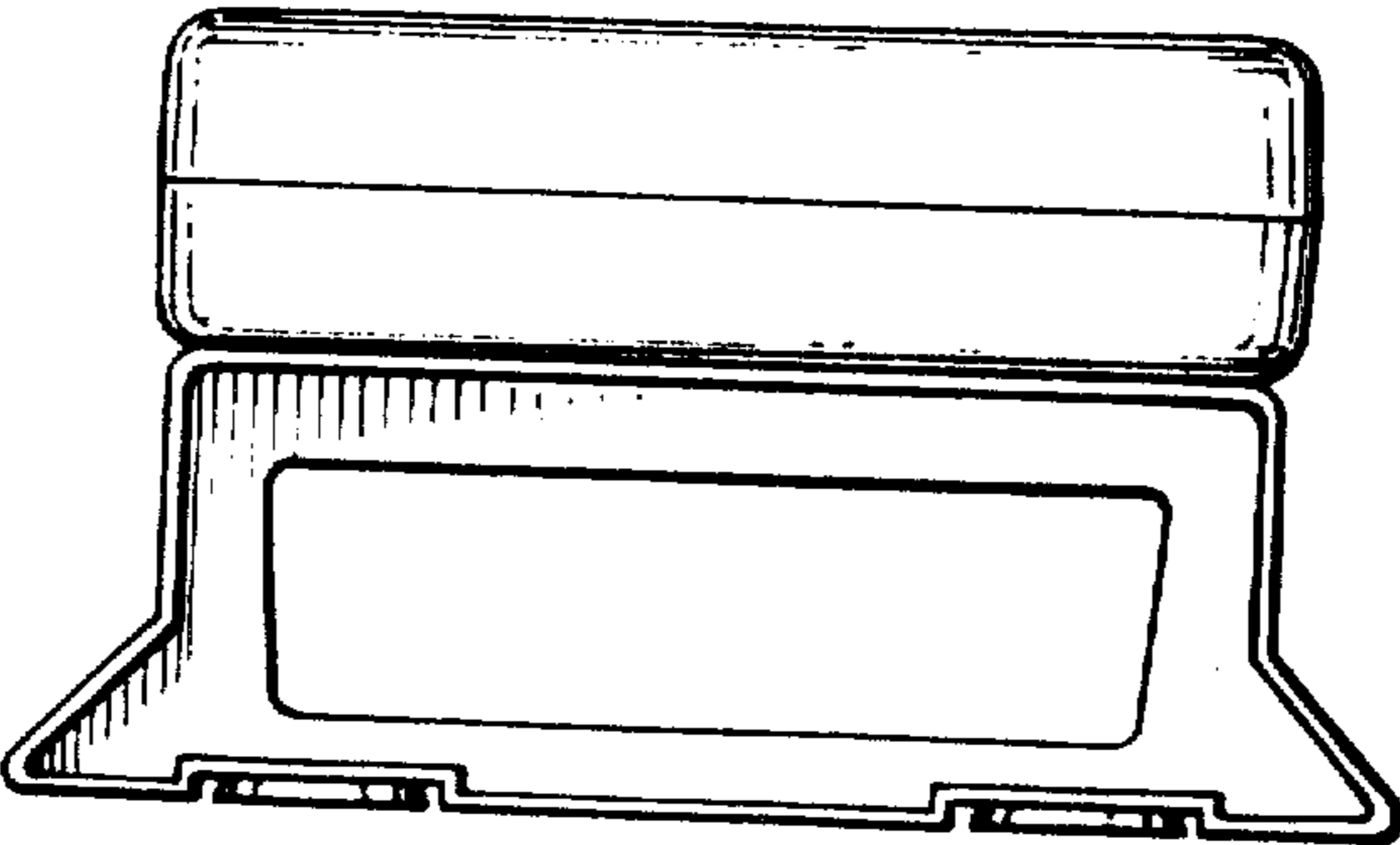


FIG. 3

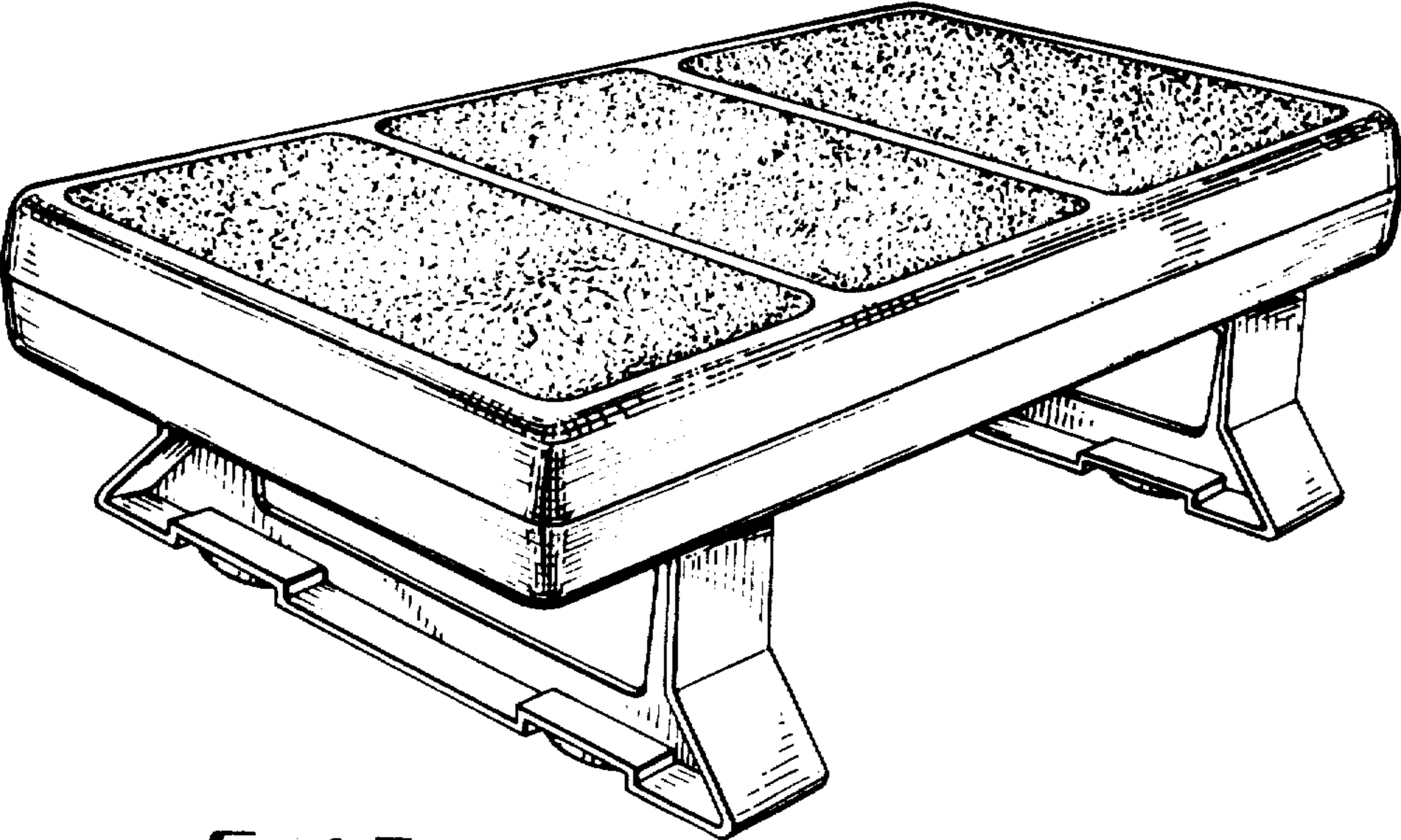


FIG. 5

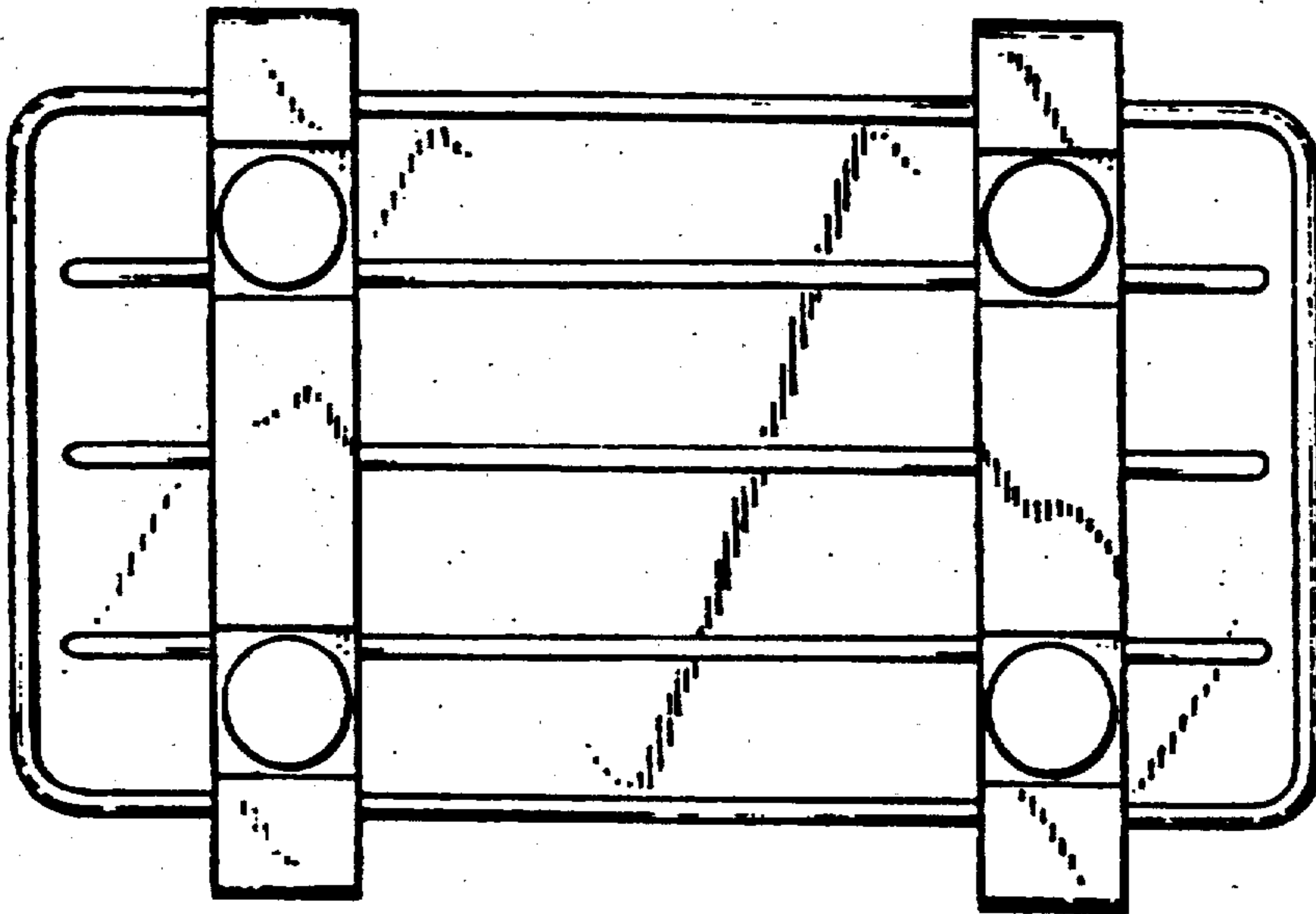


FIG. 4