

[54] **ROWING MACHINE**

[76] Inventor: **David B. Smith**, 3811 W. Mercer Way, Mercer Island, Wash. 94040

[\*\*] Term: **14 Years**

[21] Appl. No.: **353,054**

[22] Filed: **Mar. 1, 1982**

**Related U.S. Application Data**

[63] Continuation-in-part of Ser. No. 253,785, Apr. 13, 1981, and a continuation-in-part of Ser. No. 253,781, Apr. 13, 1981.

[51] Int. Cl. .... **D21-02**

[52] U.S. Cl. .... **D21/195**

[58] Field of Search ..... **D21/191; 272/72, 130, 272/134, 137, 140, 145**

**References Cited**

**U.S. PATENT DOCUMENTS**

1,905,019 4/1933 Turner ..... 272/72  
4,284,272 8/1981 Evans ..... 272/72

**FOREIGN PATENT DOCUMENTS**

78675 4/1932 Sweden ..... 272/72  
426410 4/1935 United Kingdom ..... 272/72

**OTHER PUBLICATIONS**

TWA Flight "World of Gifts", 6-80, p. 7, Item "I" Hydraulic Rowing Machine.

Sporting Goods Dealer, 9-81, p. 159, rowing machine at top of page.

Copies of pp. 6 and 7 of Amerrec Corporation advertising catalog illustrating Tunturi Rowing Machine.

Pp. 14 and 15 of Vitamaster Catalog illustrating rowing machine Models RM-6 and RM-7.

Copy of advertising brochure by Walton Manufacturing Co. illustrating Model 522-Professional Rowing Exerciser.

Merchants Corporation of American advertising brochure illustrating rowing machine Model MCA-1200.

M and R Industries advertising brochure describing "Dyna-Row 100" rowing machine.

Two pages of a 1981 Annual Report by Pyramid Sports, Inc. disclosing rowing machines.

*Primary Examiner*—Charles A. Rademaker

*Attorney, Agent, or Firm*—James R. Uhlir

[57] **CLAIM**

The ornamental design for a rowing machine, substantially as shown and described.

**DESCRIPTION**

FIG. 1 is a perspective view of a rowing machine showing my new design;

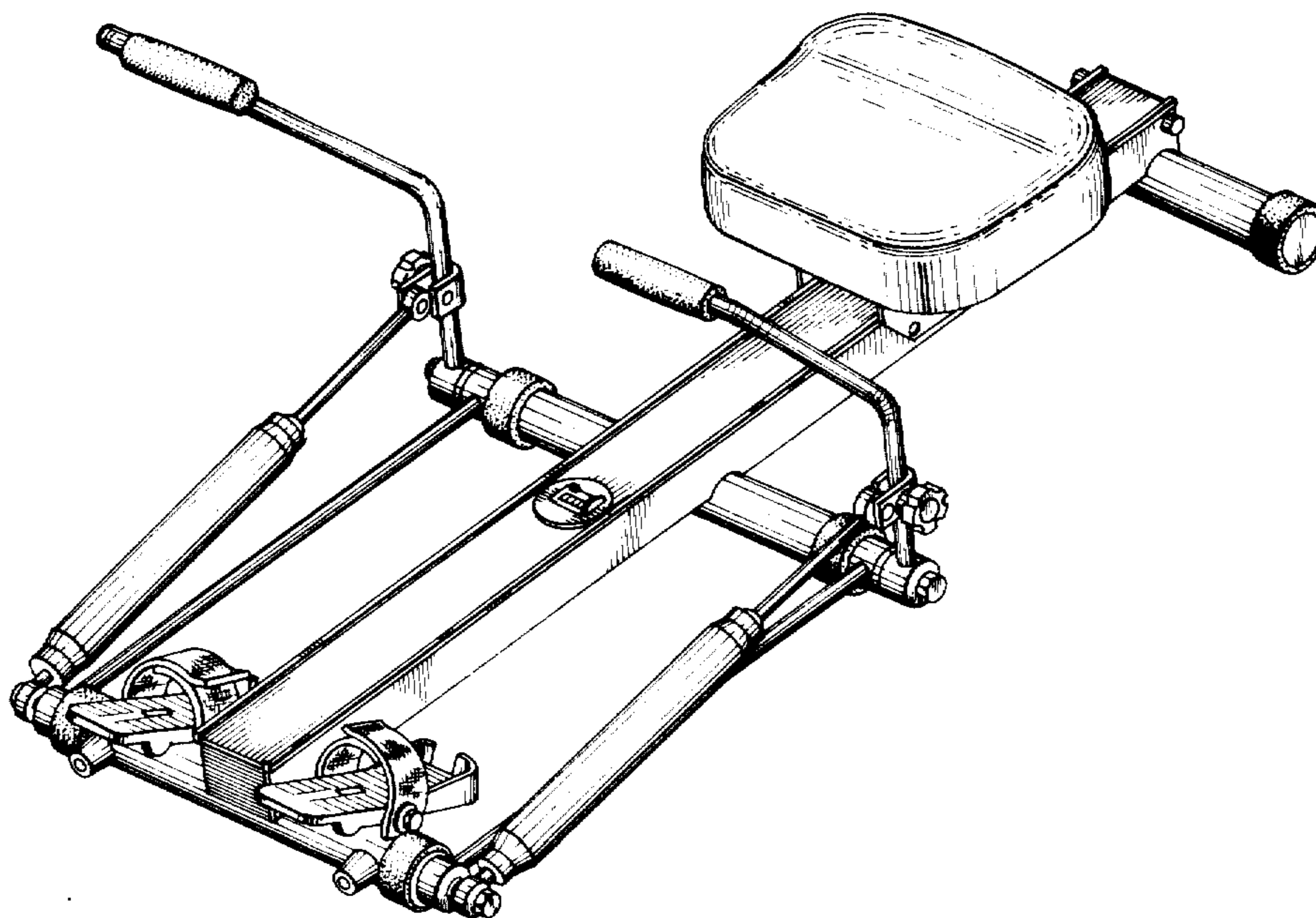
FIG. 2 is a top plan view thereof;

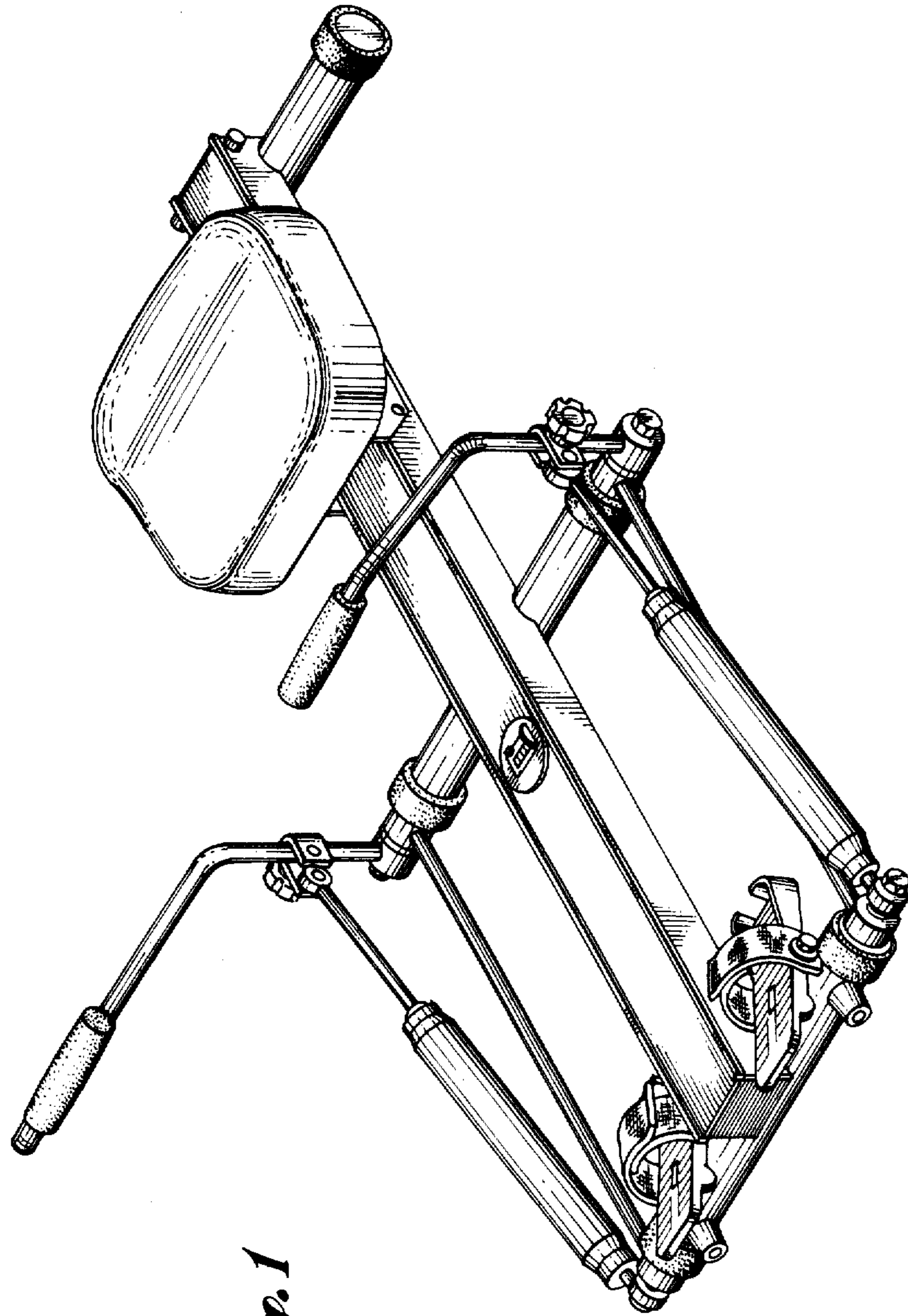
FIG. 3 is a side elevational view thereof, the side opposite being substantially a mirror image;

FIG. 4 is a front elevational view thereof;

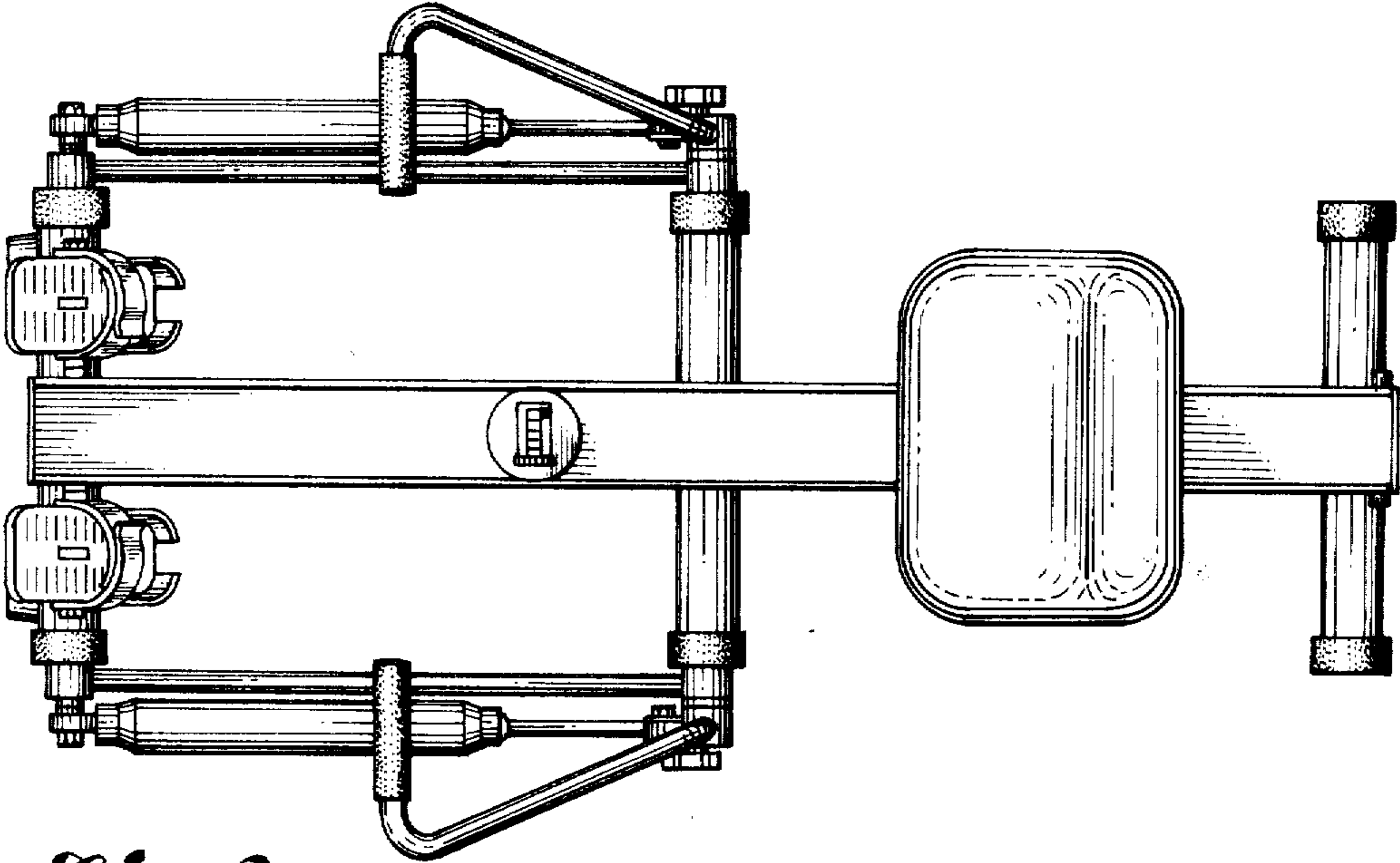
FIG. 5 is a rear elevational view thereof; and,

FIG. 6 is a bottom plan view thereof.

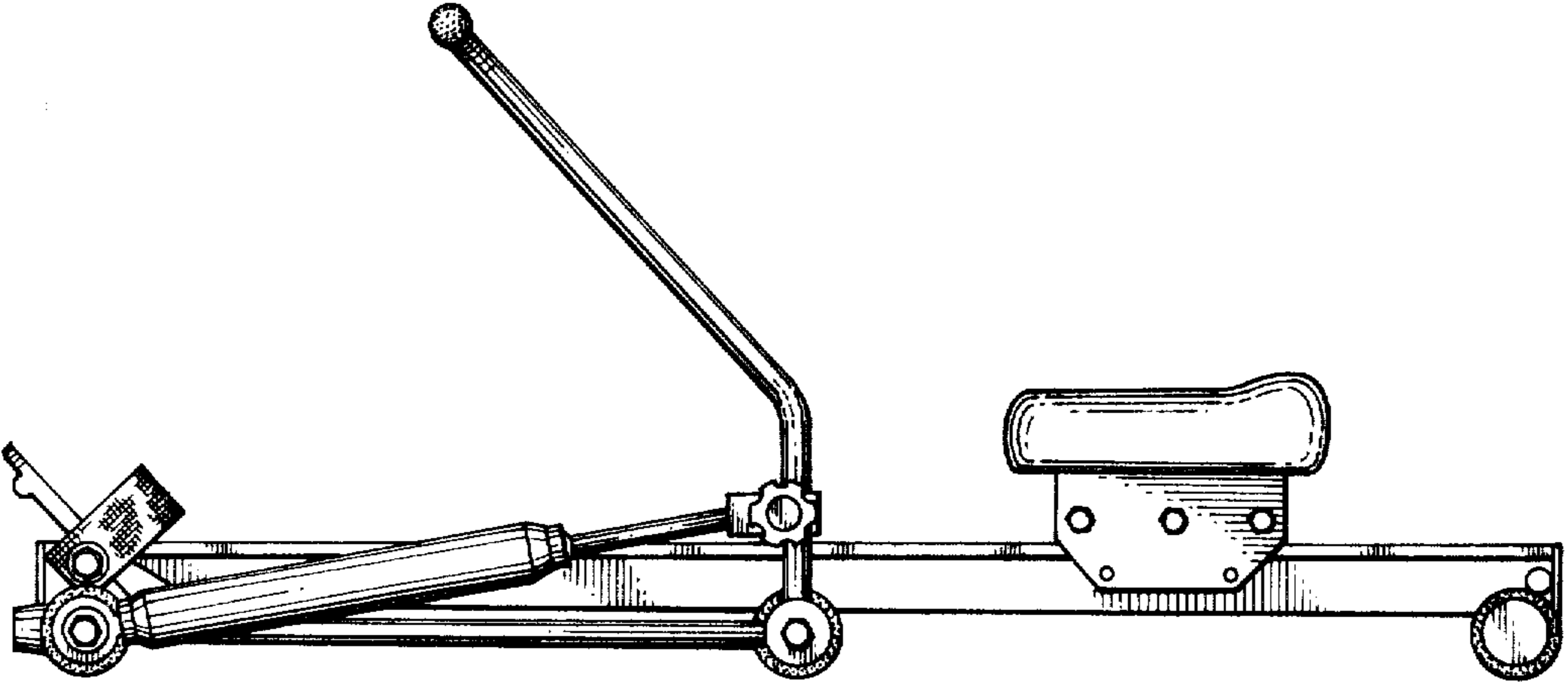




*Fig. 1*



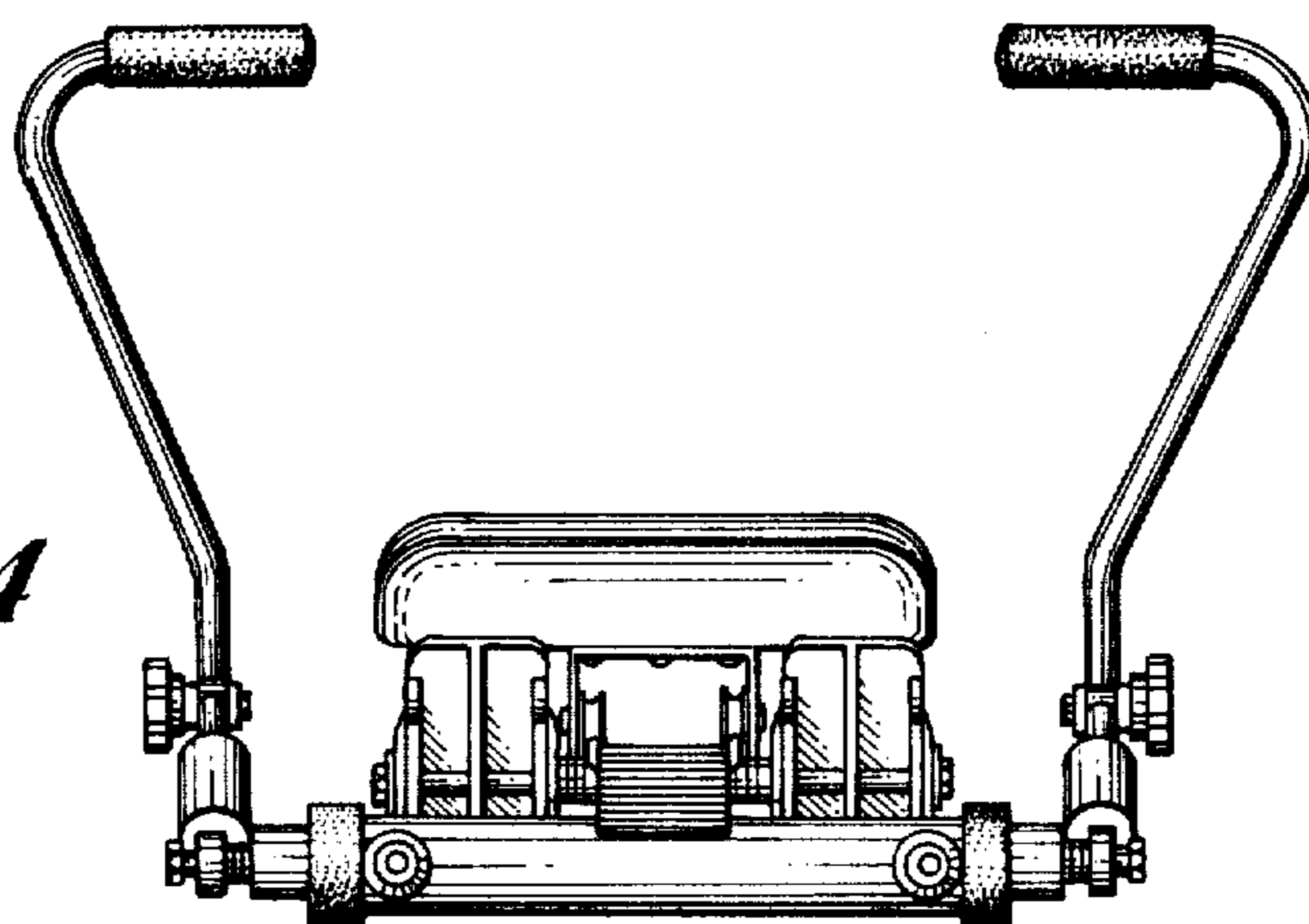
*Fig. 2*



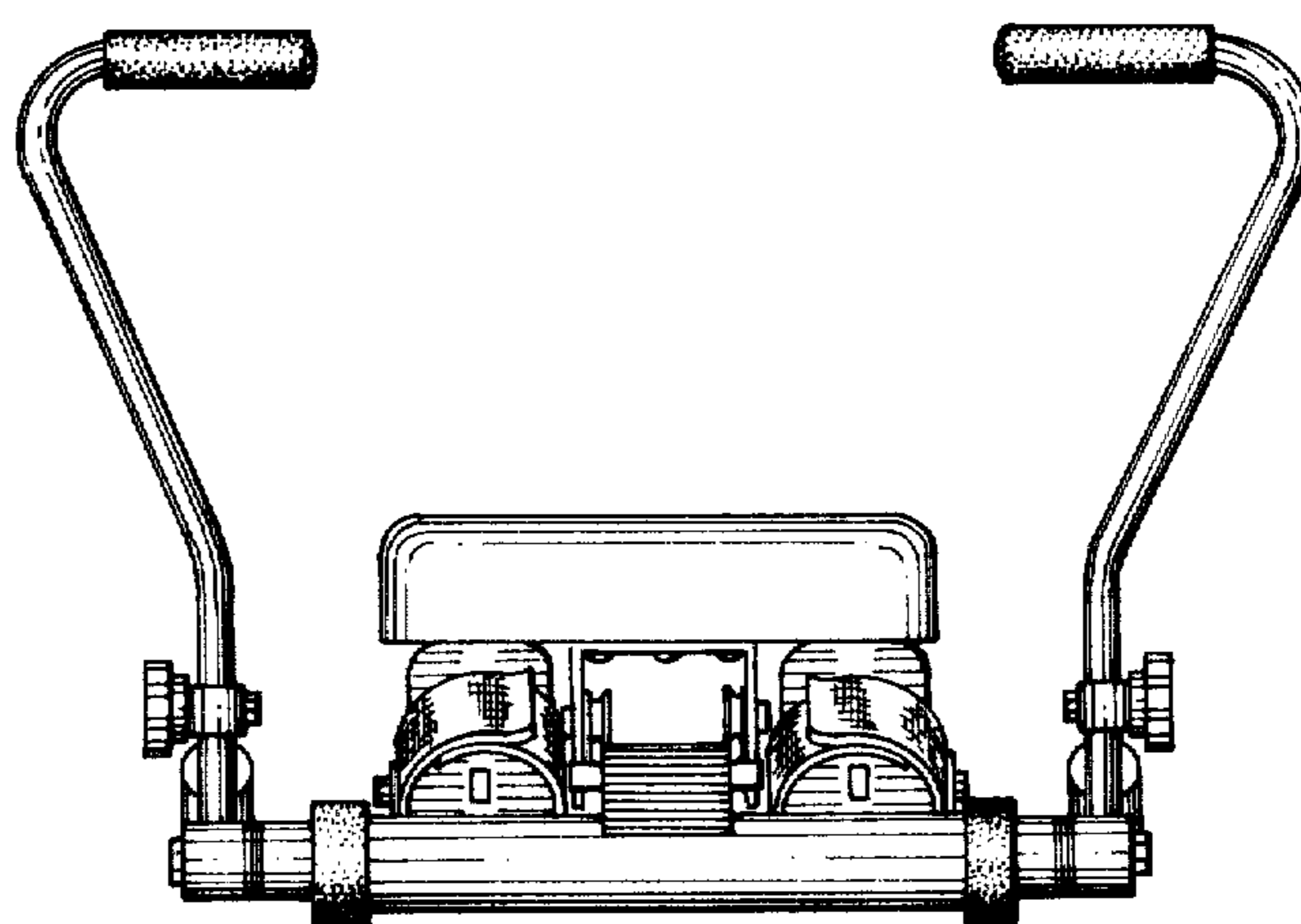
*Fig. 3*



*Fig. 4*



*Fig. 5*



*Fig. 6*

