

[54] EDUCATIONAL FURNITURE PUZZLE OR SIMILAR ARTICLE

[76] Inventor: Ivan Radoś, Intagsgränd 56, S-163 57 Spanga, Sweden

[**] Term: 14 Years

[21] Appl. No.: 62,645

[22] Filed: Aug. 1, 1979

[30] Foreign Application Priority Data

Feb. 1, 1979 [SE] Sweden 7900026

[51] Int. Cl. D21-01

[52] U.S. Cl. D21/107; D6/4; D6/6

[58] Field of Search D6/4

[56] References Cited

U.S. PATENT DOCUMENTS

1,379,648 5/1921 Niebel D6/4 X
1,660,119 2/1928 Decker D6/4 X

Primary Examiner—Bruce W. Dunkins
Attorney, Agent, or Firm—Pollock, Vande Sande & Priddy

[57] CLAIM

The ornamental design for an educational furniture puzzle or similar article, as shown and described.

DESCRIPTION

FIG. 1 is a perspective view showing two sides and one end of an educational furniture puzzle or similar article embodying my design; and

FIG. 2 is a second perspective view showing the two remaining sides and the other end thereof.

FIG. 3 is a perspective view showing two sides and one end of a second embodiment of the puzzle of FIG. 1; and

FIG. 4 is a second perspective view showing the two remaining sides and the other end thereof.

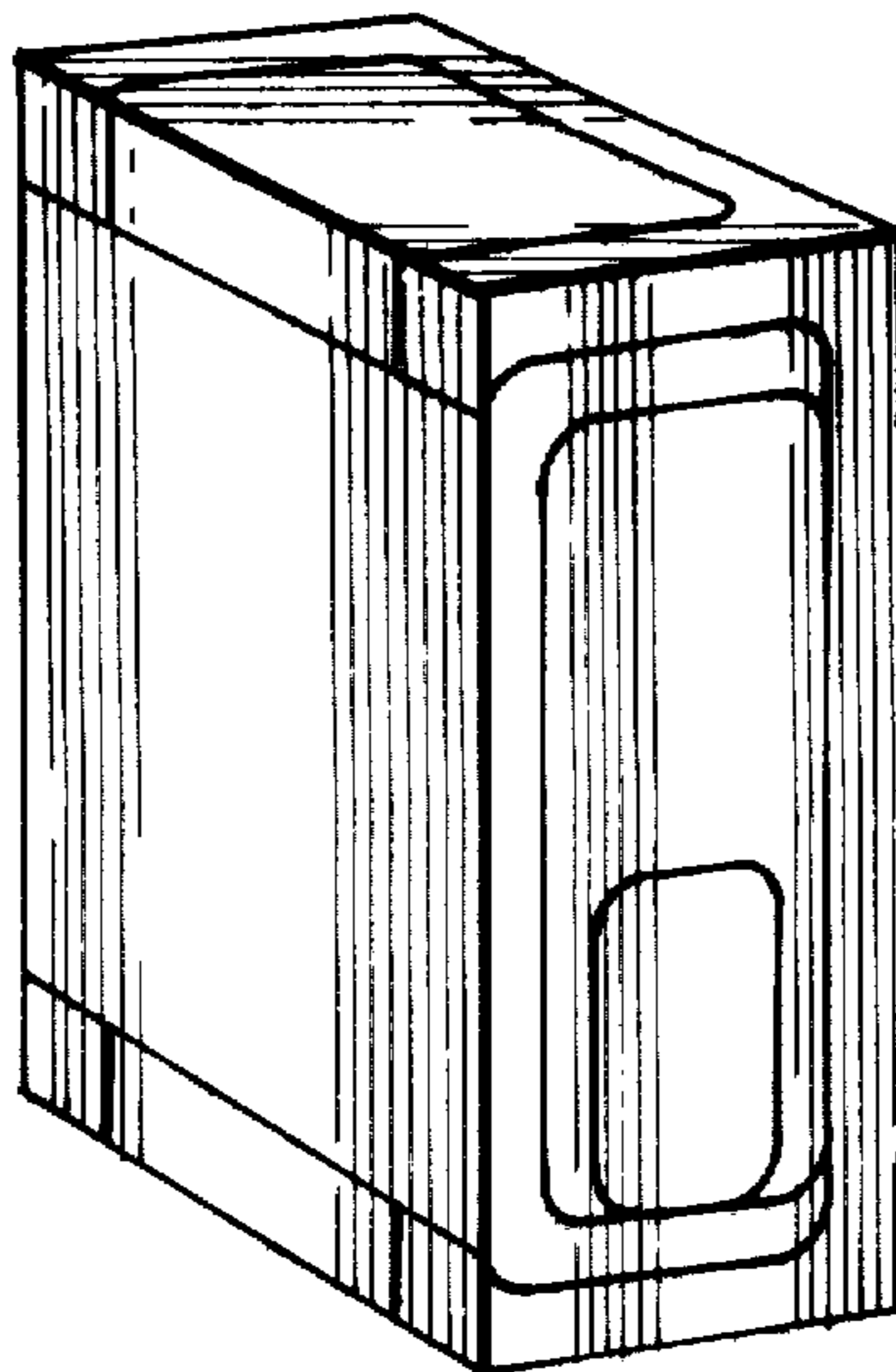
FIG. 5 is a perspective view showing two sides and one end of a third embodiment of the puzzle of FIG. 1; and

FIG. 6 is a second perspective view showing the two remaining sides and the other end thereof.

FIG. 7 is a partially exploded perspective view showing two sides and one end of a fourth embodiment of the puzzle of FIG. 1; and

FIG. 8 is a second perspective of the puzzle of FIG. 7 showing the side and end not illustrated therein.

FIG. 9 is an exploded perspective view of the puzzle shown in FIG. 1.



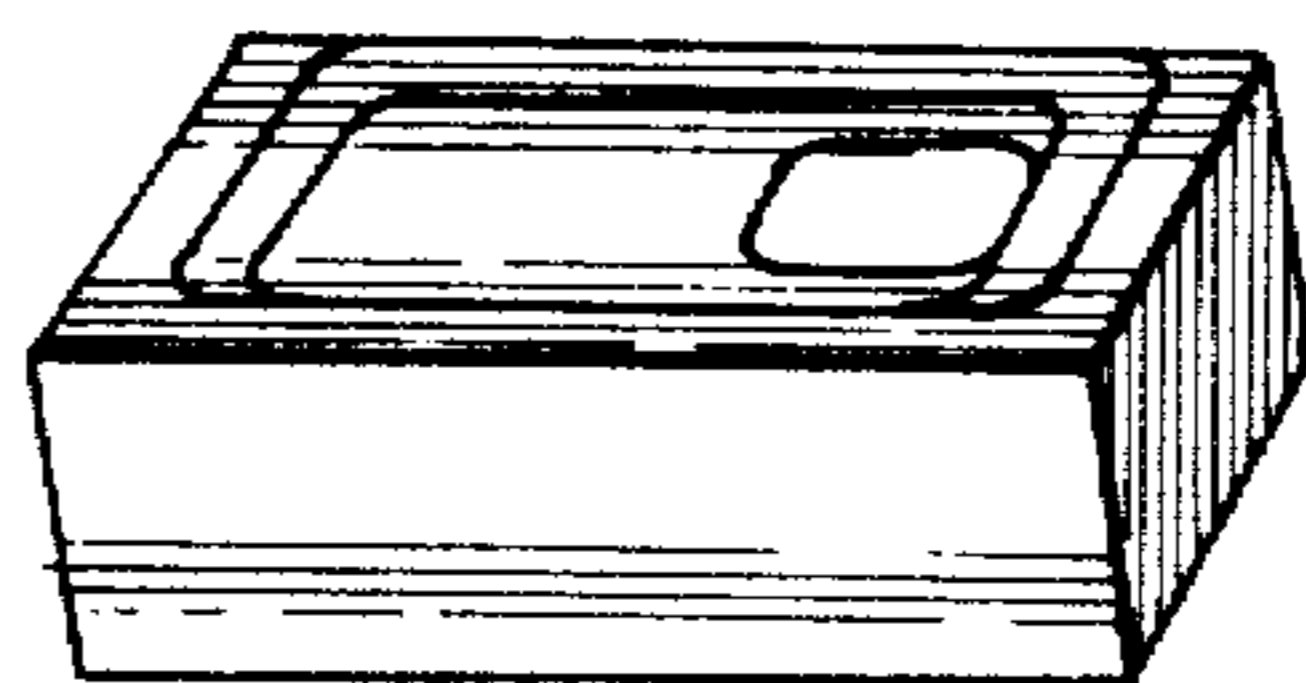
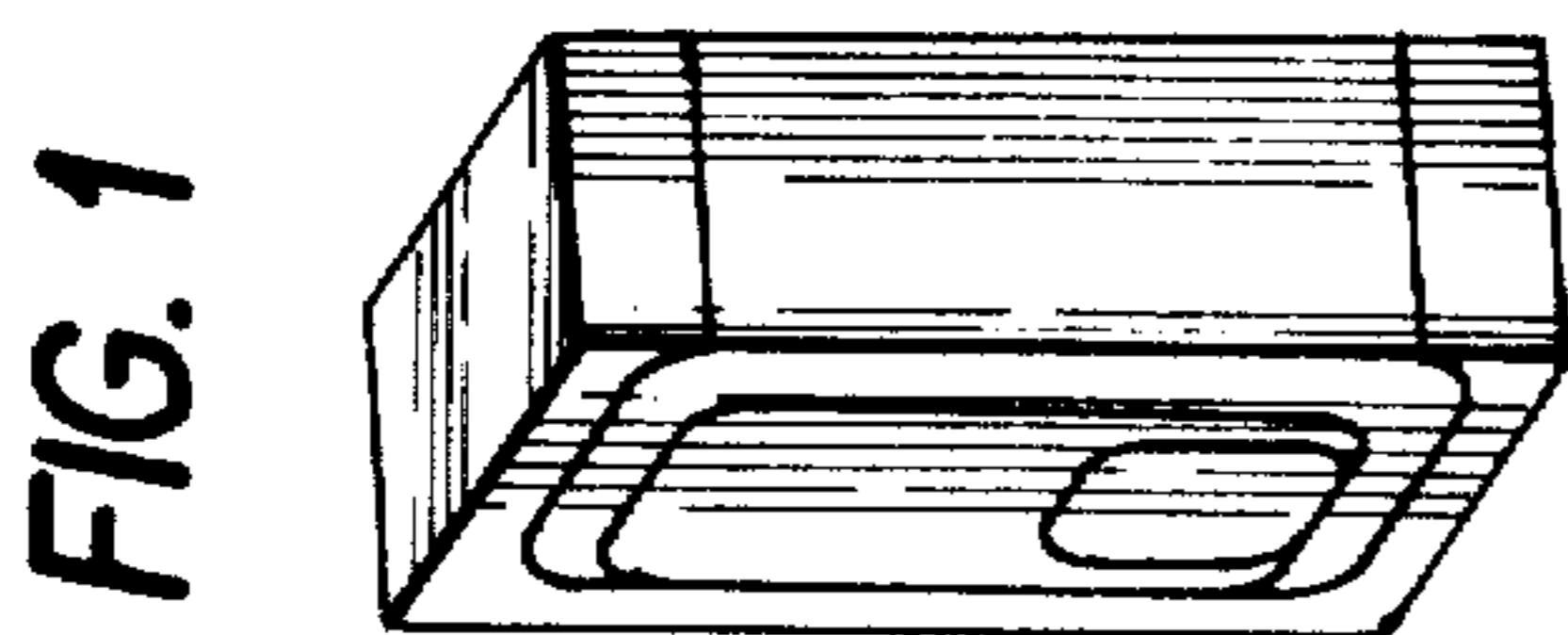
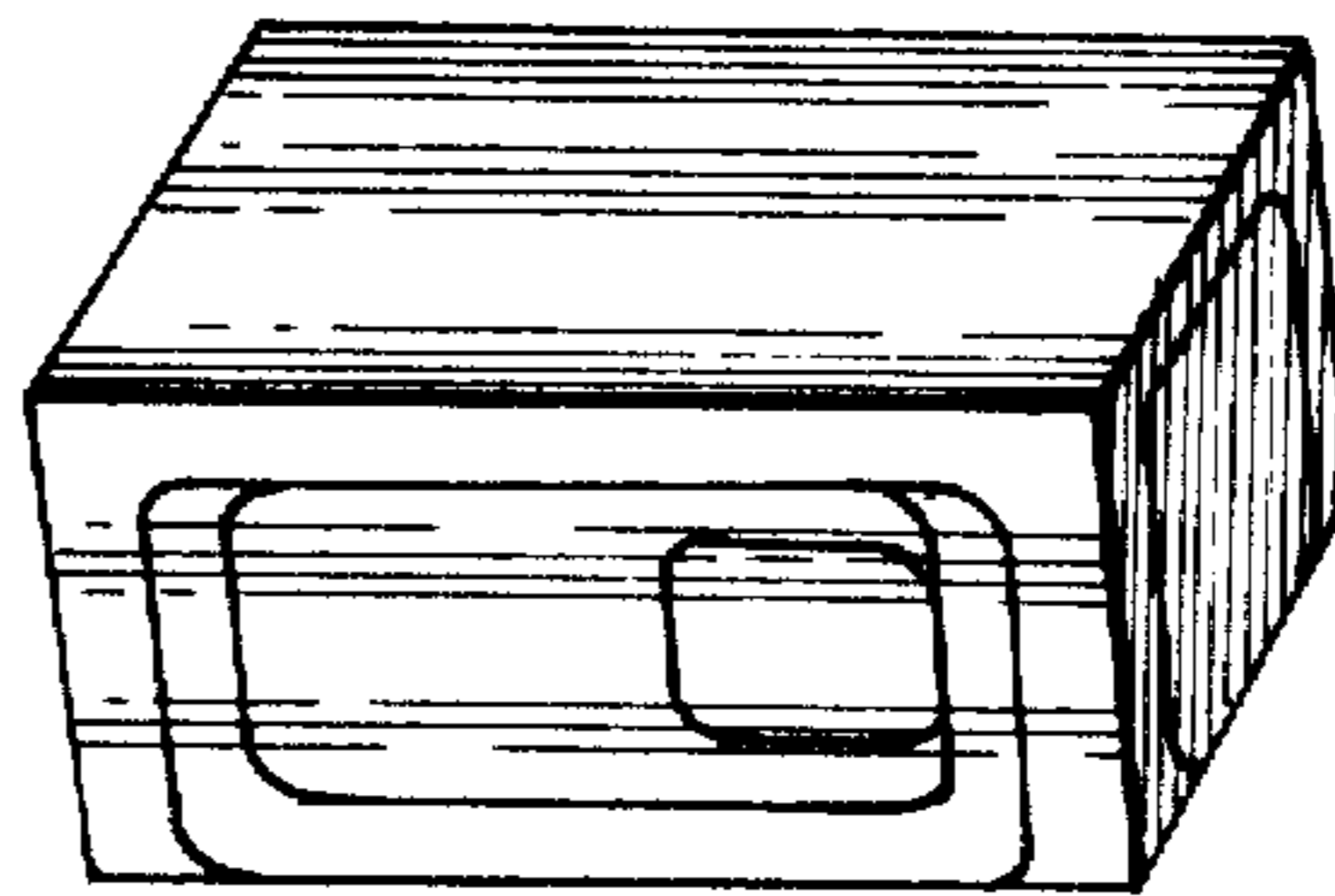
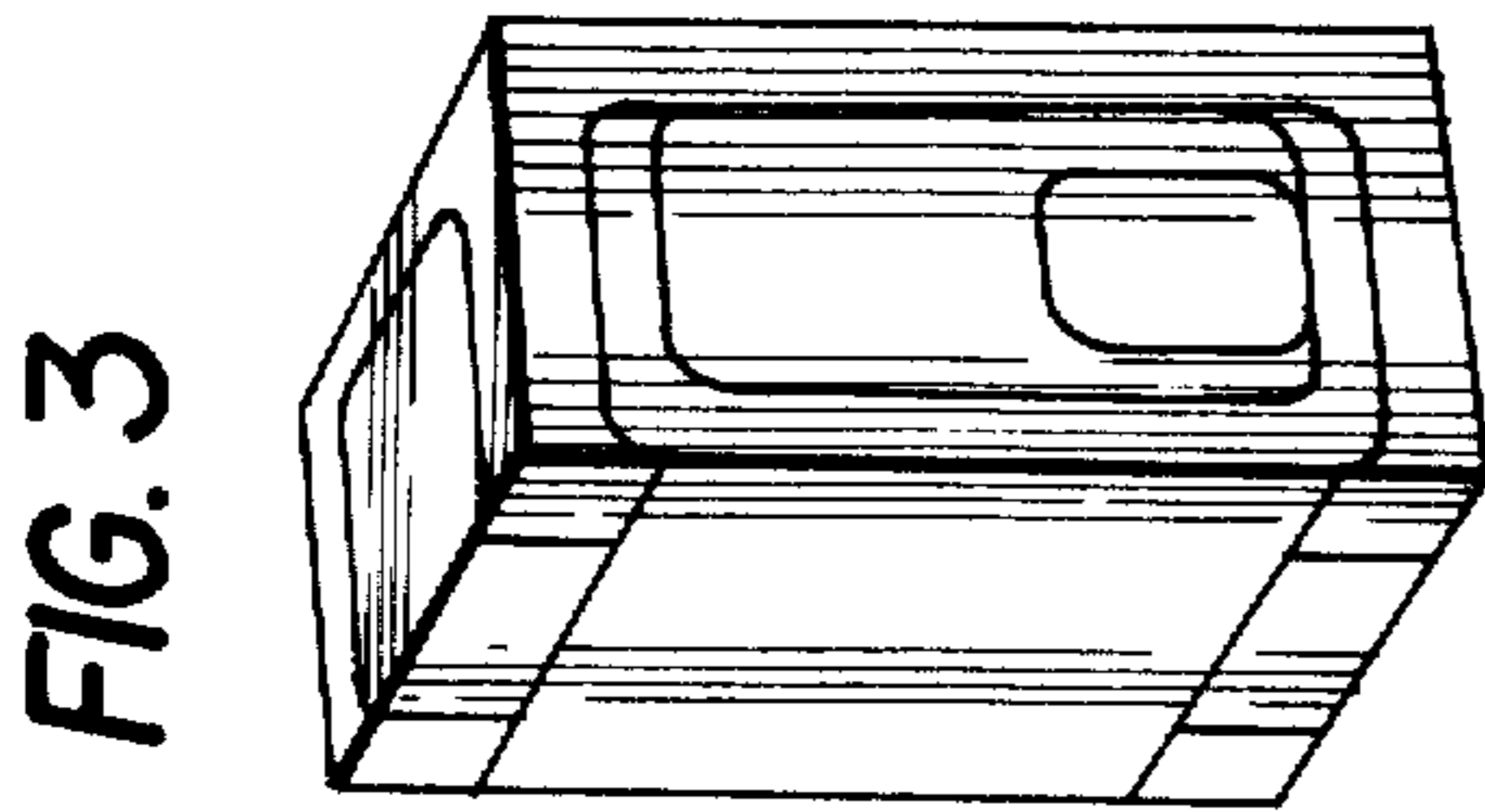
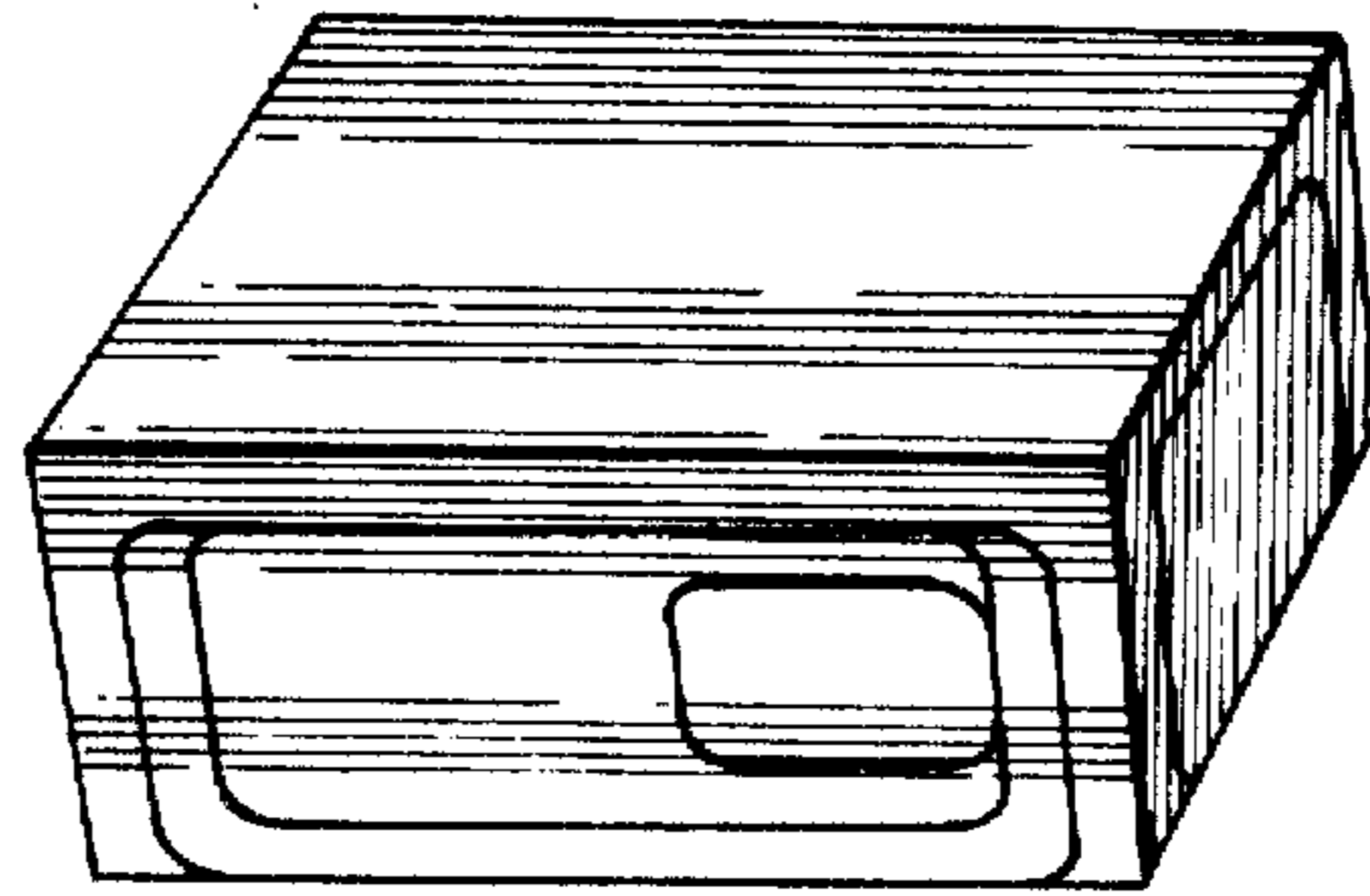
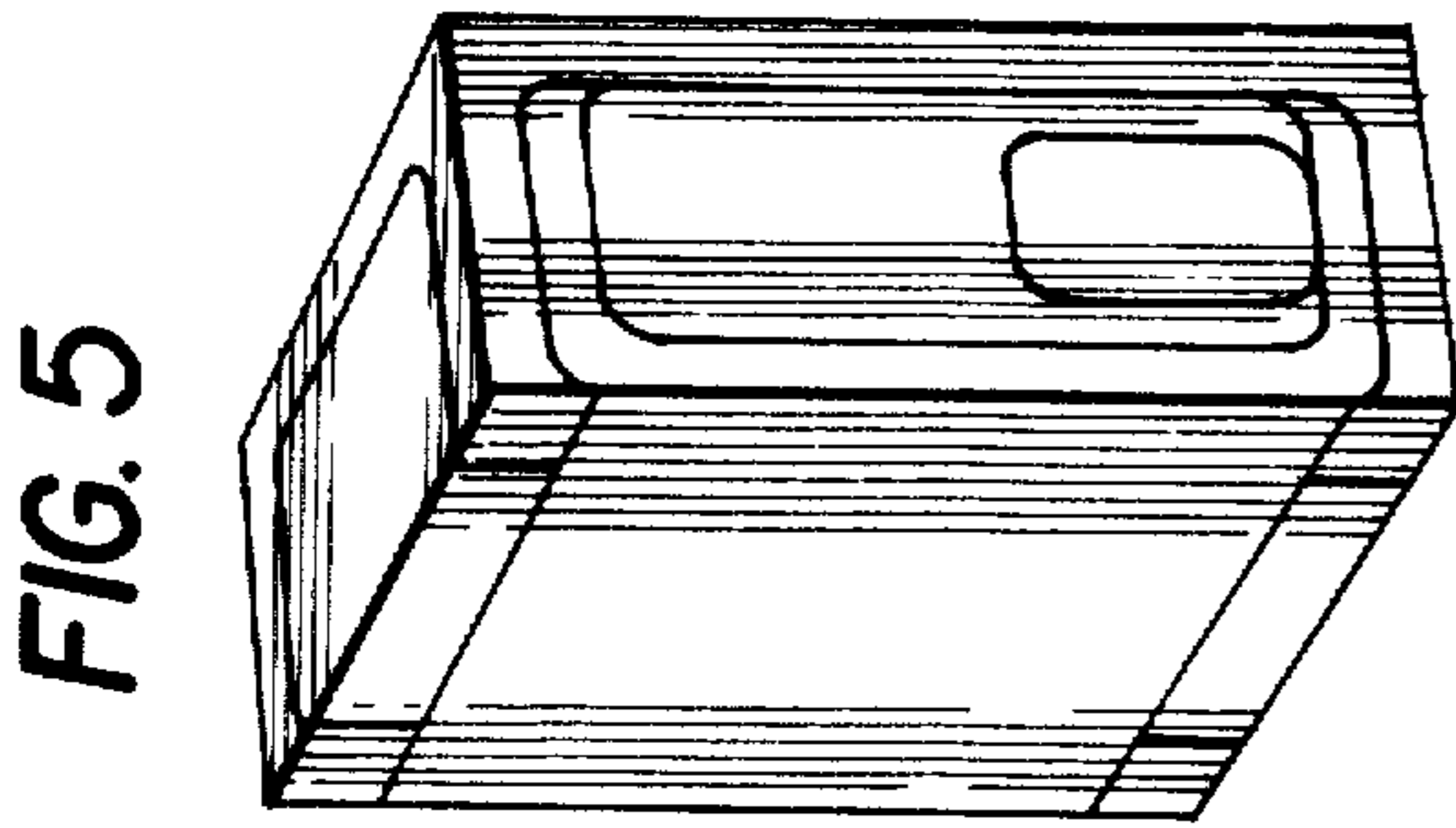
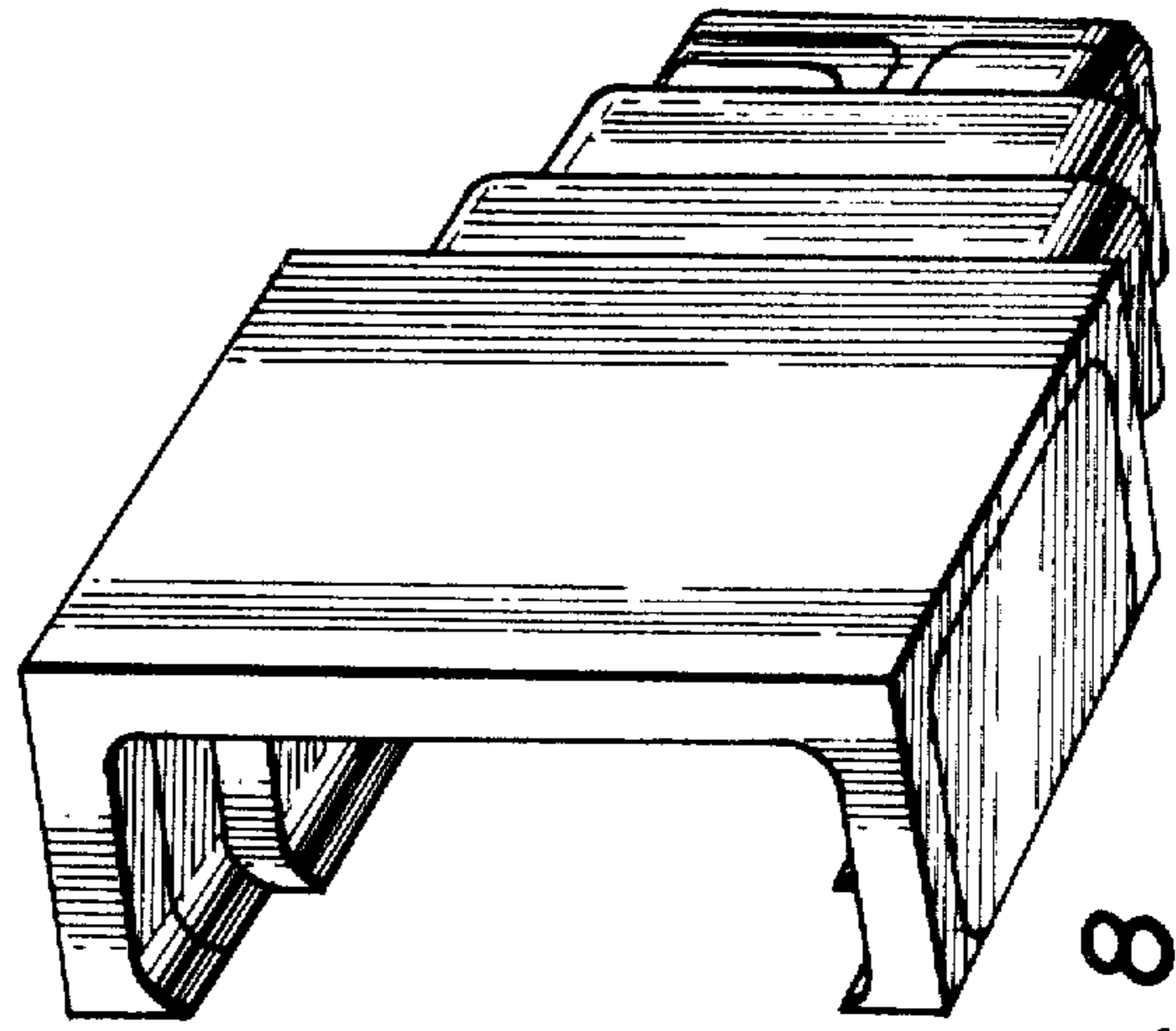
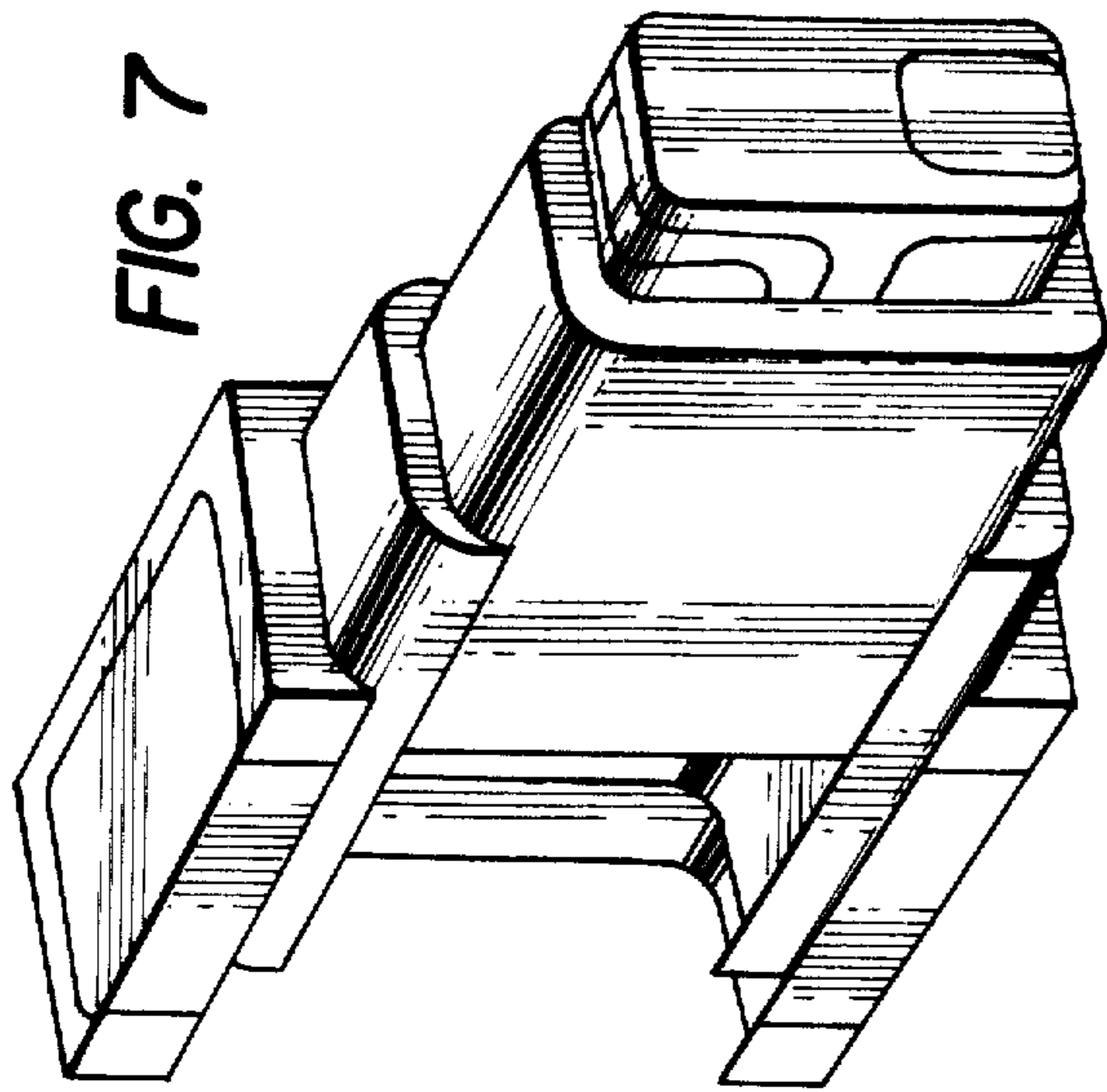


FIG. 8

FIG. 6

FIG. 4

FIG. 2

FIG. 7

FIG. 5

FIG. 3

FIG. 1

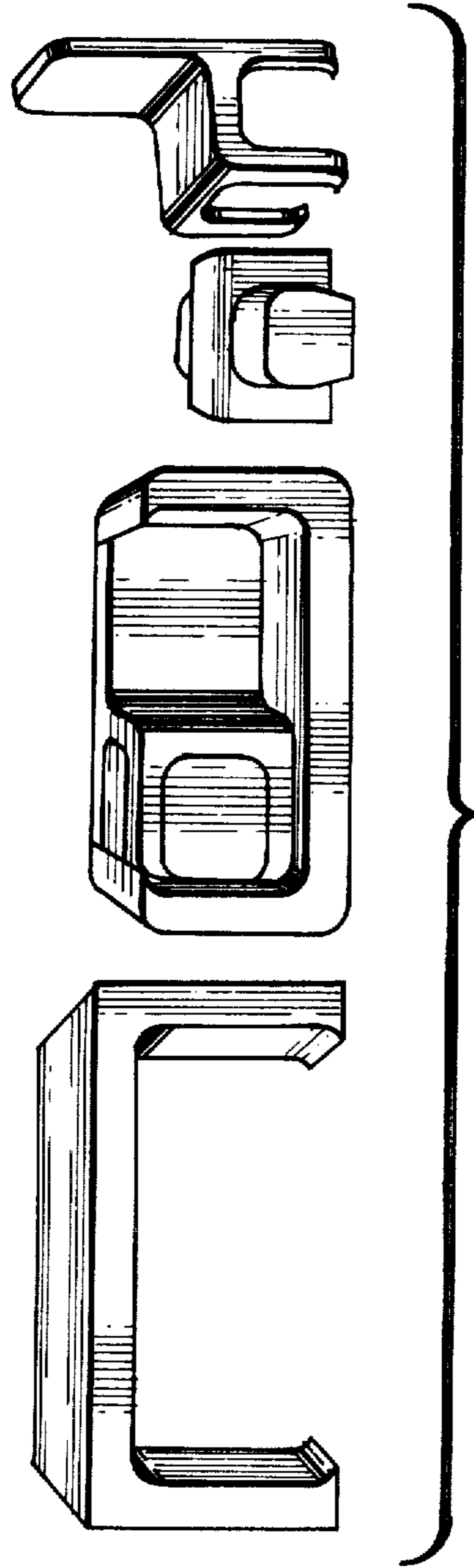


FIG. 9