

[54] **INFLATABLE CRIB GYM TOY**  
[75] **Inventor: Sheldon Greenberg, New York, N.Y.**  
[73] **Assignee: Shelcore, Inc., Piscataway, N.J.**  
[\*\*] **Term: 14 Years**  
[21] **Appl. No.: 206,267**  
[22] **Filed: Nov. 12, 1980**  
[51] **Int. Cl. .... D21-01**  
[52] **U.S. Cl. .... D21/63; D21/159**  
[58] **Field of Search .... D21/59, 63, 84, 159;**  
**46/1 R, 47, 32, 115, 116; D6/5, 14**

D. 213,983 4/1969 Simon ..... D21/63  
D. 236,904 9/1975 Snyder ..... D21/63  
2,282,881 5/1942 Ostrow ..... D21/63  
3,615,092 10/1971 Stubbmann ..... 46/175 R

*Primary Examiner*—Charles A. Rademaker  
*Attorney, Agent, or Firm*—Kirschstein, Kirschstein,  
Ottinger & Cobrin

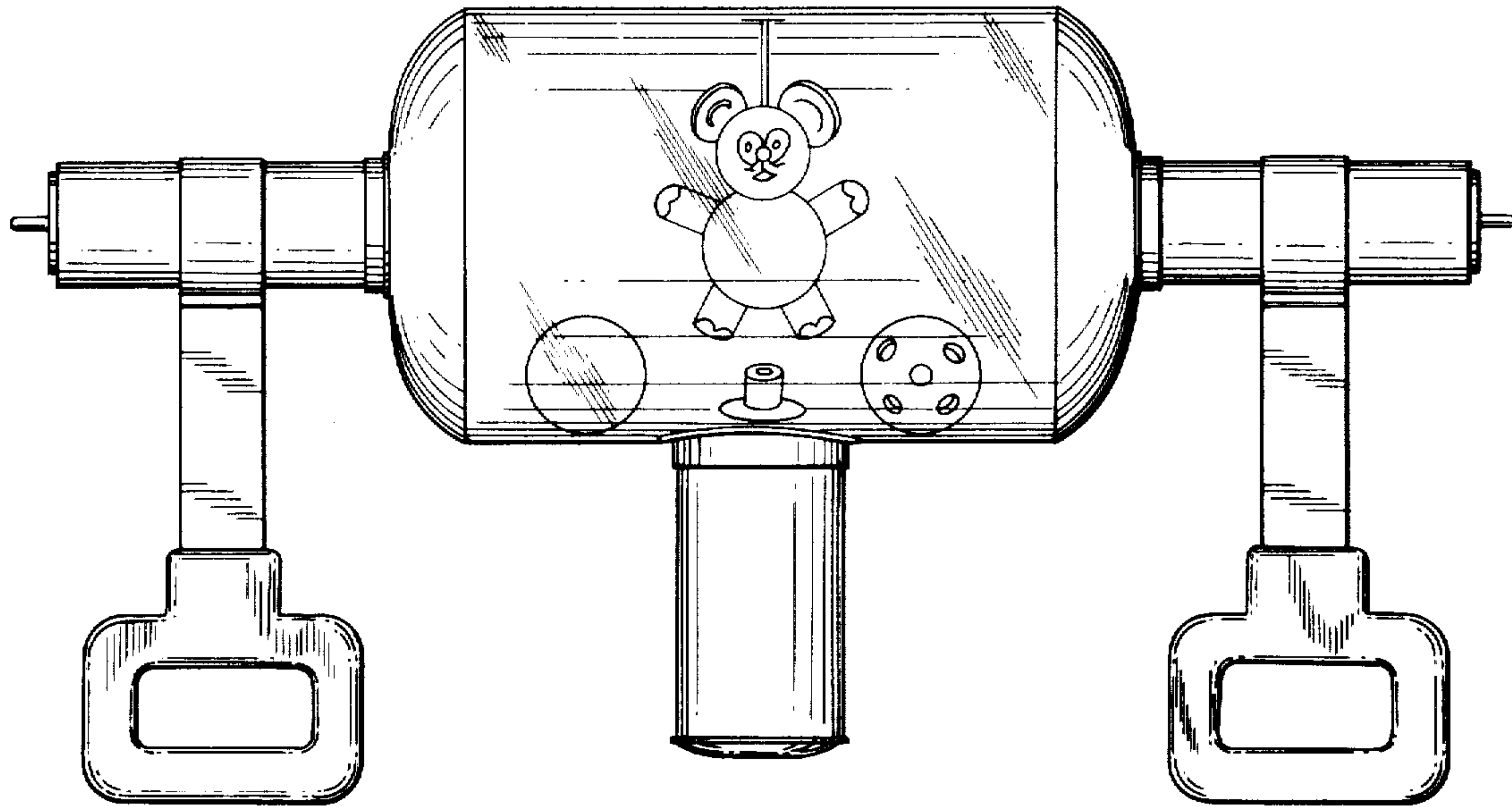
[57] **CLAIM**

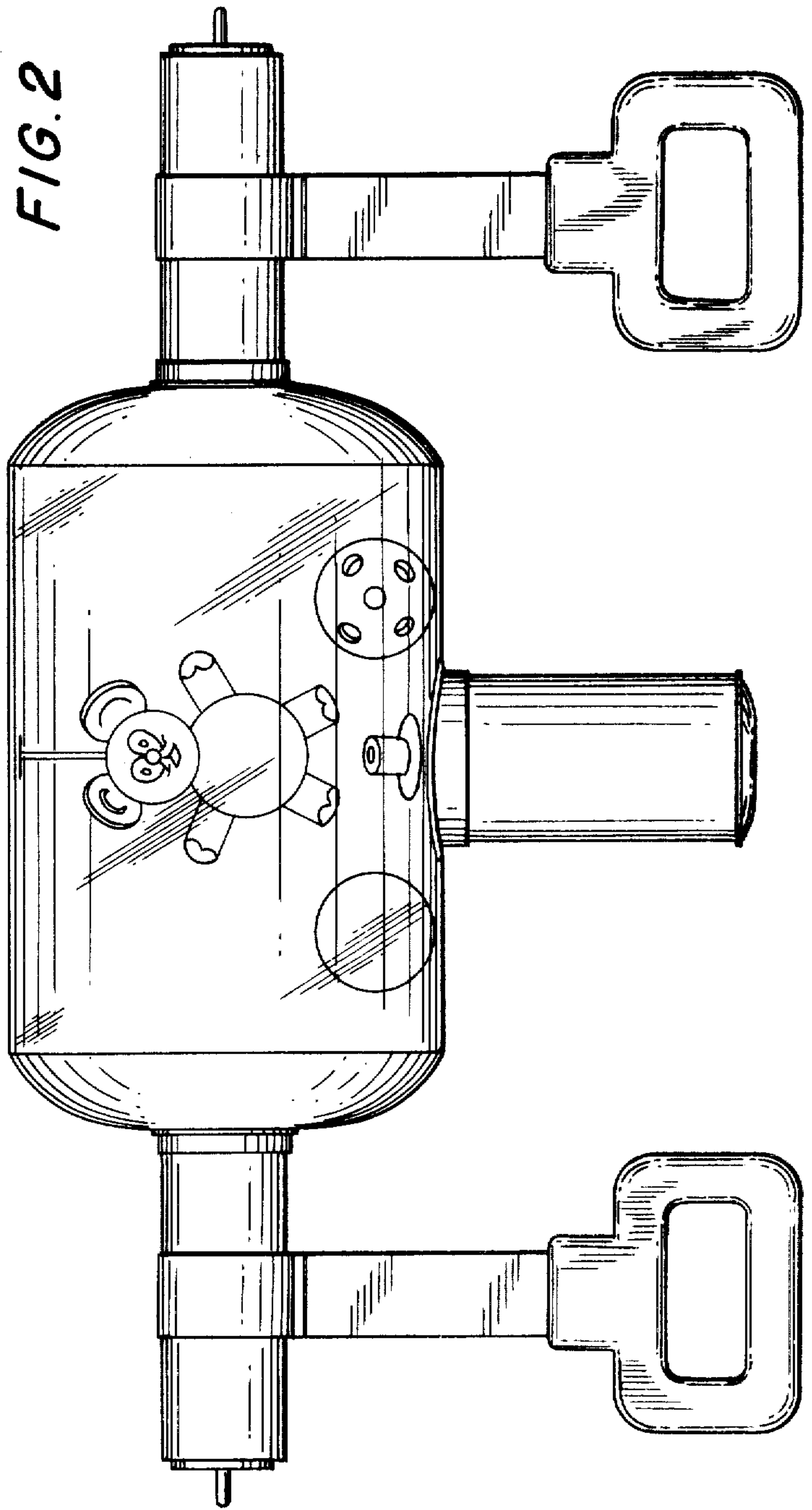
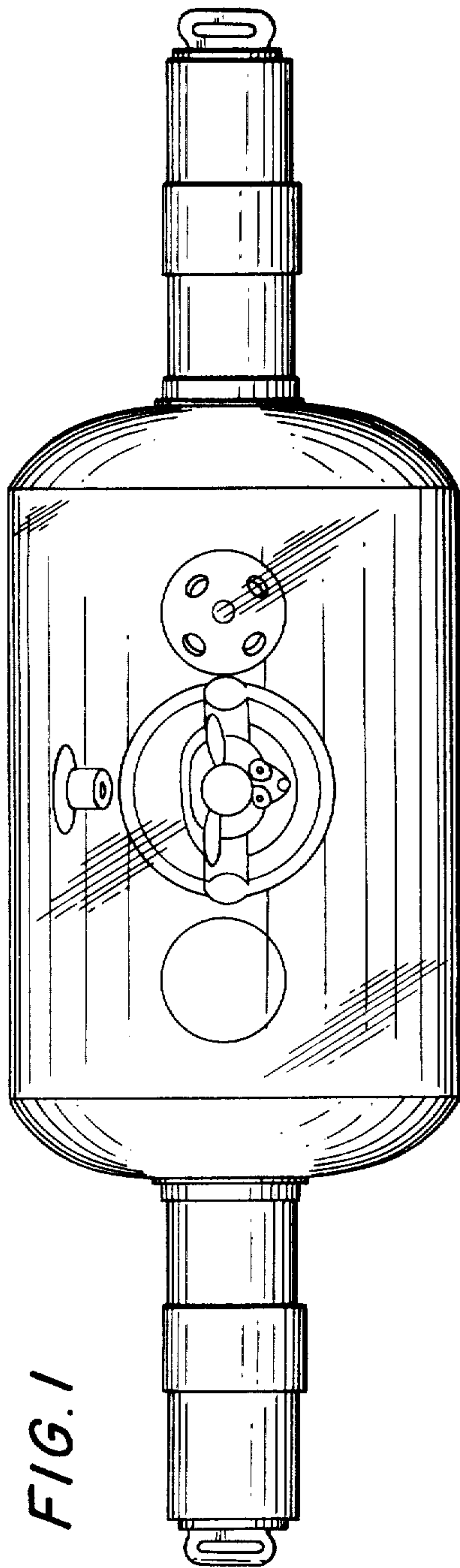
The ornamental design for an inflatable crib gym toy, substantially as shown.

**DESCRIPTION**

FIG. 1 is a top plan view of an inflatable crib gym toy showing my new design;  
FIG. 2 is a front elevational view thereof;  
FIG. 3 is a right side elevational view thereof; and,  
FIG. 4 is a bottom plan view thereof.

[56] **References Cited**  
**U.S. PATENT DOCUMENTS**  
D. 158,496 5/1950 Newman ..... D21/159





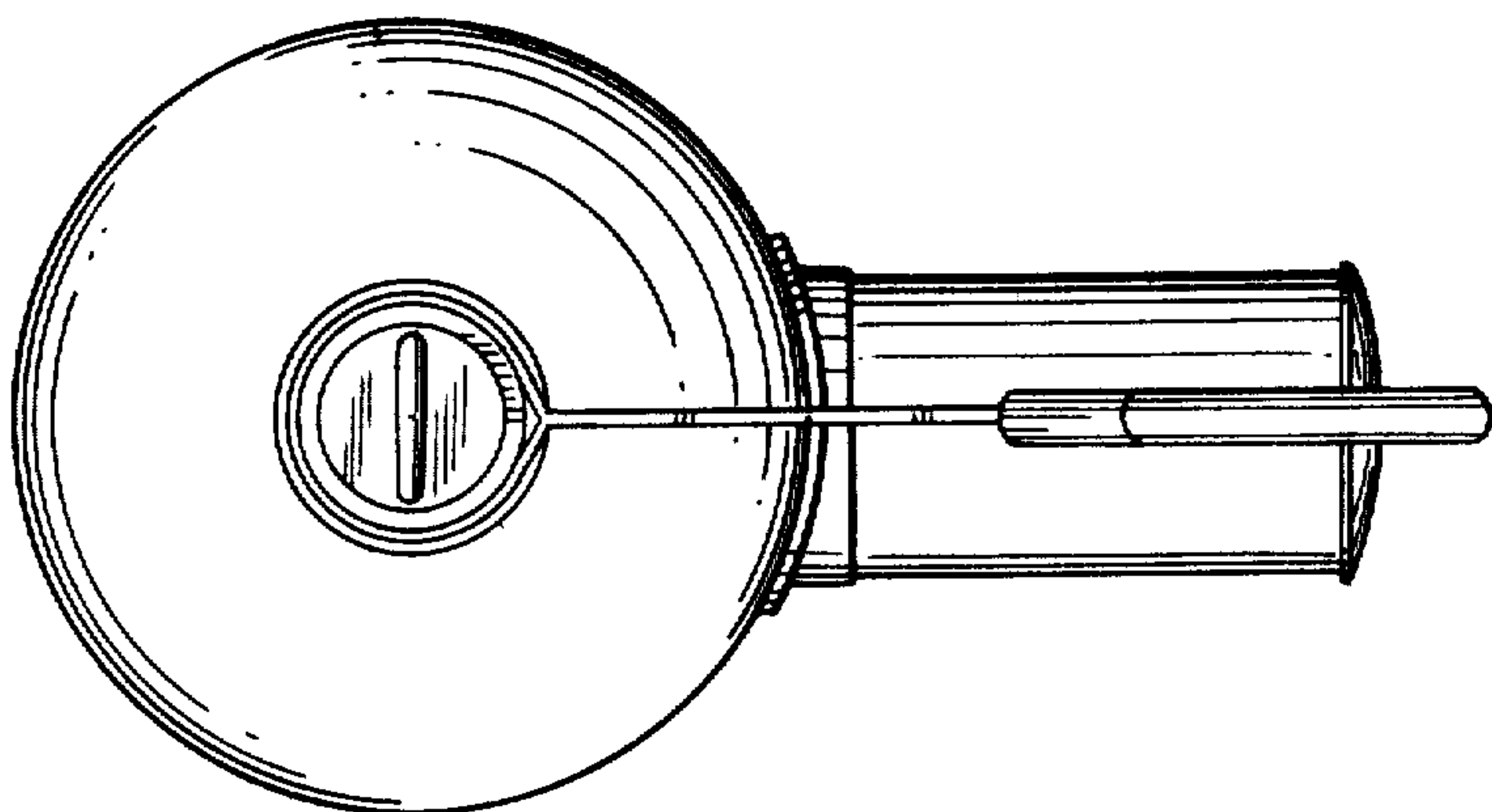


FIG. 3

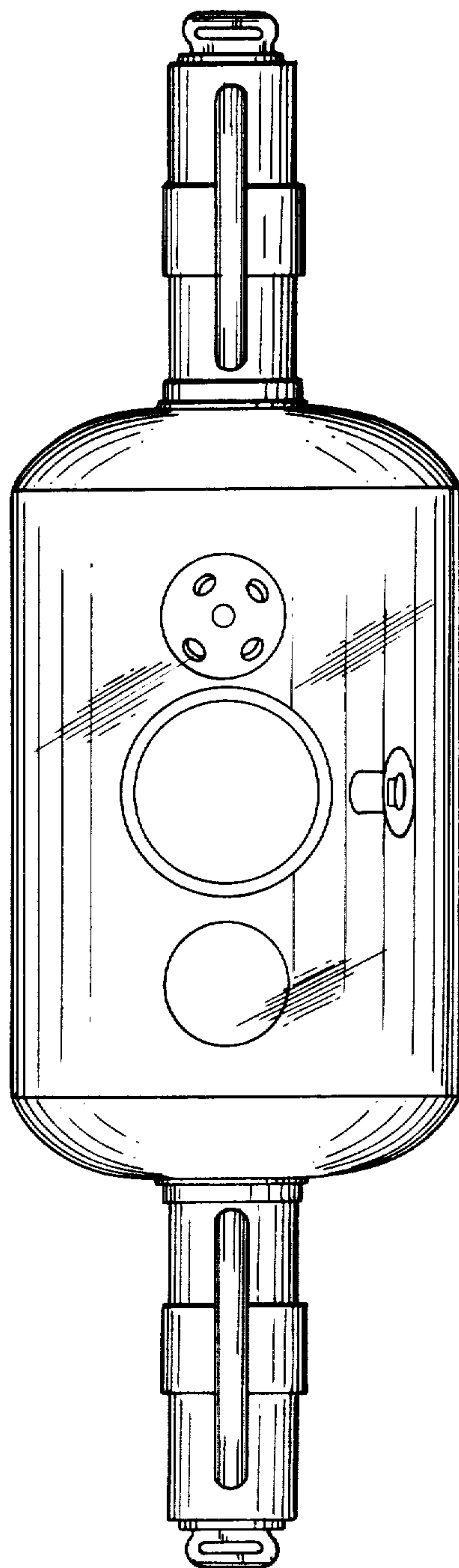


FIG. 4