

[54] **MULTIPLE ELEMENT POP-UP TOY**

[75] Inventor: **Sheldon Greenberg**, New York, N.Y.

[73] Assignee: **Shelcore, Inc.**, Piscataway, N.J.

[**] Term: **14 Years**

[21] Appl. No.: **211,635**

[22] Filed: **Dec. 1, 1980**

[51] Int. Cl. **D21-01**

[52] U.S. Cl. **D21/59; D19/59**

[58] Field of Search **D21/59, 150, 105;
D19/59, 64, 62; 434/343, 327, 259; 46/1 R**

[56] **References Cited**

U.S. PATENT DOCUMENTS

3,479,751	11/1969	Welbourn	434/259
4,149,717	4/1979	Seijiro	434/259
4,237,650	12/1980	Goldfarb	46/1 R

OTHER PUBLICATIONS

Ward's Xmas Catalog, 1980, p. 429, Item "H", Pop Up Toy.

Primary Examiner—Charles A. Rademaker
Attorney, Agent, or Firm—Kirschstein, Kirschstein, Ottinger & Cobrin

[57] **CLAIM**

The ornamental design for a multiple element pop-up toy, substantially as shown.

DESCRIPTION

FIG. 1 is a perspective view of a multiple element pop-up toy showing my new design;
FIG. 2 is a left side elevational view thereof;
FIG. 3 is a top plan view thereof;
FIG. 4 is a front elevational view thereof;
FIG. 5 is a rear elevational view thereof; and,
FIG. 6 is a bottom plan view thereof.

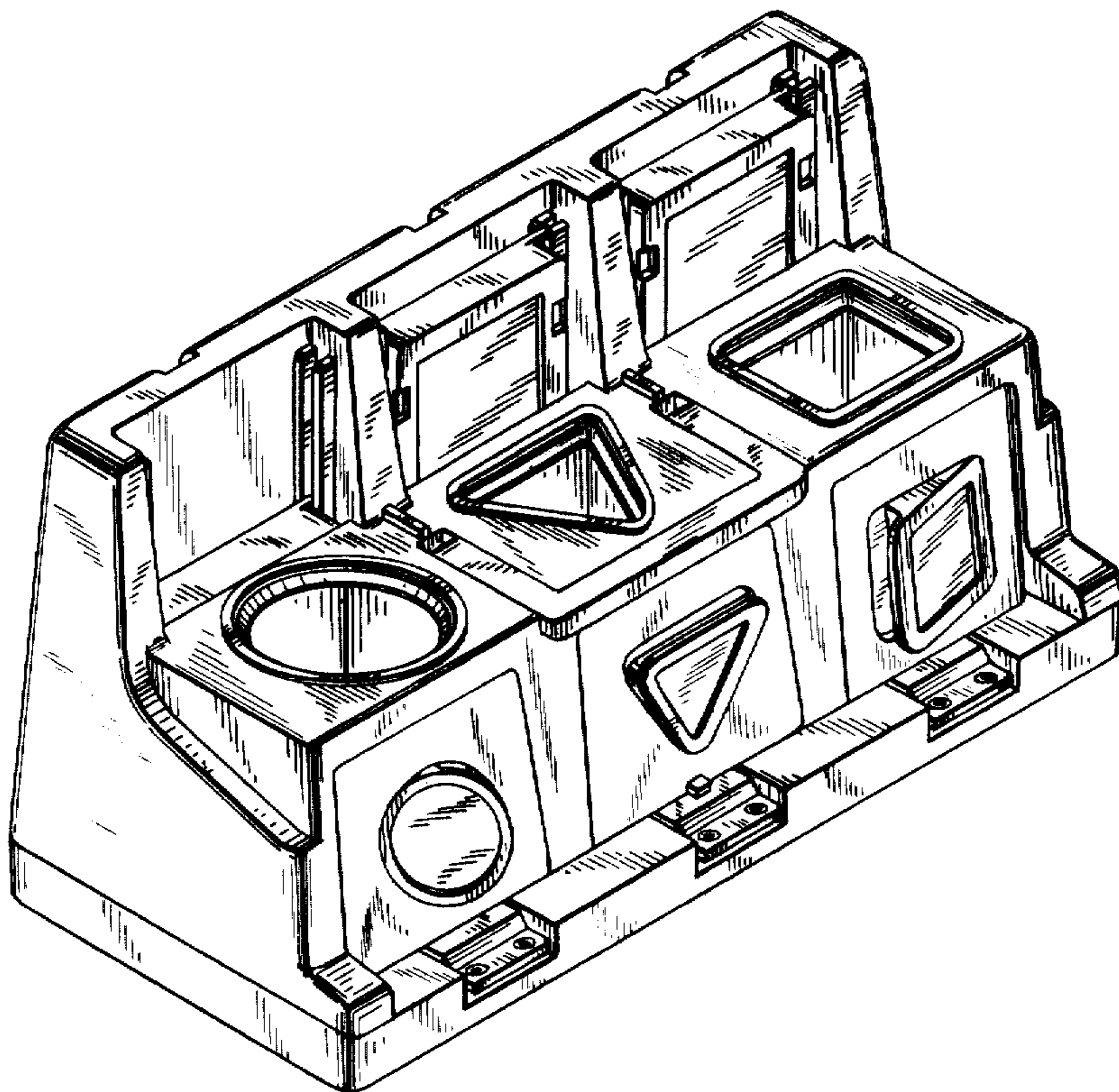


FIG. 1

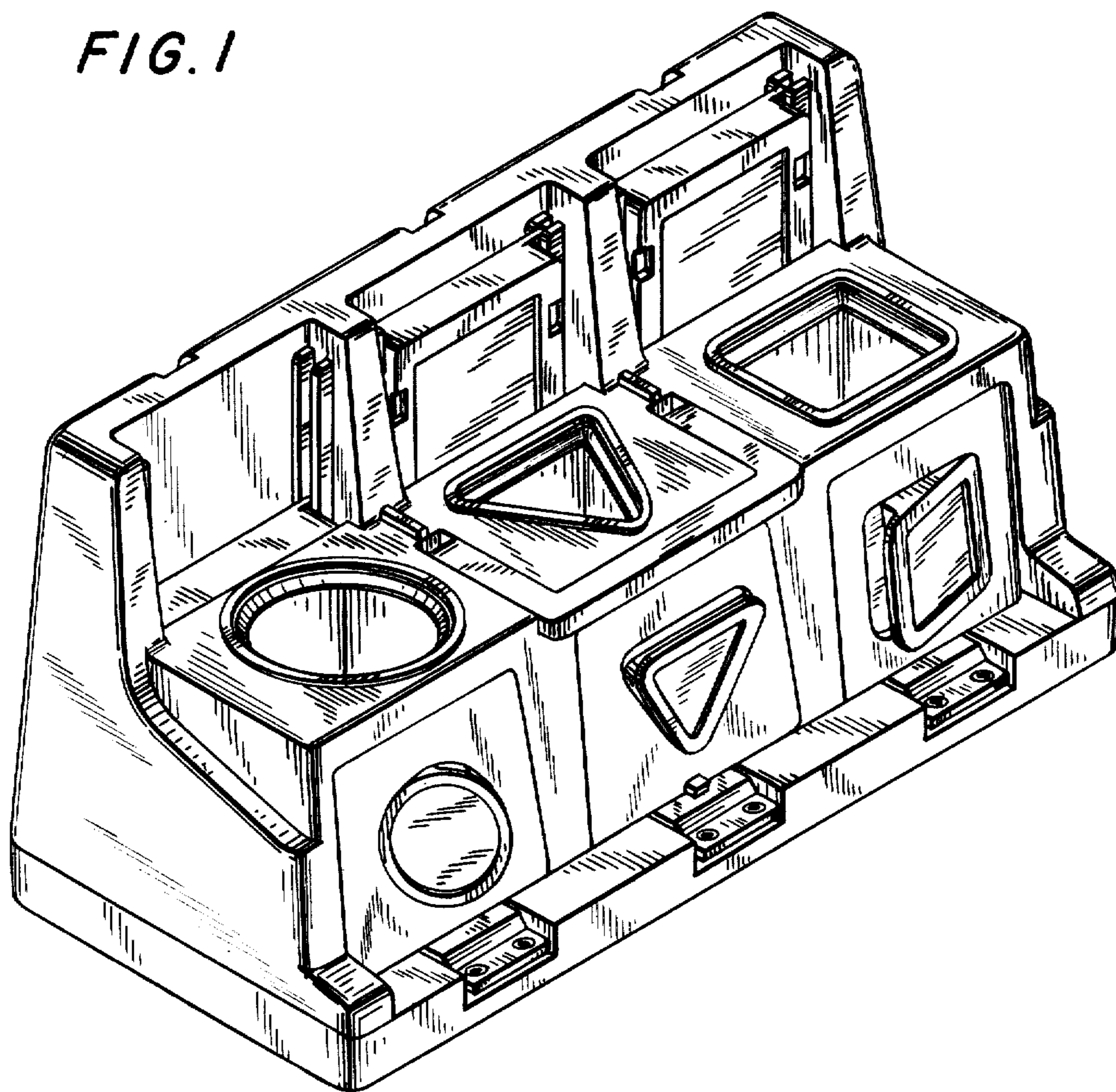


FIG. 2

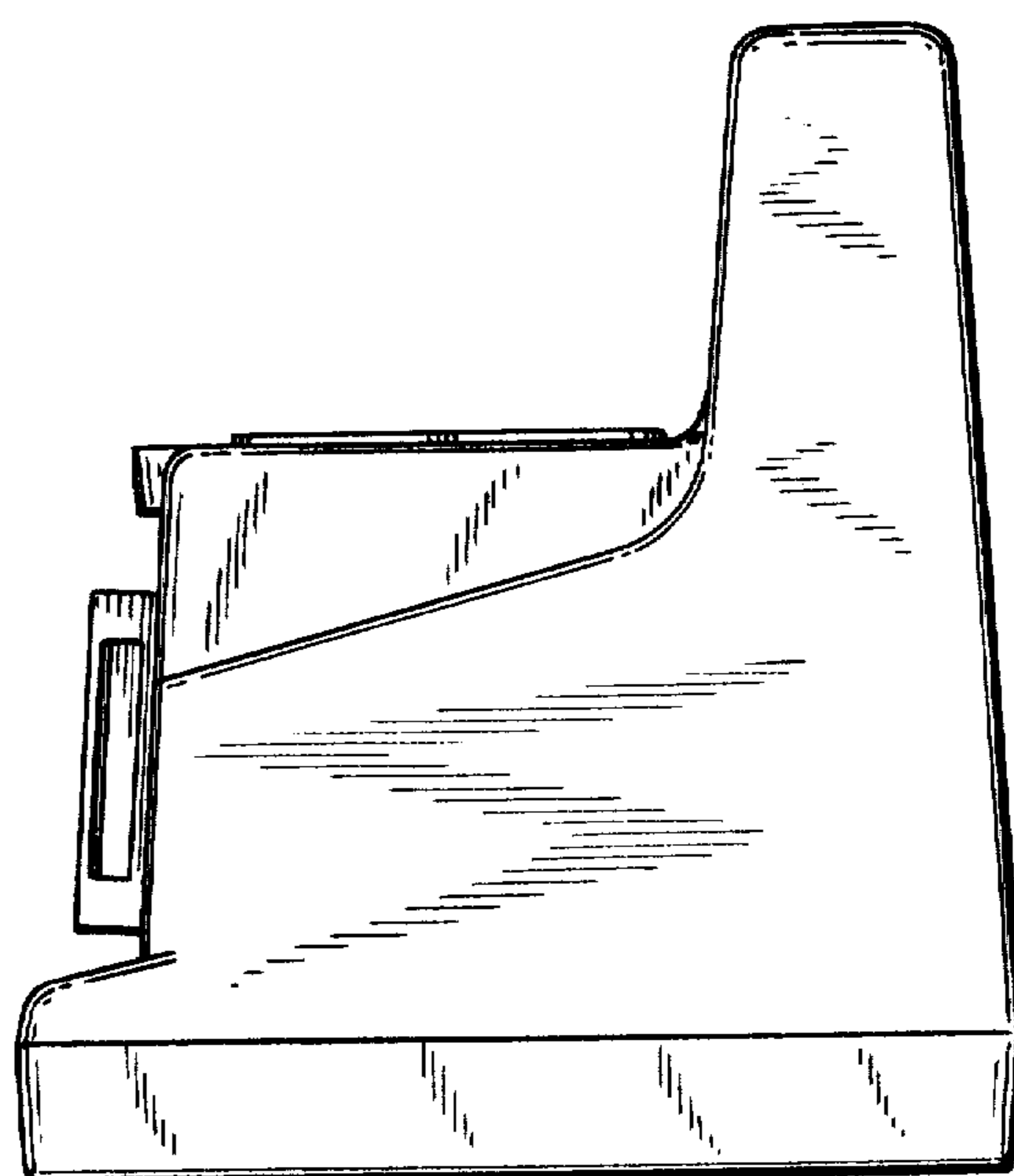


FIG. 3

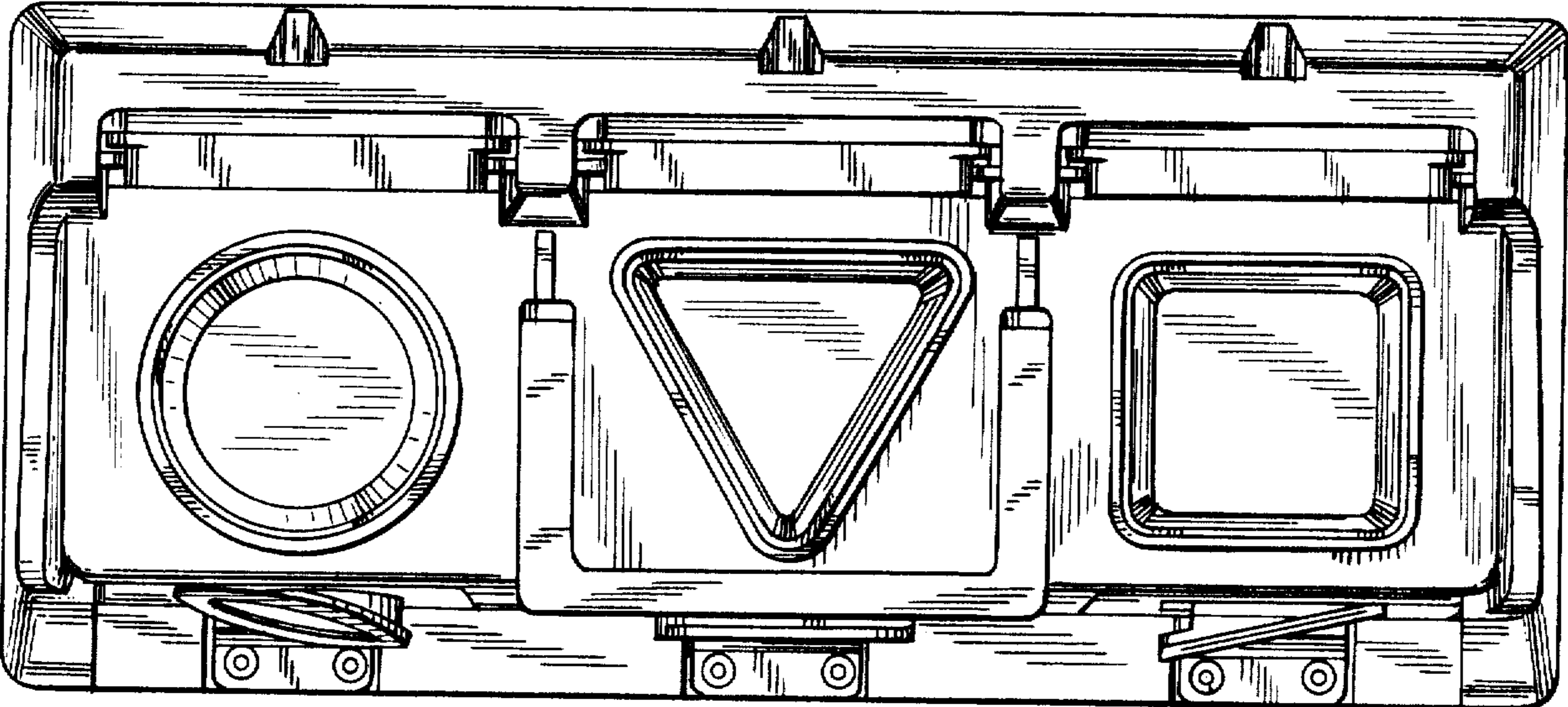


FIG. 4

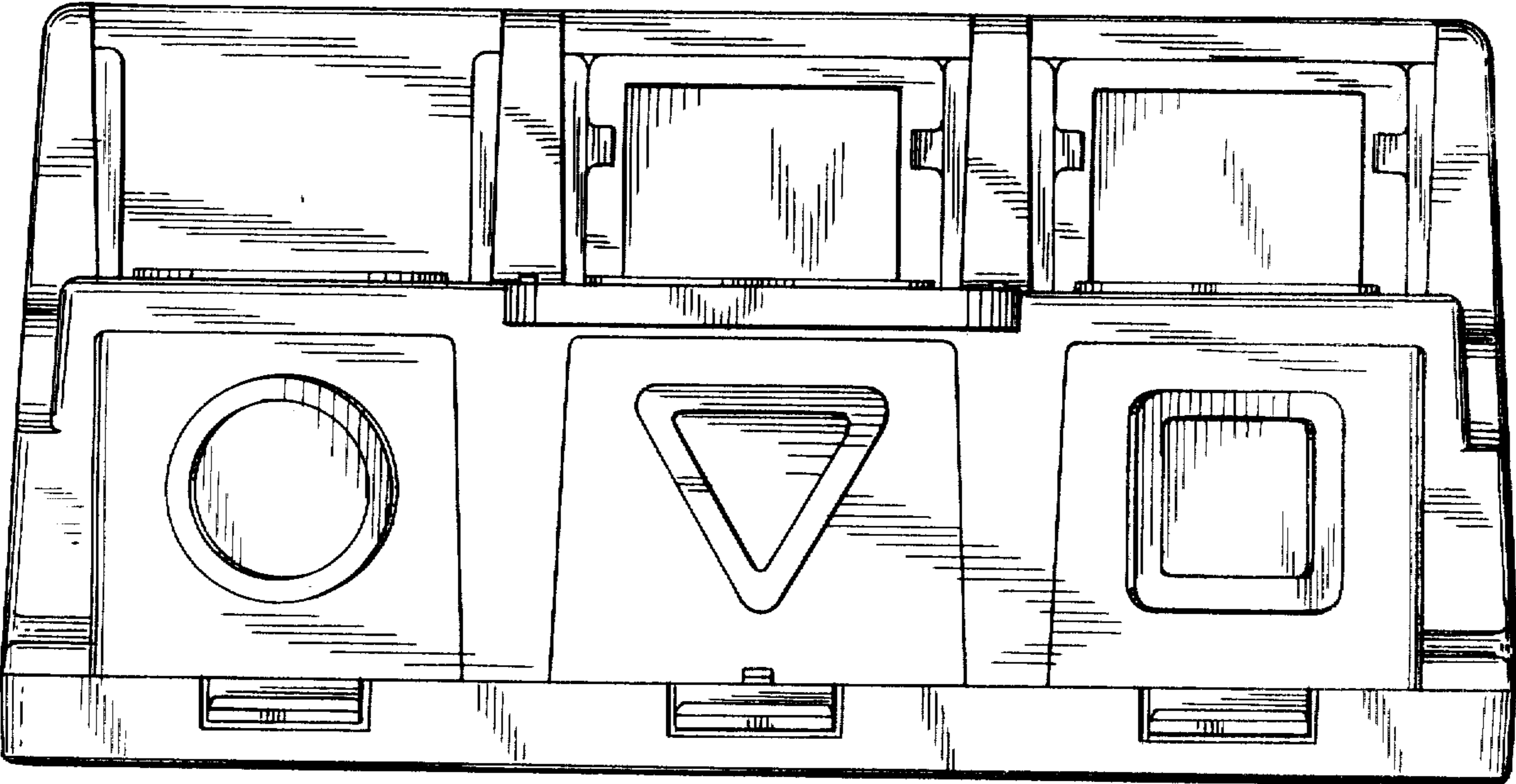


FIG. 5

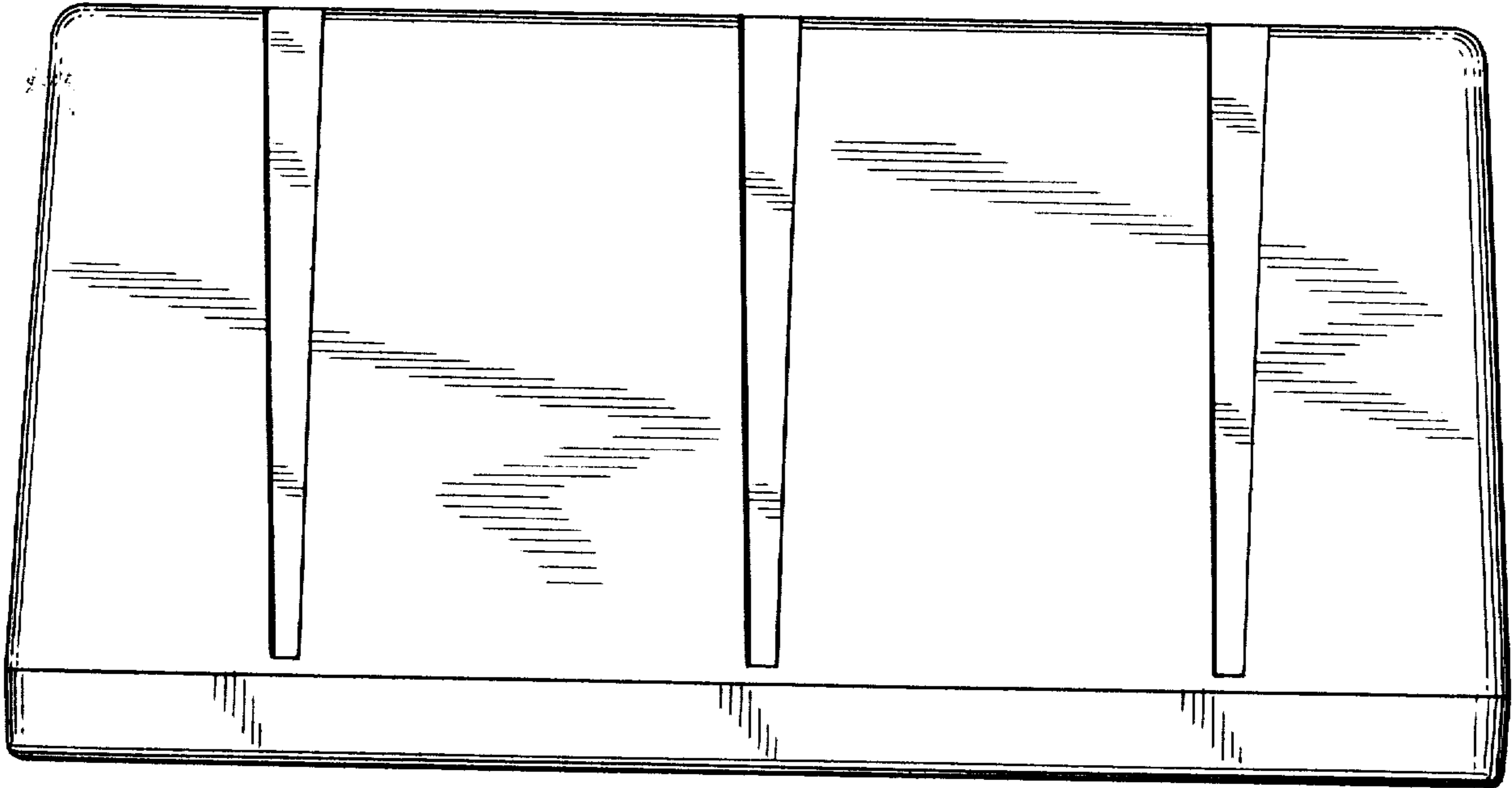


FIG. 6

