

[54] COLLATOR FOR USE WITH COPIER

[75] Inventor: Michio Imada, Kodaira, Japan

[73] Assignee: Olympus Optical Company Ltd., Tokyo, Japan

[\*\*] Term: 14 Years

[21] Appl. No.: 195,482

[22] Filed: Oct. 9, 1980

[30] Foreign Application Priority Data

Apr. 15, 1980 [JP] Japan ..... 55-14828

[51] Int. Cl. .... D16-03

[52] U.S. Cl. .... D16/32; D14/110

[58] Field of Search ..... D16/27-32; D14/110-114; 270/52, 58; 271/287-303; 355/3 SH

[56] References Cited

U.S. PATENT DOCUMENTS

- D. 236,853 9/1975 Lucker ..... D14/110
- D. 236,854 9/1975 Lucker ..... D14/110
- D. 238,737 2/1976 Patla ..... D16/27 X
- D. 244,280 5/1977 Cross ..... D16/32
- D. 254,372 3/1980 Sinn ..... D14/110
- D. 261,522 10/1981 Snellman ..... D16/32

- D. 261,653 11/1981 Lawrence ..... D14/10
- 4,179,115 12/1979 Ruenzi ..... 271/297

OTHER PUBLICATIONS

*Office Products*, 7/75, p. 55, Collator at bottom left.

*Primary Examiner*—Nelson C. Holtje  
*Attorney, Agent, or Firm*—Weinstein & Sutton

[57] CLAIM

The ornamental design for a collator for use with copier, as shown and described.

DESCRIPTION

FIG. 1 is a top and right front perspective view of a collator for use with copier showing my new design; FIG. 2 is a bottom and left rear perspective view thereof; FIG. 3 is a front elevational view thereof; FIG. 4 is a rear elevational view thereof; FIG. 5 is a left side elevational view thereof; FIG. 6 is a right side elevational view thereof; FIG. 7 is a top plan view thereof; FIG. 8 is a bottom plan view thereof; FIG. 9 is a front elevational view thereof with the copied paper receiver moved to the right. The broken-line showing of a copier thereon is environmental and forms no part of the claimed design.

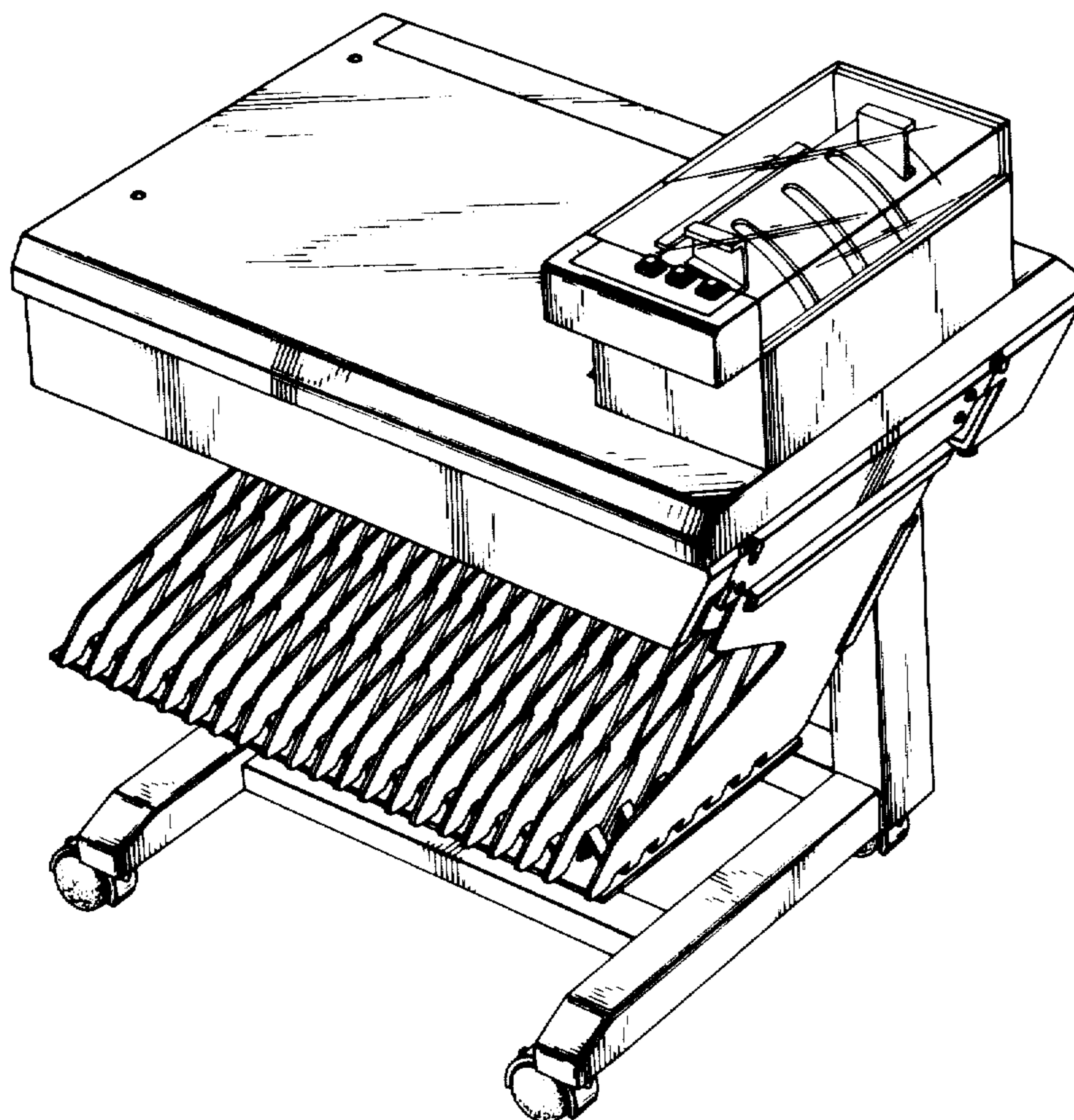


FIG. 1

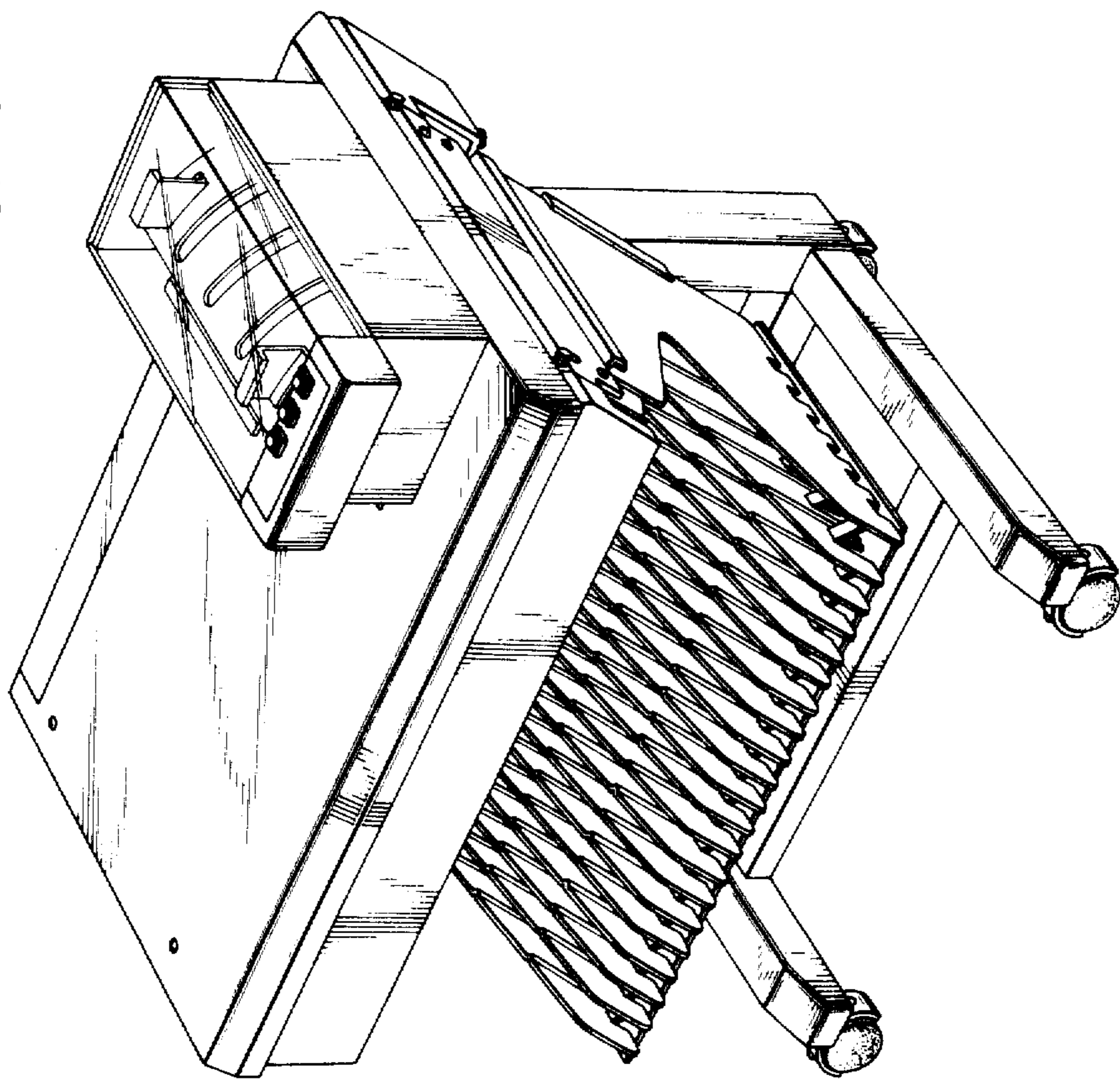


FIG. 2

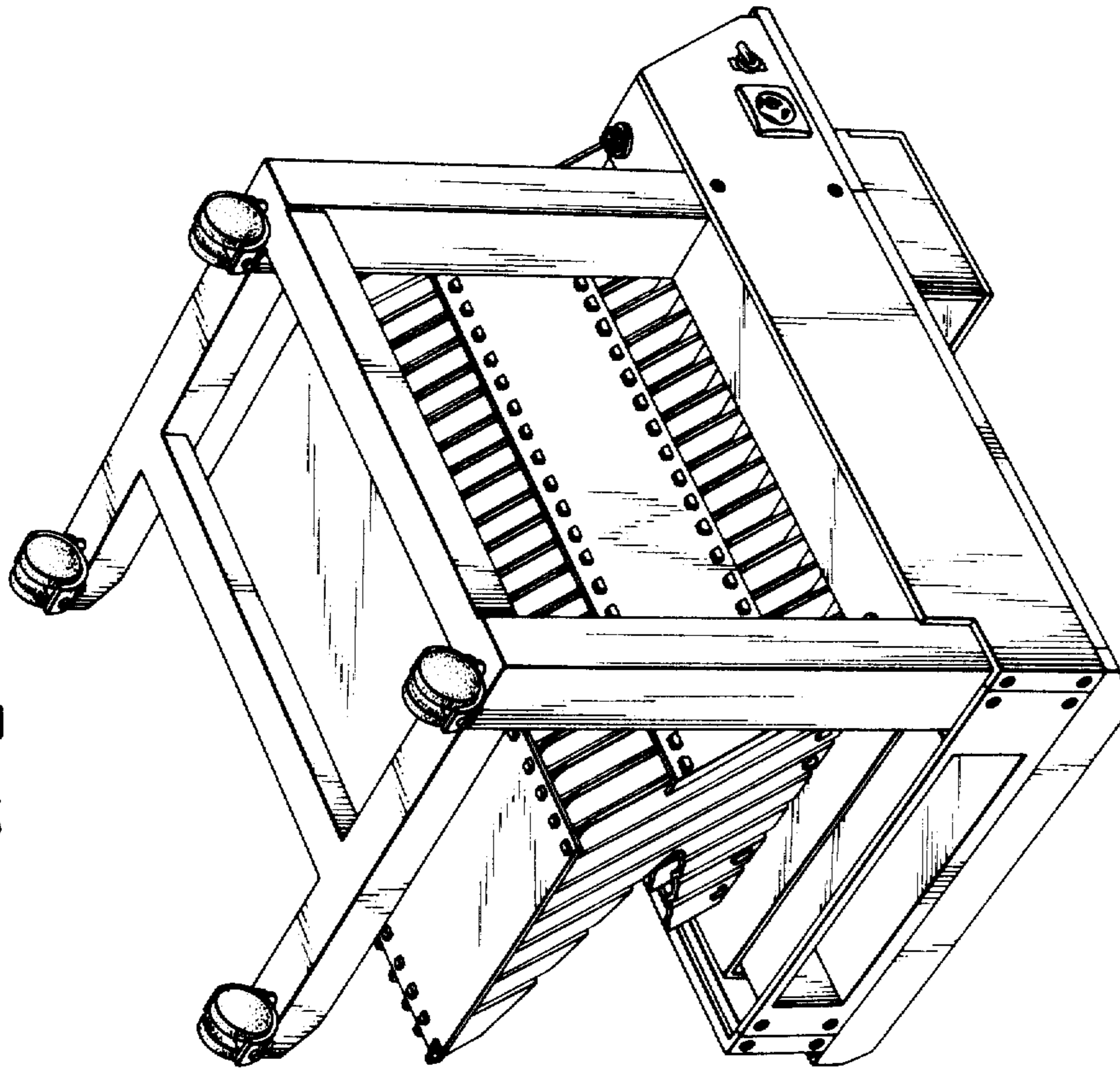


FIG. 4

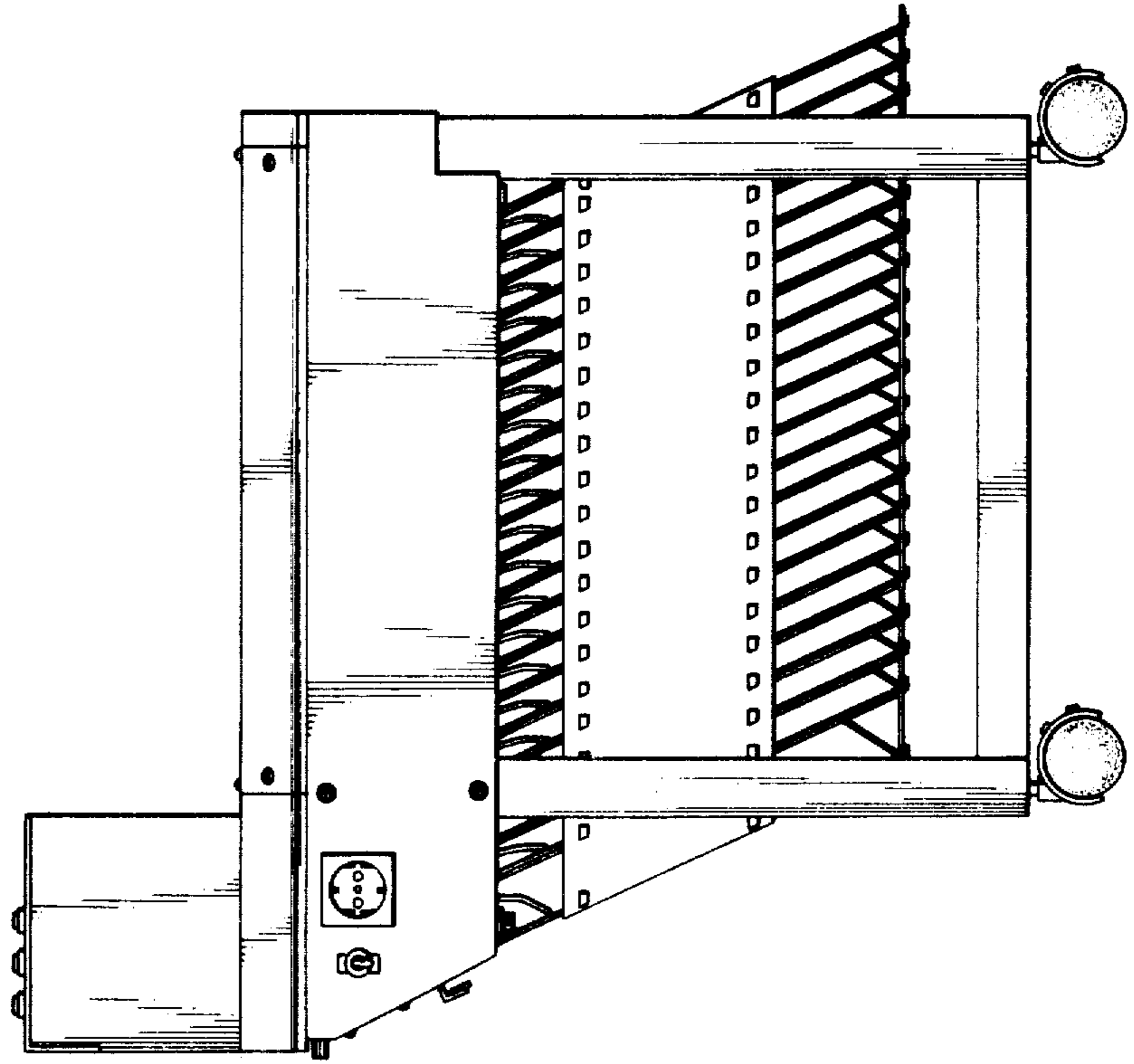


FIG. 3

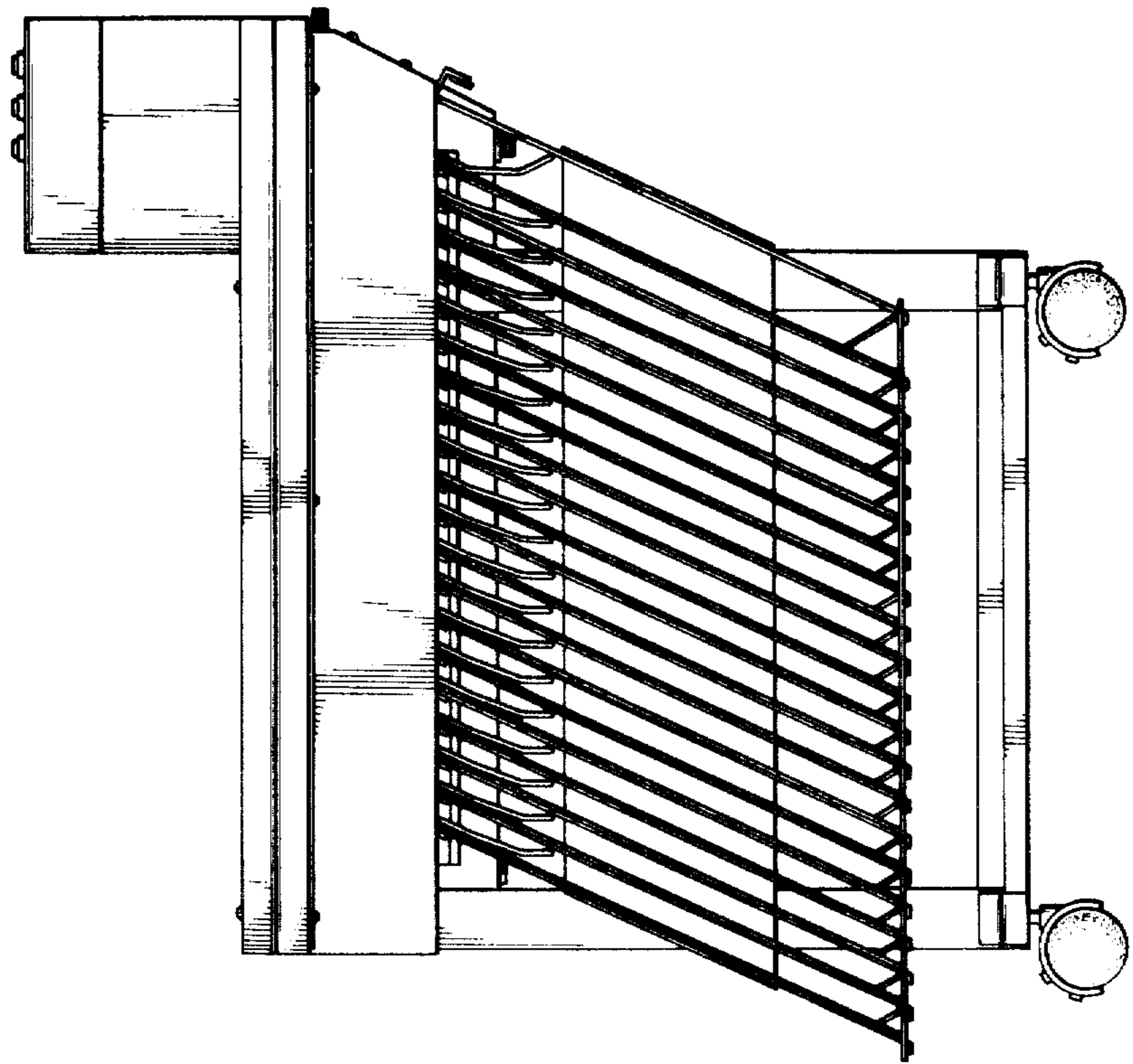


FIG. 6

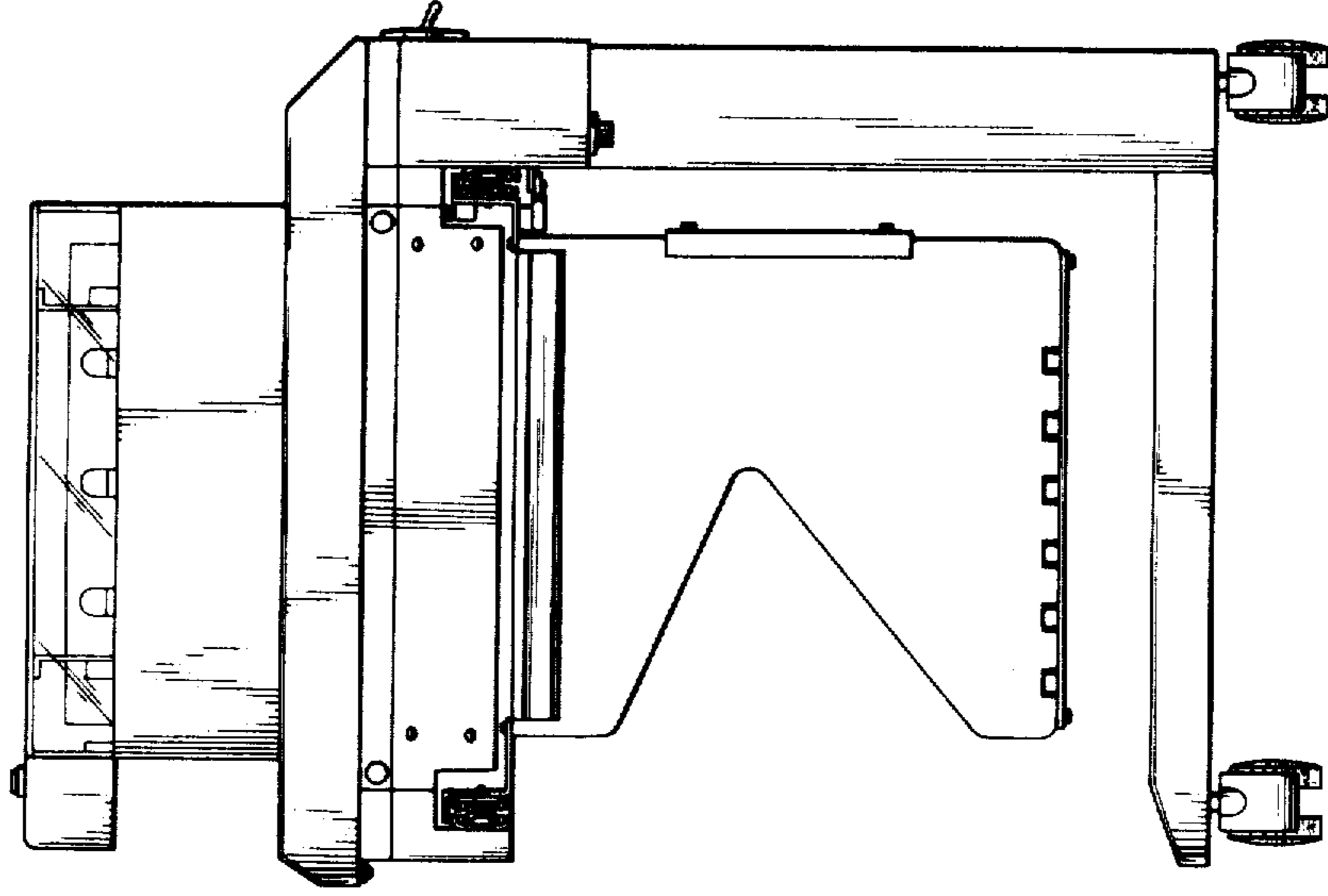


FIG. 5

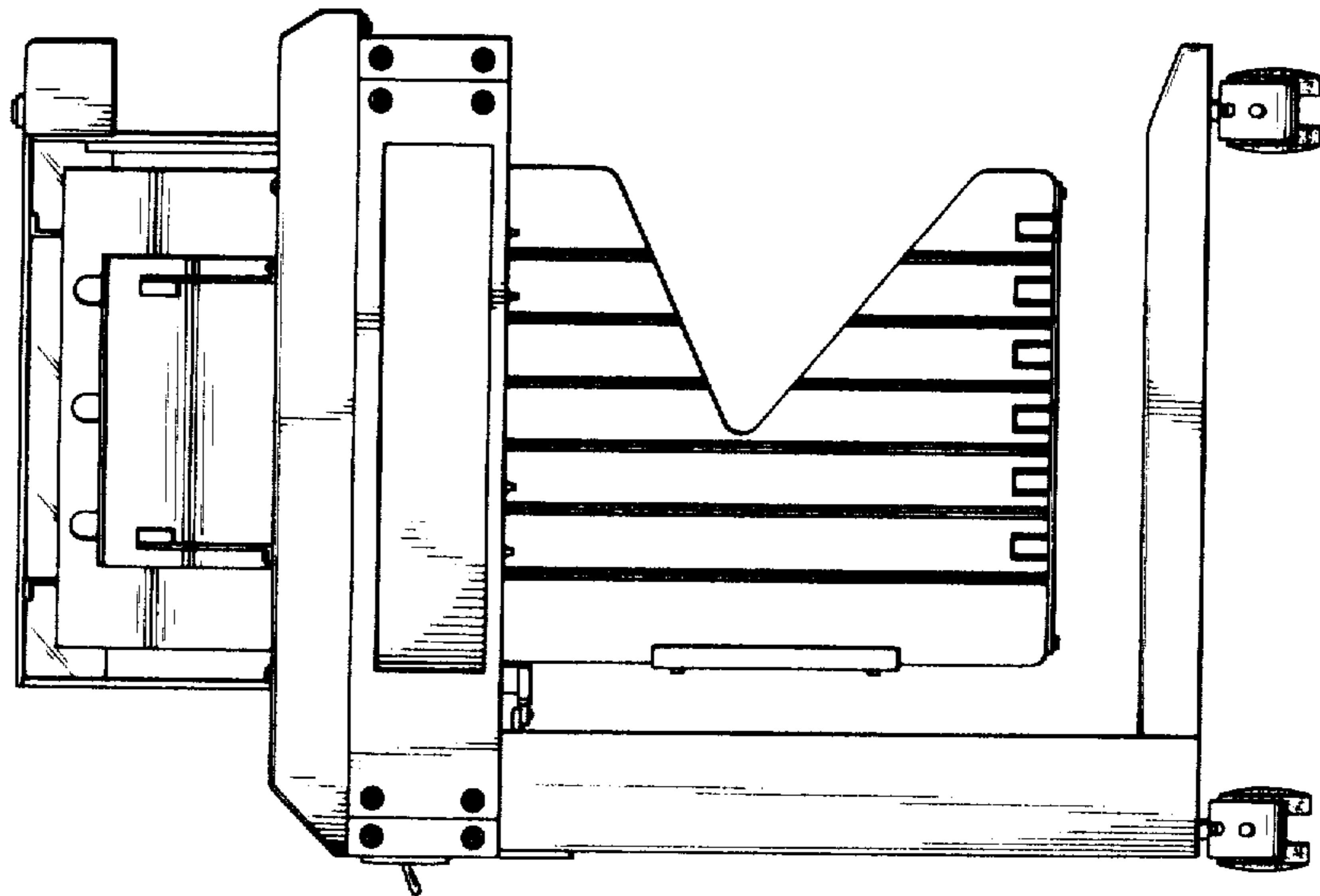


FIG. 7

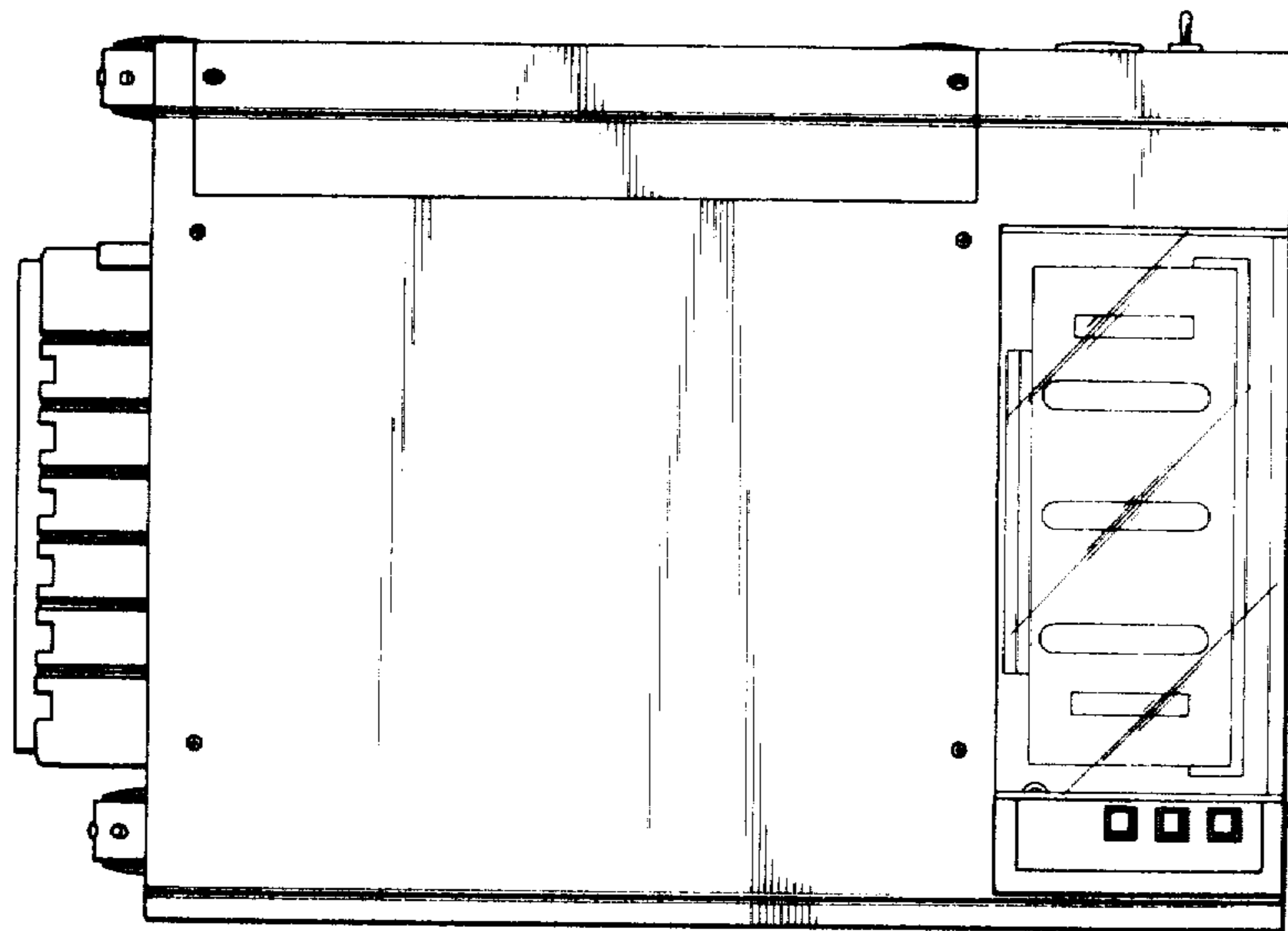


FIG. 8

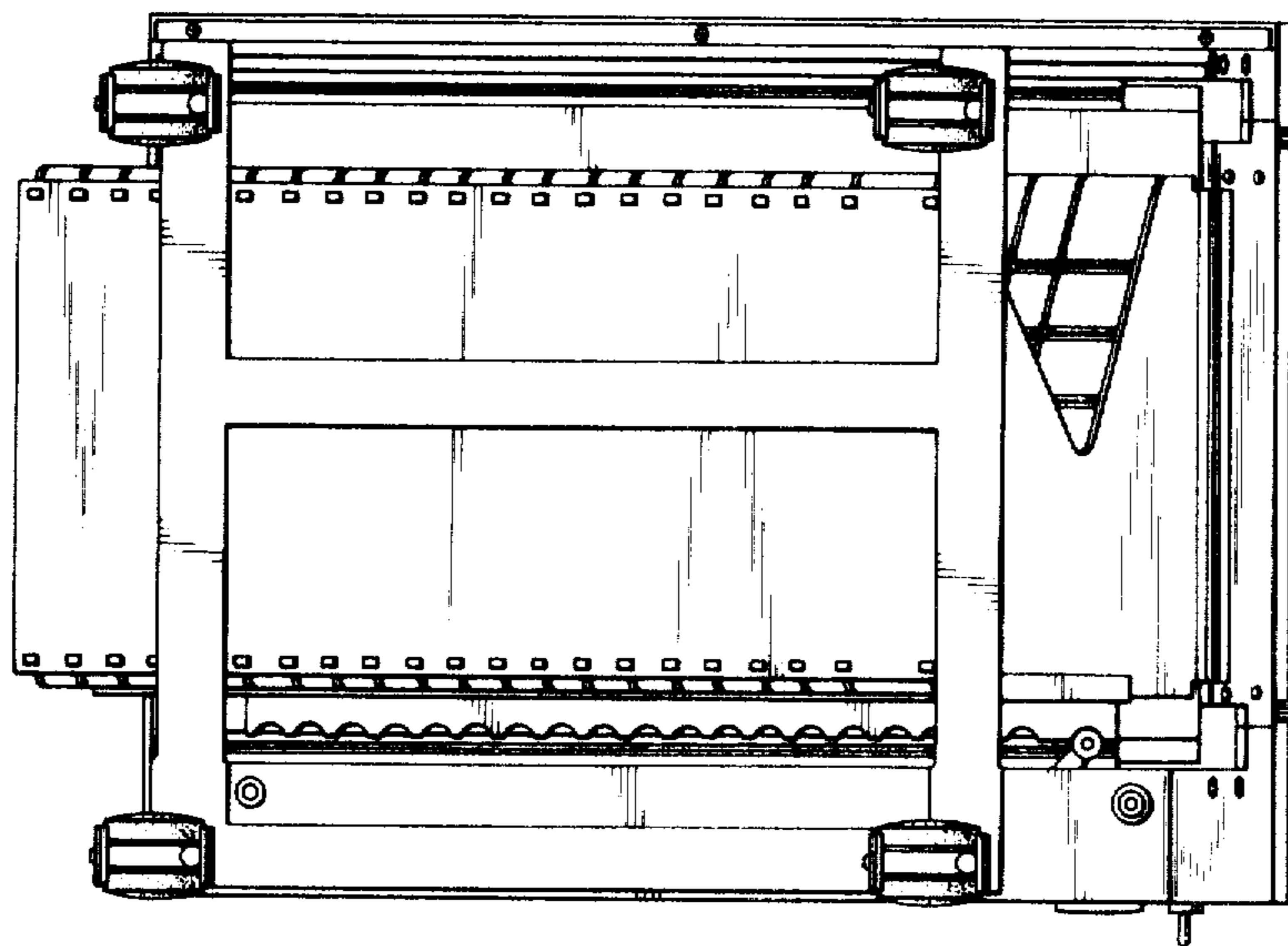


FIG. 9

