

[54] PHOTOGRAPHIC CAMERA OR SIMILAR ARTICLE

D. 228,680 10/1973 Conner D16/4
3,440,941 4/1969 Linder 354/83 X
3,958,257 5/1976 Johnson 354/83

[75] Inventors: Enrique Alie, Brooklyn, N.Y.;
Donald R. Bishop, Westwood, Mass.;
James M. Ryan, New York, N.Y.

OTHER PUBLICATIONS

Bolex Reporter, 4/7/60, p. front cover, M.P. Camera at center.

[73] Assignee: Polaroid Corporation, Cambridge, Mass.

Primary Examiner—Nelson C. Holtje
Attorney, Agent, or Firm—Francis J. Caufield

[**] Term: 14 Years

[57] CLAIM

[21] Appl. No.: 199,853

The ornamental design for a photographic camera or similar article, as shown.

[22] Filed: Oct. 23, 1980

[51] Int. Cl. D16—01

DESCRIPTION

[52] U.S. Cl. D16/1

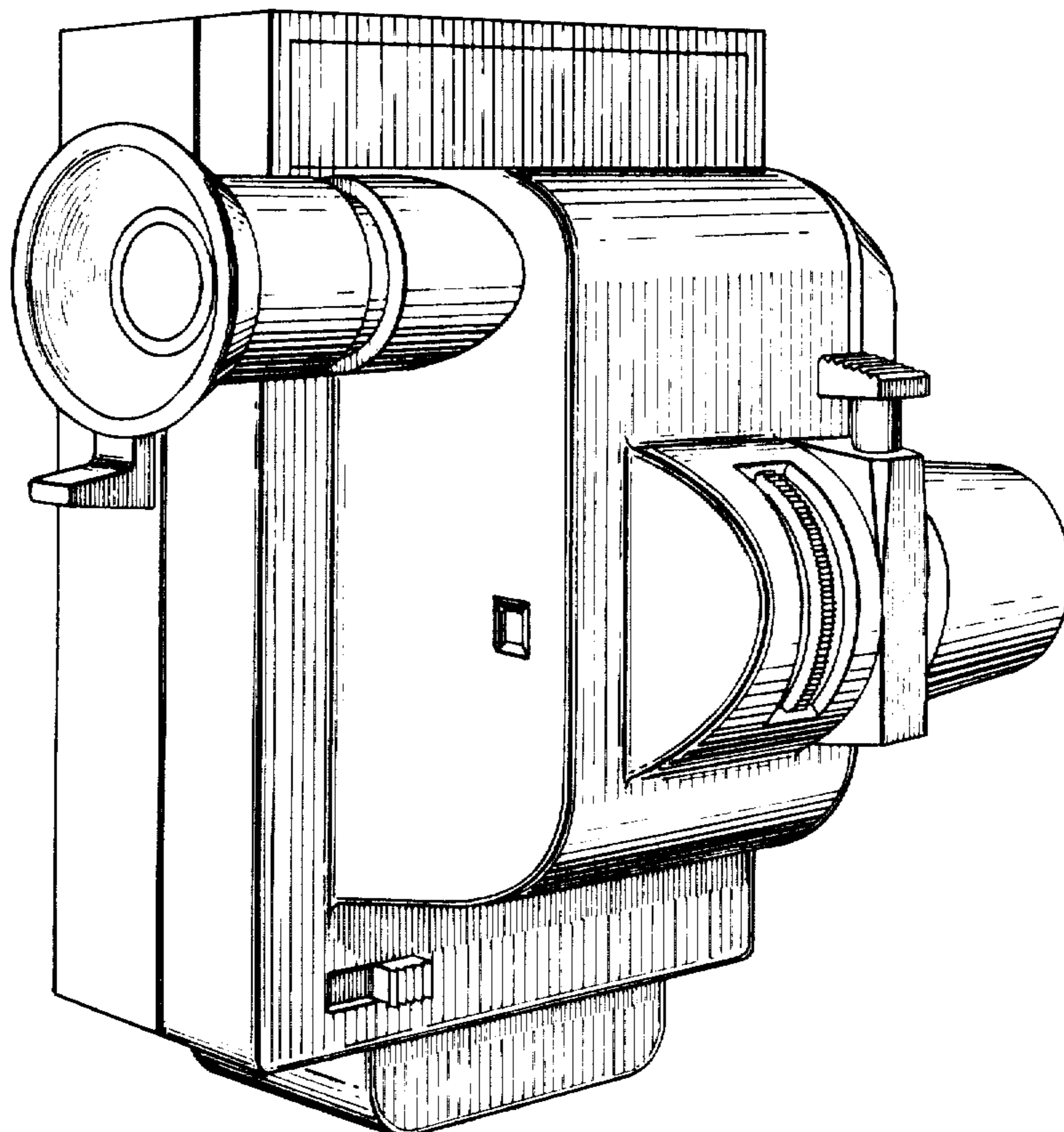
FIG. 1 is a left side elevational view of a photographic camera or similar article showing our new design;
FIG. 2 is a left rear perspective view thereof;
FIG. 3 is a front elevational view thereof;
FIG. 4 is a top plan view thereof;
FIG. 5 is a bottom plan view thereof;
FIG. 6 is a rear elevational view thereof;
FIG. 7 is a right side elevational view thereof.

[58] Field of Search D16/1-4;
354/83, 84; 358/98; 352/34, 243, 242

[56] References Cited

U.S. PATENT DOCUMENTS

D. 190,690 6/1961 Smith D16/3
D. 196,009 8/1963 Hodgman D16/3



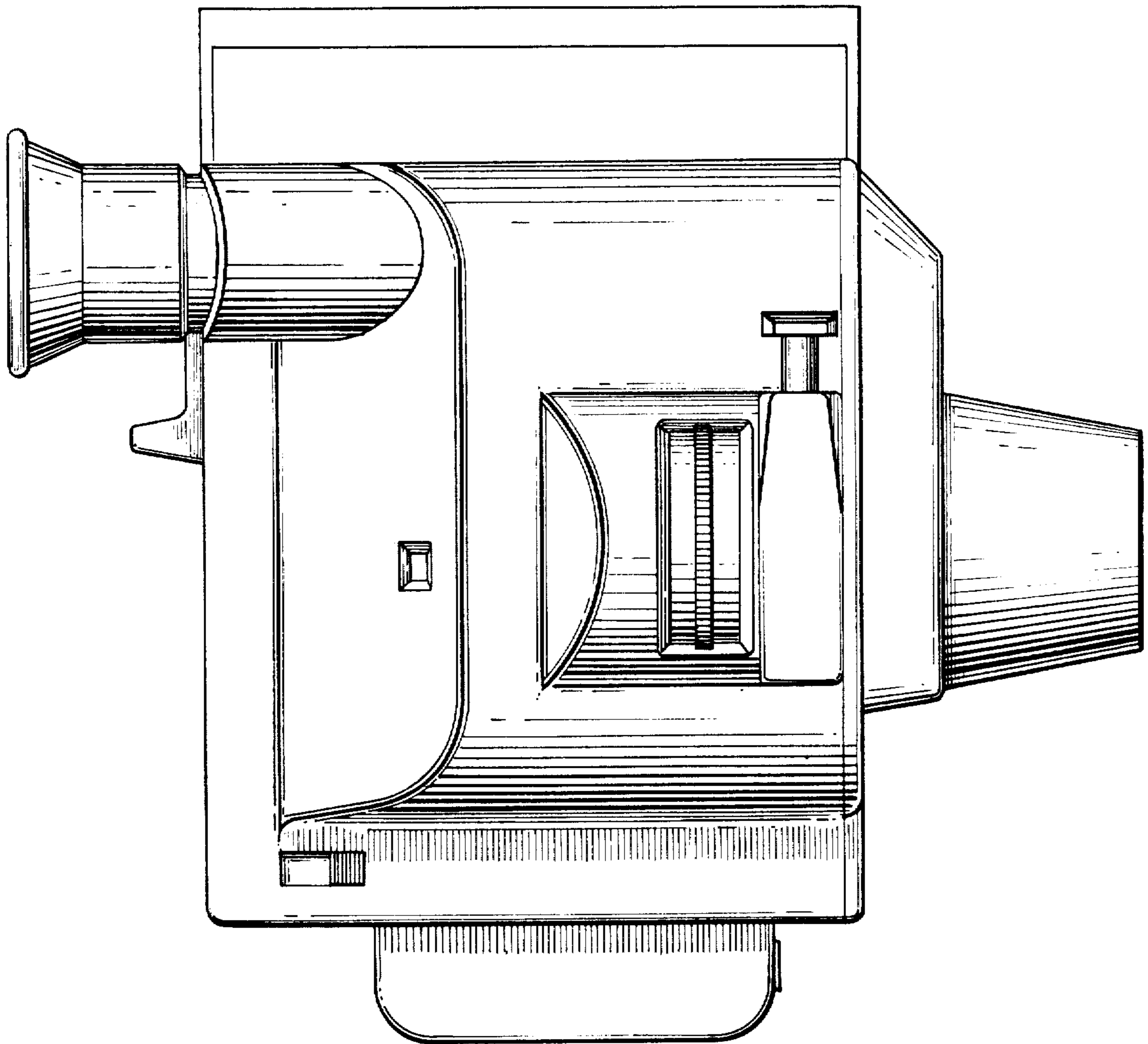


FIG. 1

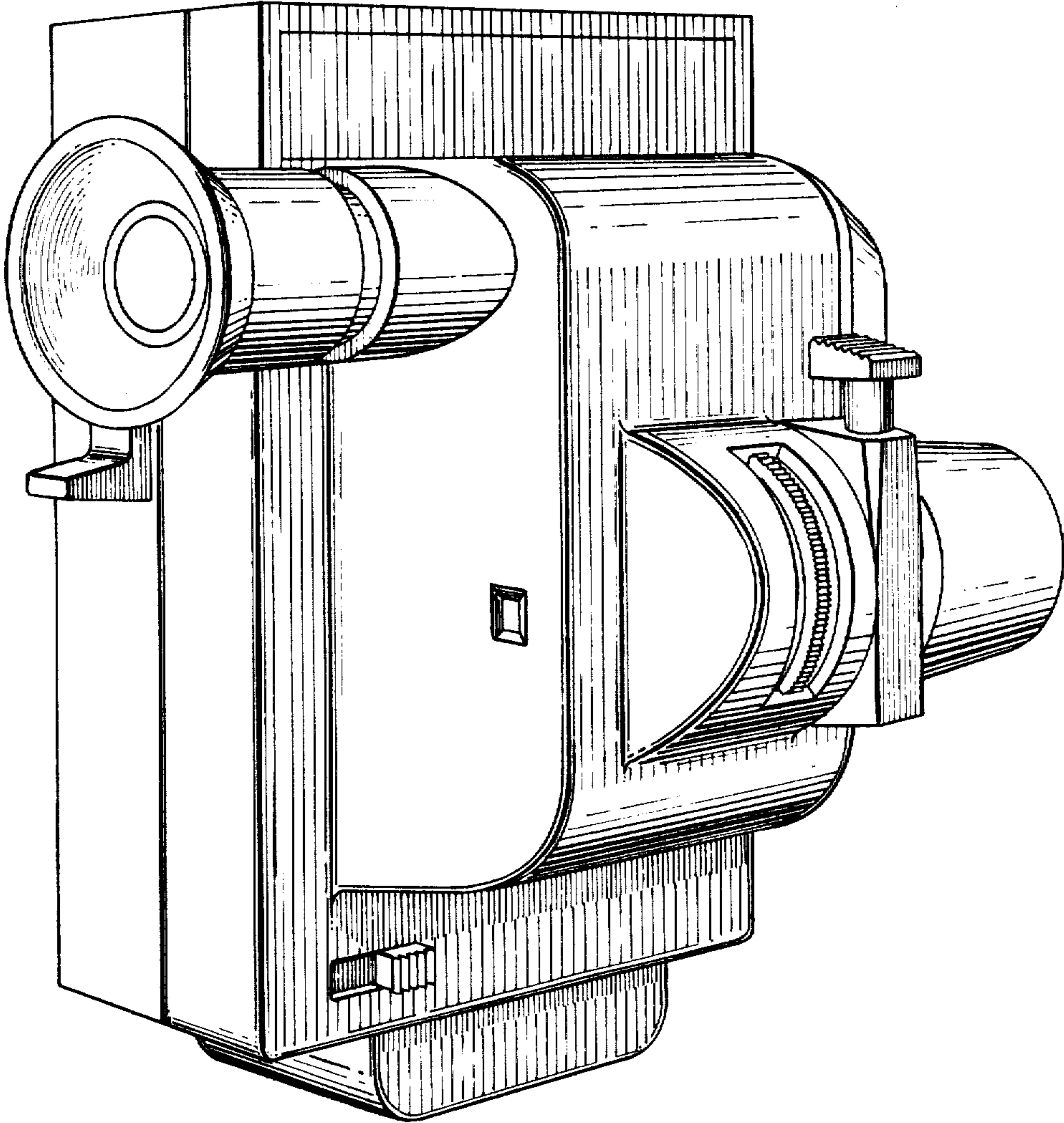


FIG. 2

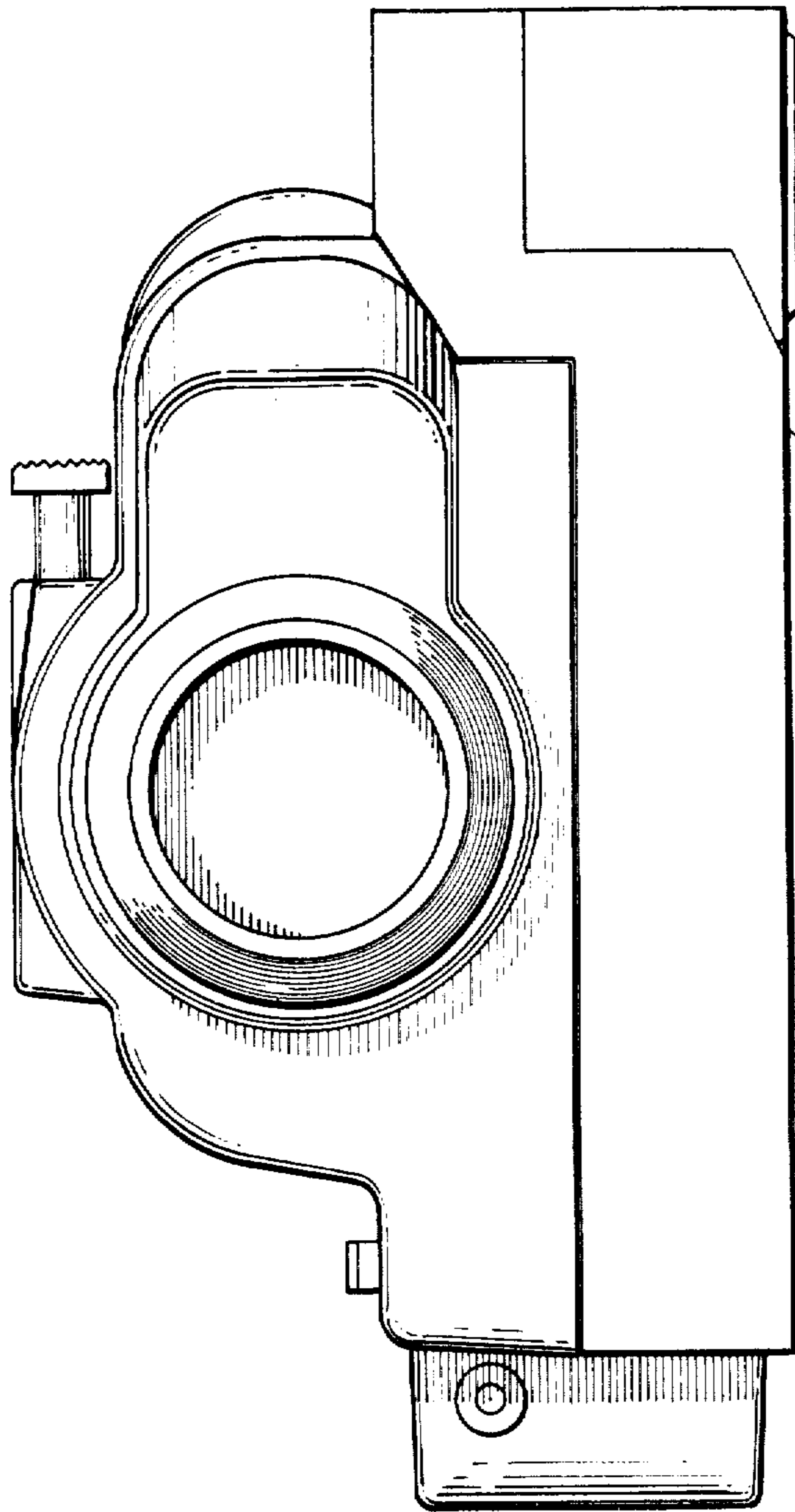


FIG. 3

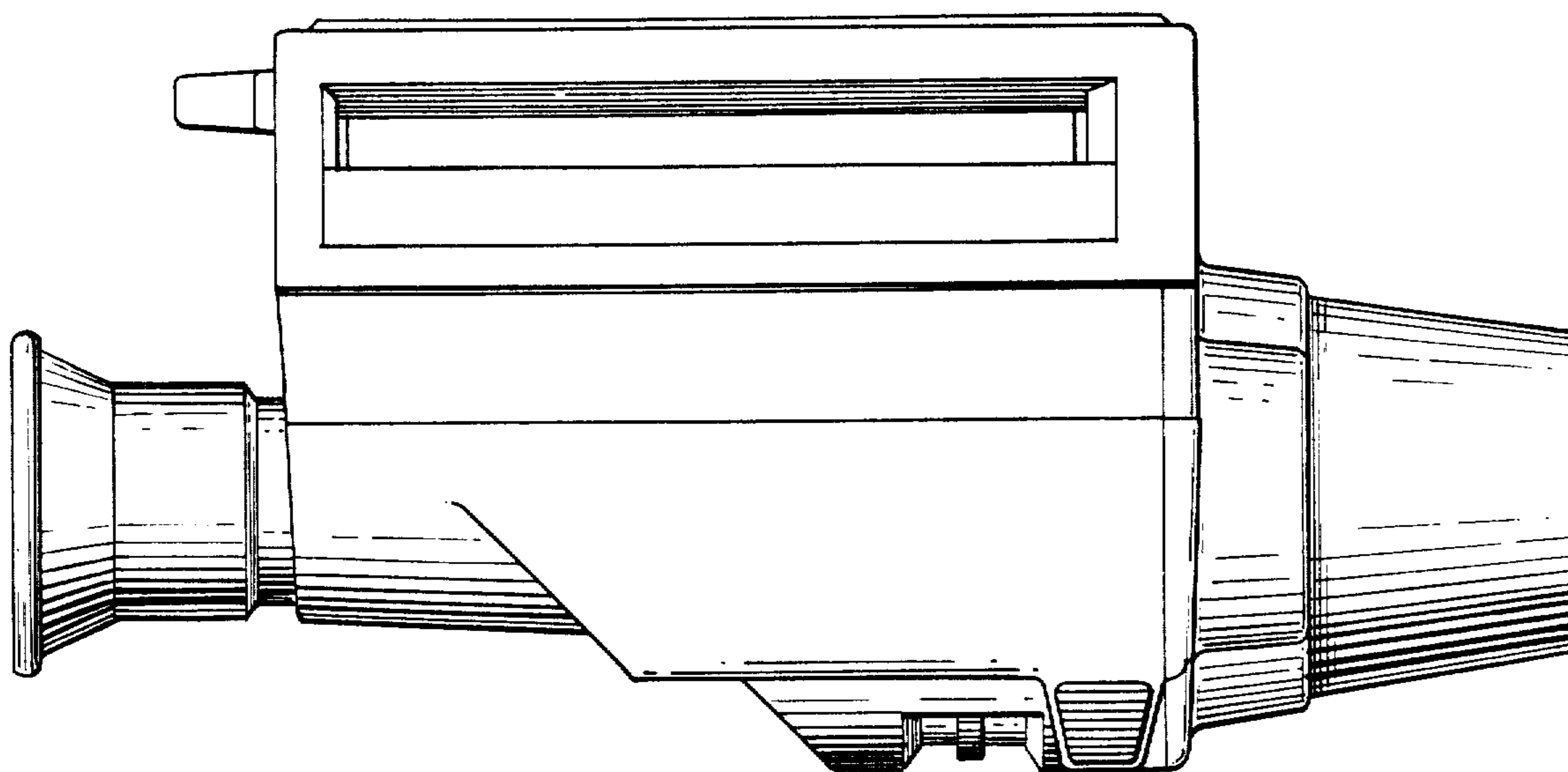


FIG. 4

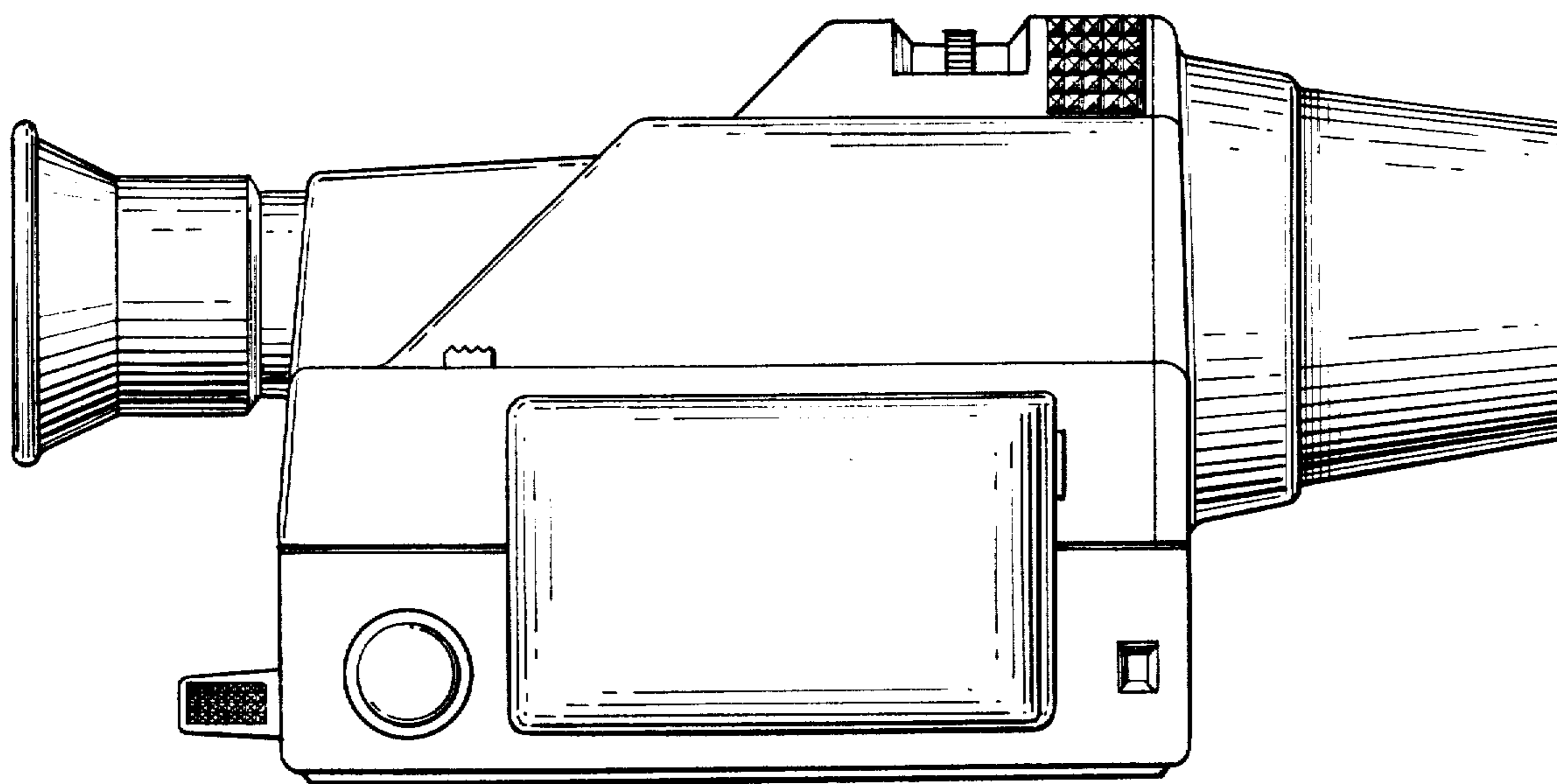


FIG. 5

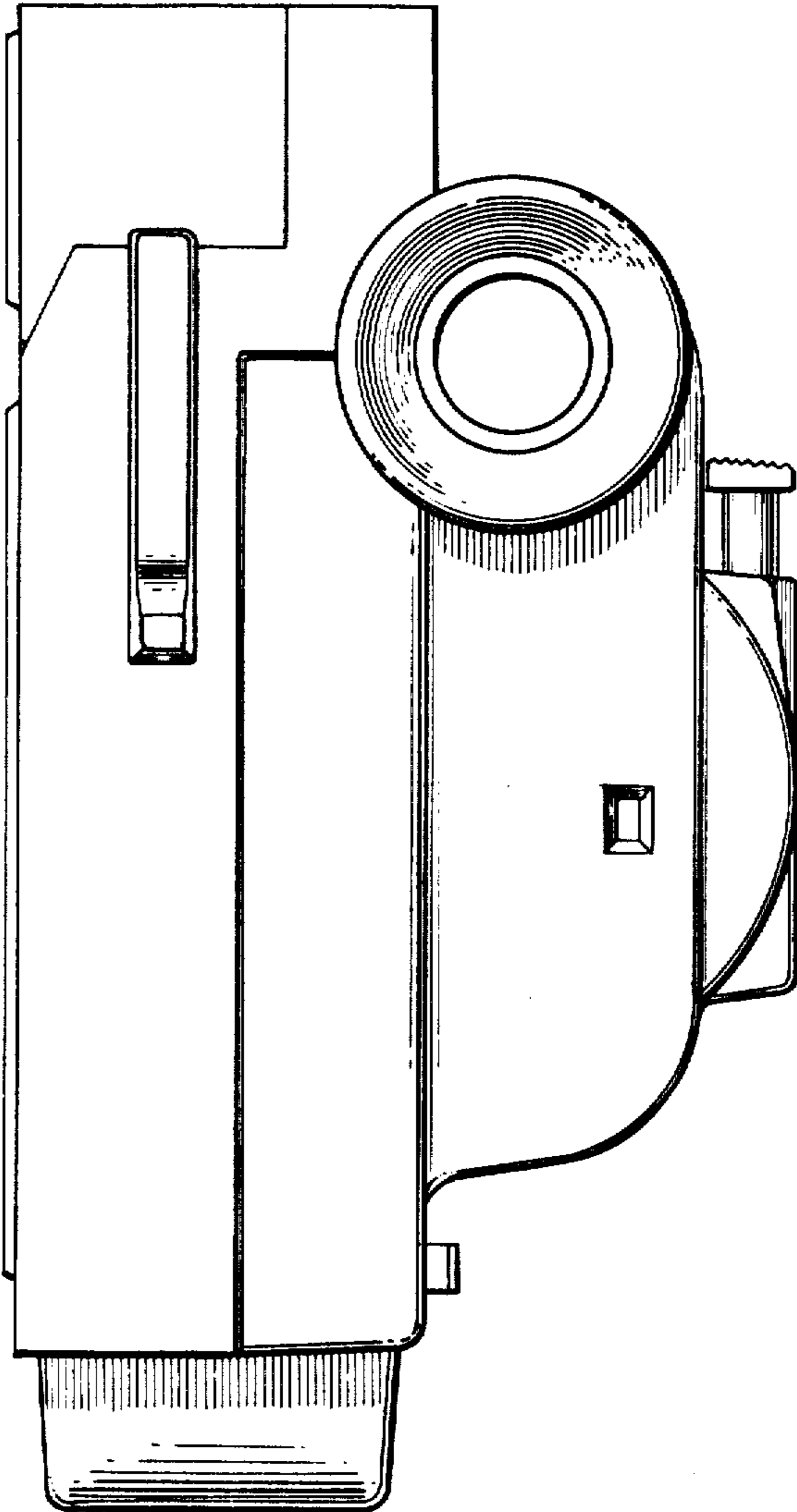


FIG. 6

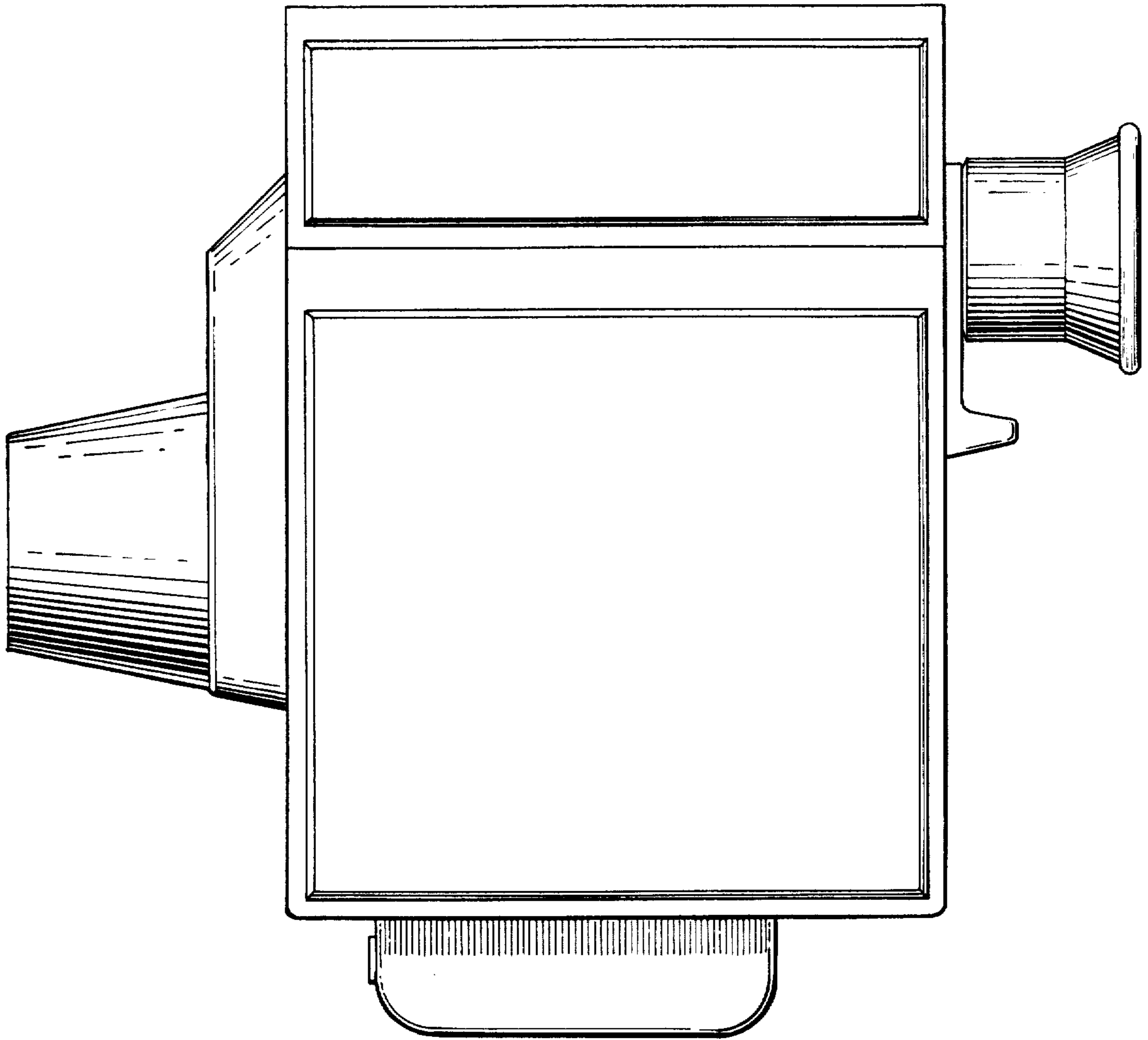


FIG. 7