

[54] PHONOGRAPHIC TURNTABLE

[75] Inventor: Kenneth R. Wilkes, East Aurora, N.Y.

[73] Assignee: The Quaker Oats Company, Chicago, Ill.

[**] Term: 14 Years

[21] Appl. No.: 108,398

[22] Filed: Dec. 31, 1979

[51] Int. Cl. D14-01
[52] U.S. Cl. D14/17; D14/16
[58] Field of Search D14/1, 14, 16, 17, 20, D14/27, 99

D. 200,804 4/1965 Brown D14/17
D. 201,256 6/1965 Wolf D14/16
D. 229,574 12/1973 Martin D14/17 X

OTHER PUBLICATIONS

Sears '78 Holiday Season Cat., "1978 'N'", ©'78, p. 448, item #1.

Primary Examiner—Jane E. Corrigan
Attorney, Agent, or Firm—Cumpston & Shaw

CLAIM

[57] The ornamental design for a phonographic turntable, substantially as shown and described.

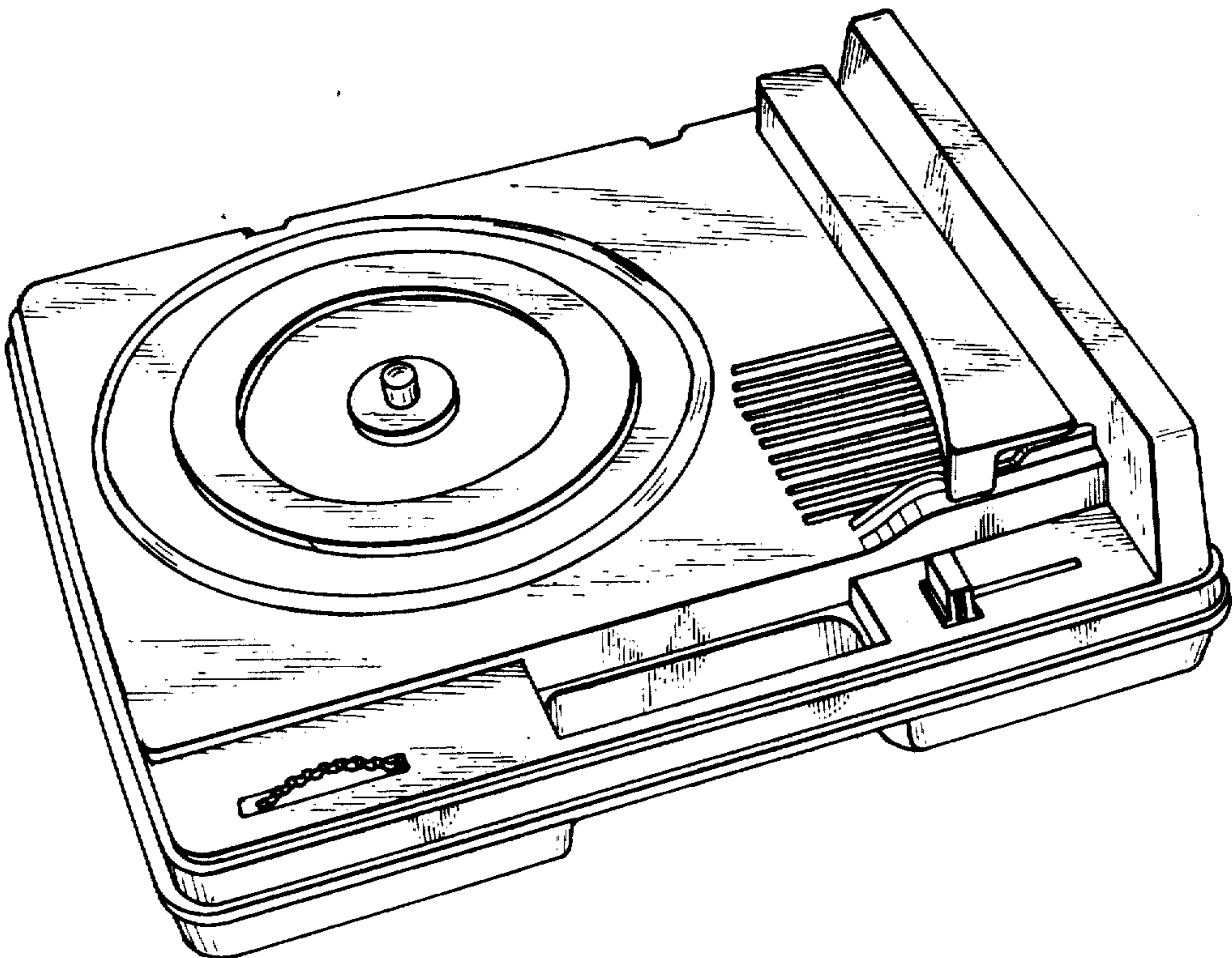
DESCRIPTION

FIG. 1 is a front perspective view of a phonographic turntable showing my new design; FIG. 2 is a left side elevational view thereof; FIG. 3 is a right side elevational view thereof; FIG. 4 is a rear elevational view thereof; and FIG. 5 is a bottom plan view thereof.

[56] References Cited

U.S. PATENT DOCUMENTS

D. 160,878 11/1950 Nemeth D14/17



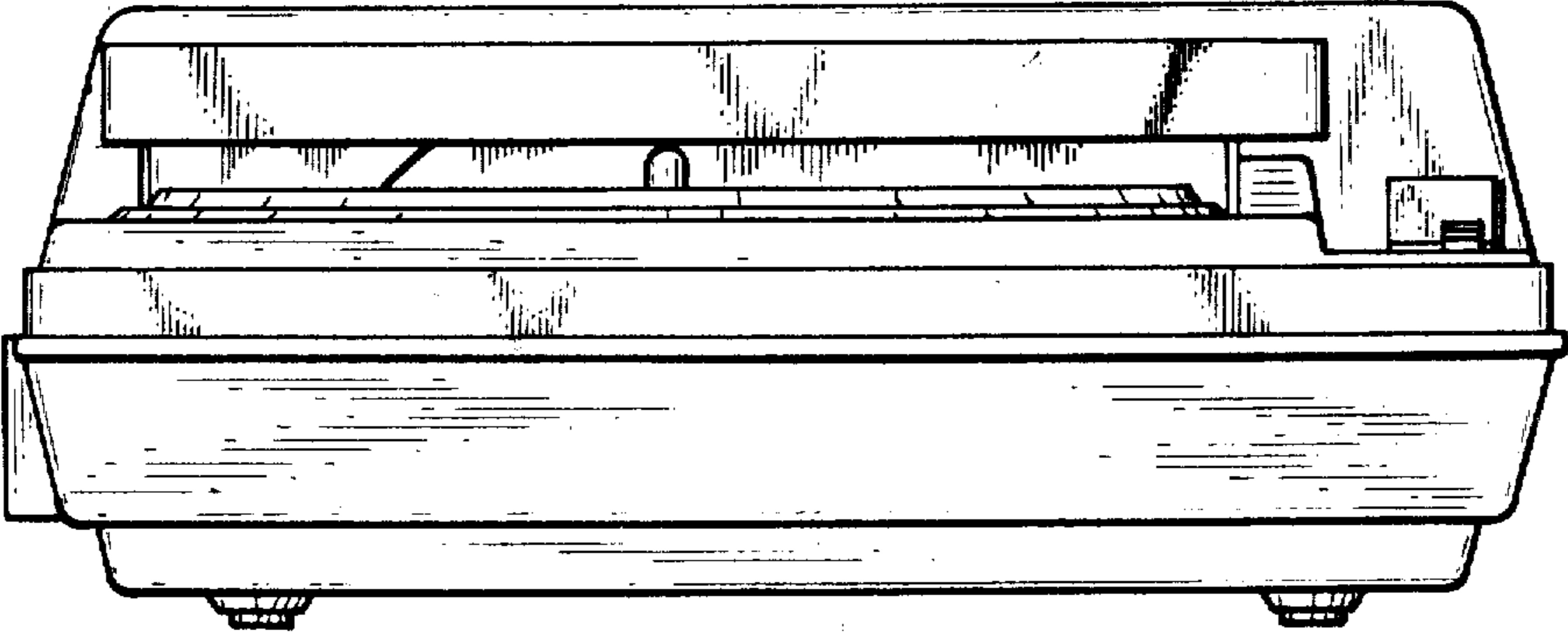
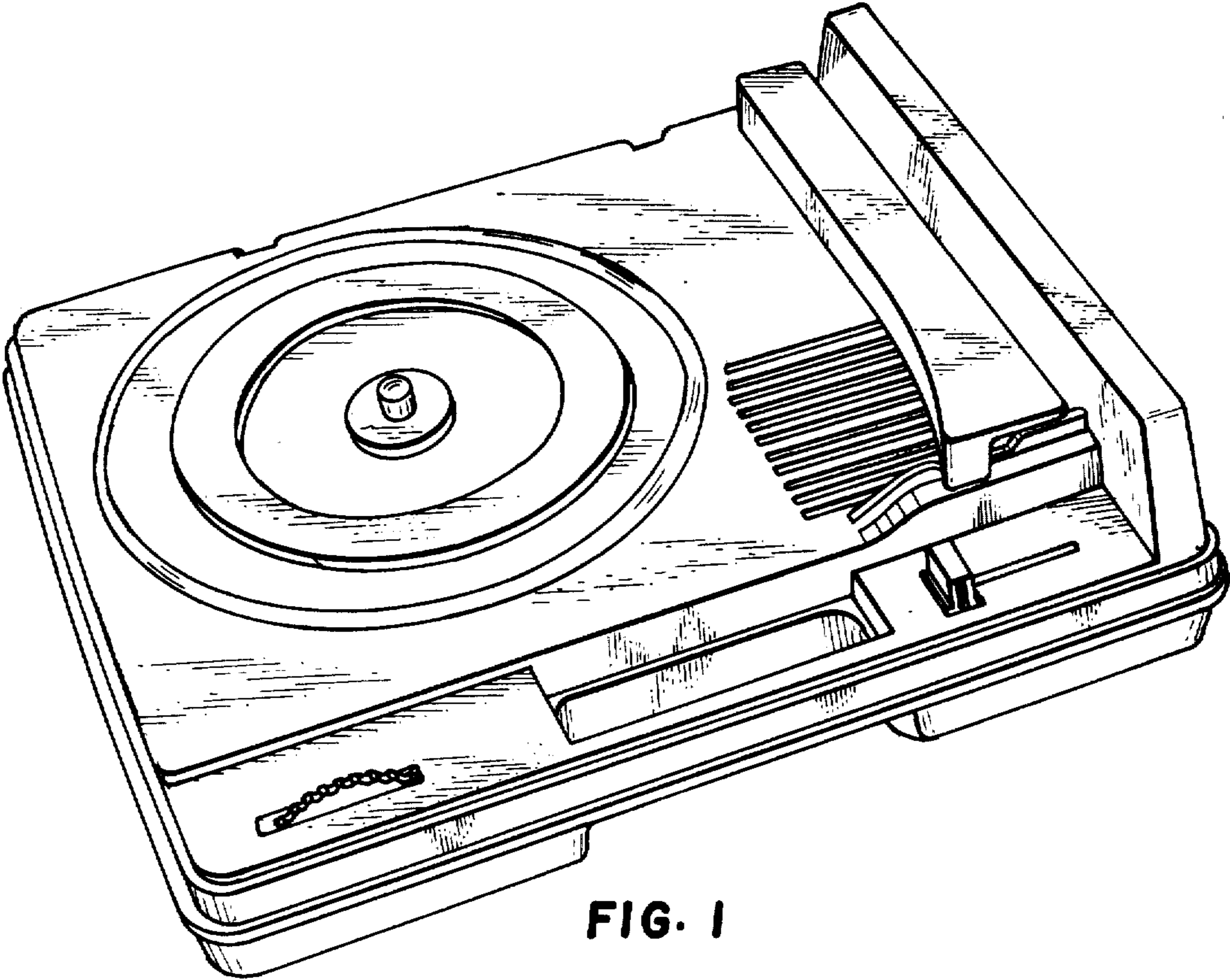


FIG. 2

FIG. 3

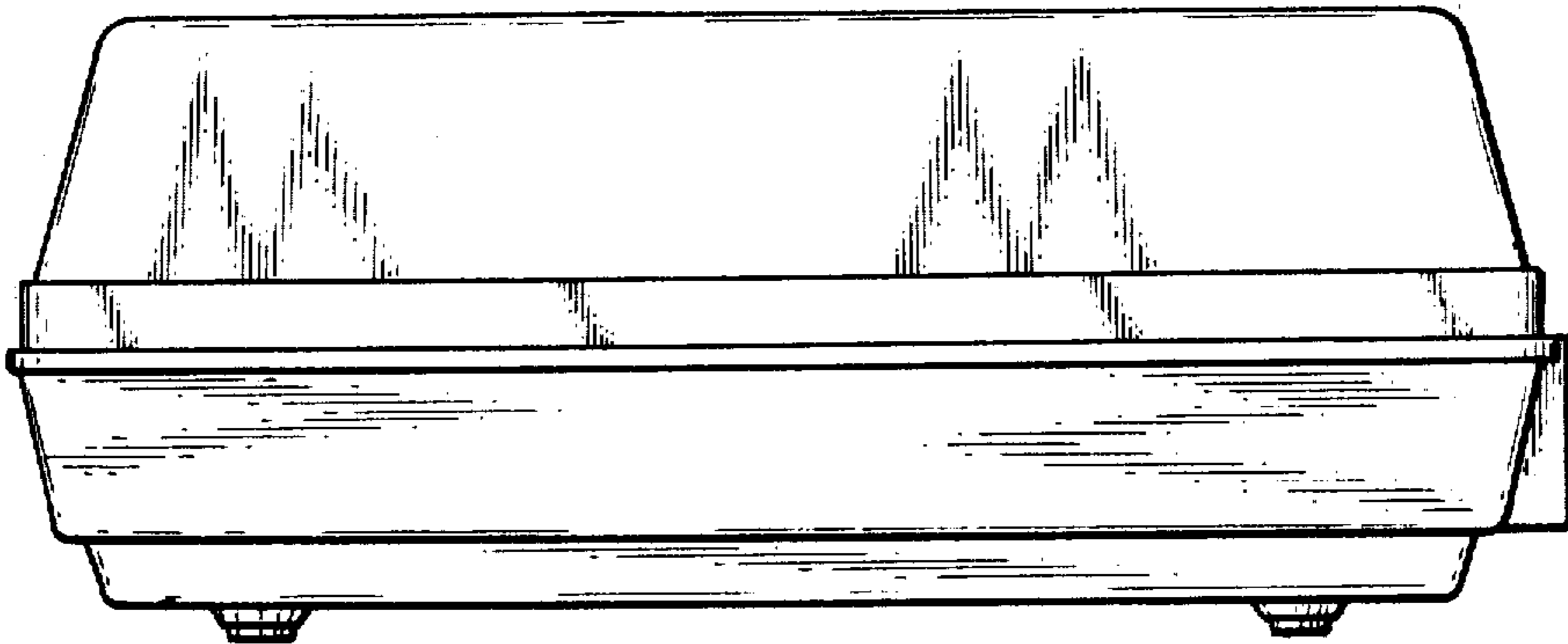


FIG. 4

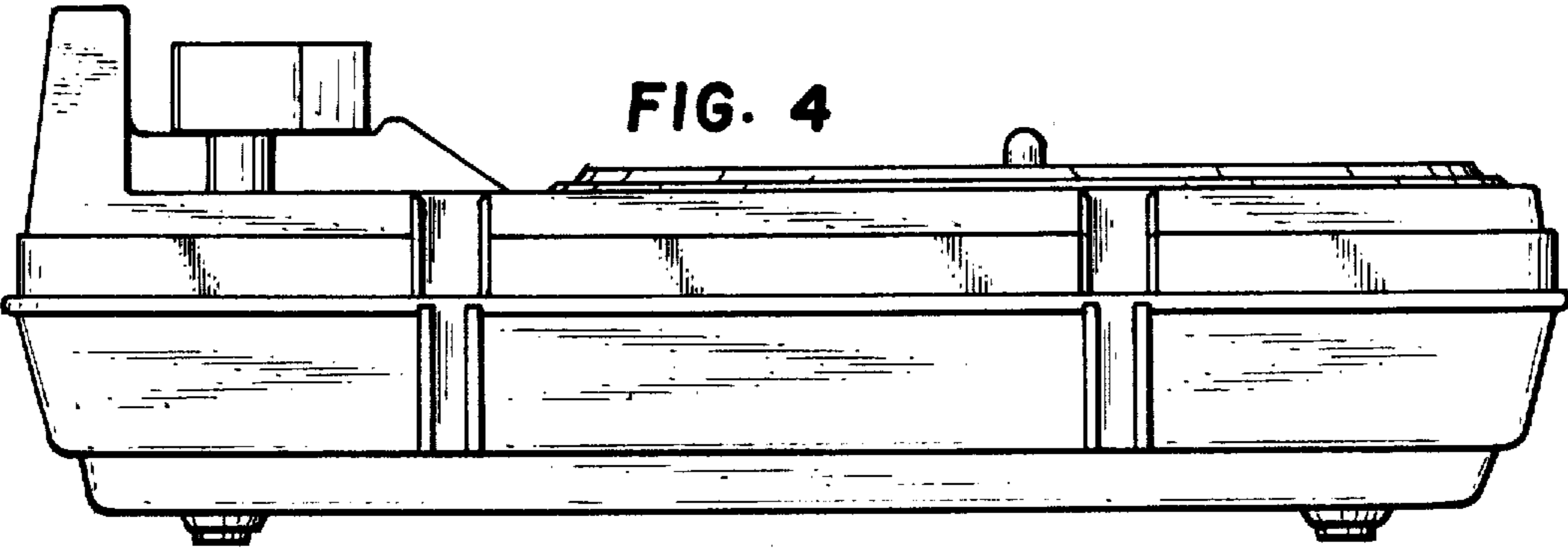


FIG. 5

