

[54] RATCHET BUCKLE

[75] Inventor: Ernest Prete, Jr., Woodland Hills, Calif.

[73] Assignee: Ancra Corporation, El Segundo, Calif.

[\*\*] Term: 14 Years

[21] Appl. No.: 174,368

[22] Filed: Aug. 1, 1980

[51] Int. Cl. .... D8-02

[52] U.S. Cl. .... D8/383; D8/356; D8/382

[58] Field of Search ..... D8/356, 382, 383; 24/68 E, 68 CD, 68 D, 69 ST, 132 R, 133, 134 L, 248 B, 265 CD

[56] References Cited

U.S. PATENT DOCUMENTS

D. 226,349	2/1973	Brophy	.....	D8/356
982,586	1/1911	Gellert	.....	D8/356
3,686,715	8/1972	Brodnicki	.....	24/265 CD
3,866,272	2/1975	Prete et al.	.....	24/68 CD
4,136,422	1/1979	Ivanov et al.	.....	24/68 E

Primary Examiner—B. J. Bullock  
Attorney, Agent, or Firm—Edward A. Sokolski

[57] CLAIM

The ornamental design for a ratchet buckle, as shown.

DESCRIPTION

FIG. 1 is a side elevational view showing my new design for a ratchet buckle;

FIG. 2 is a side elevational view thereof with the handle in a raised position;

FIG. 3 is a top plan view of FIG. 1;

FIG. 4 is a top plan view of FIG. 2;

FIG. 5 is a side elevational view of the side opposite that shown in FIG. 1;

FIG. 6 is a side elevational view of the side opposite that shown in FIG. 2;

FIG. 7 is an end elevational view taken from the left of FIG. 1;

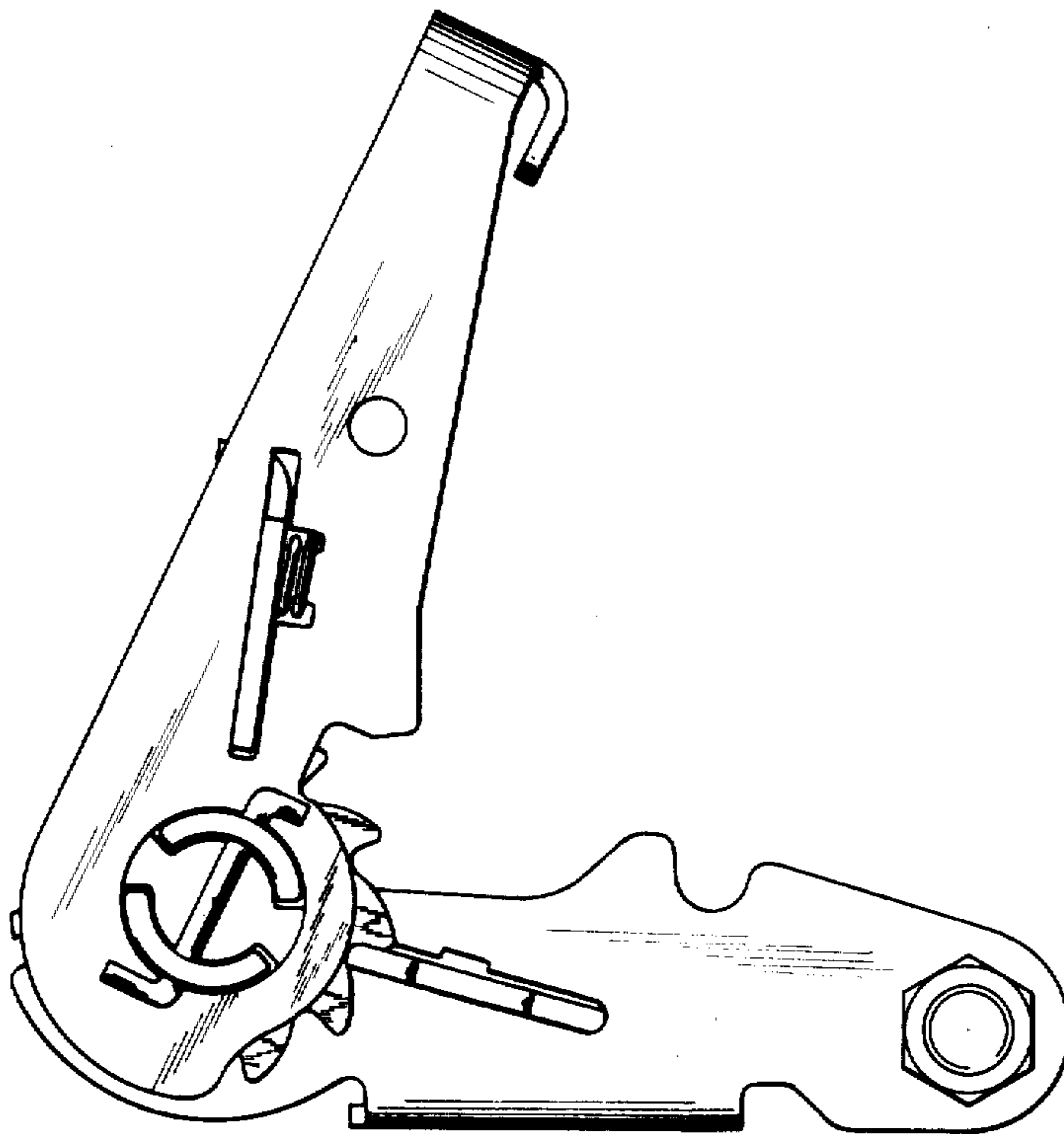
FIG. 8 is an end elevational view taken from the left of FIG. 2;

FIG. 9 is an end elevational view taken from the right of FIG. 1;

FIG. 10 is an end elevational view taken from the right of FIG. 2;

FIG. 11 is a bottom plan view of FIG. 1;

FIG. 12 is a bottom plan view of FIG. 2.



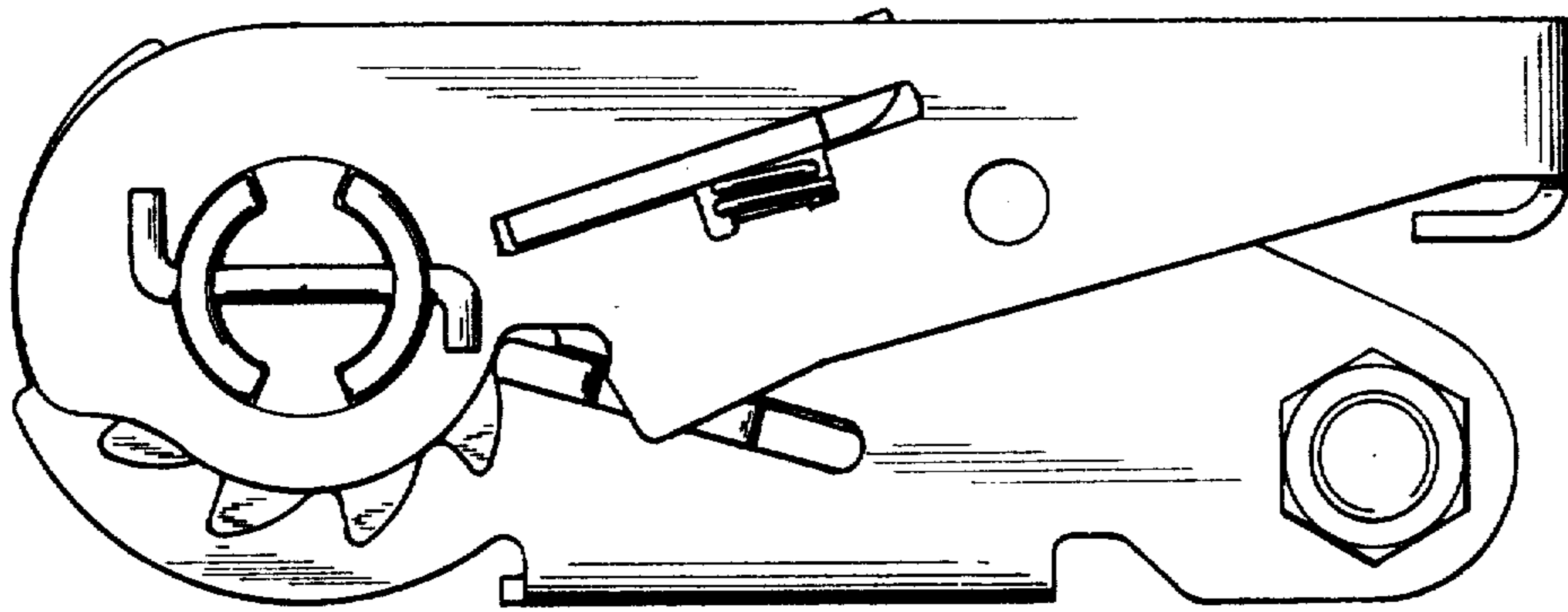


FIG. 1

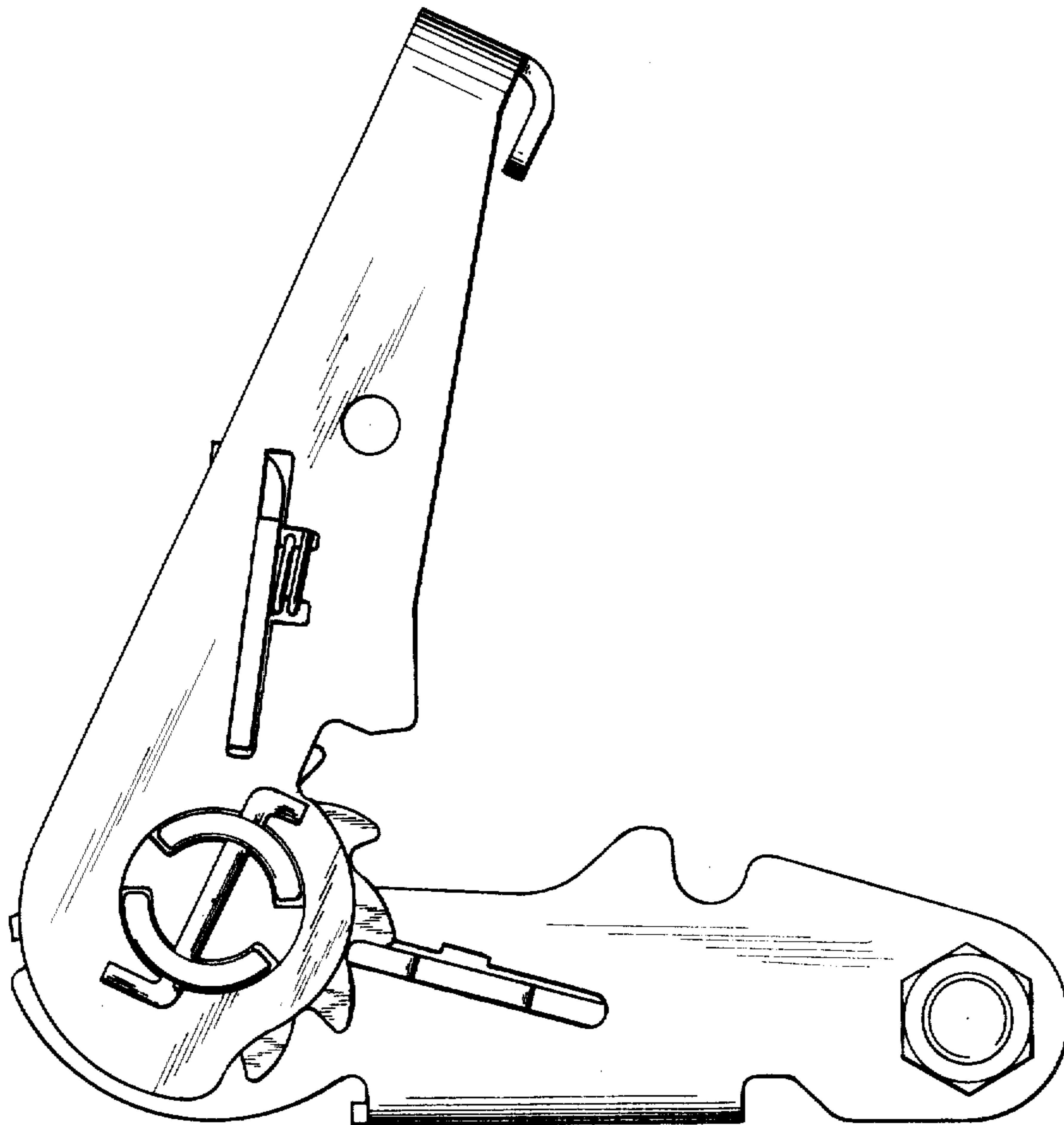


FIG. 2

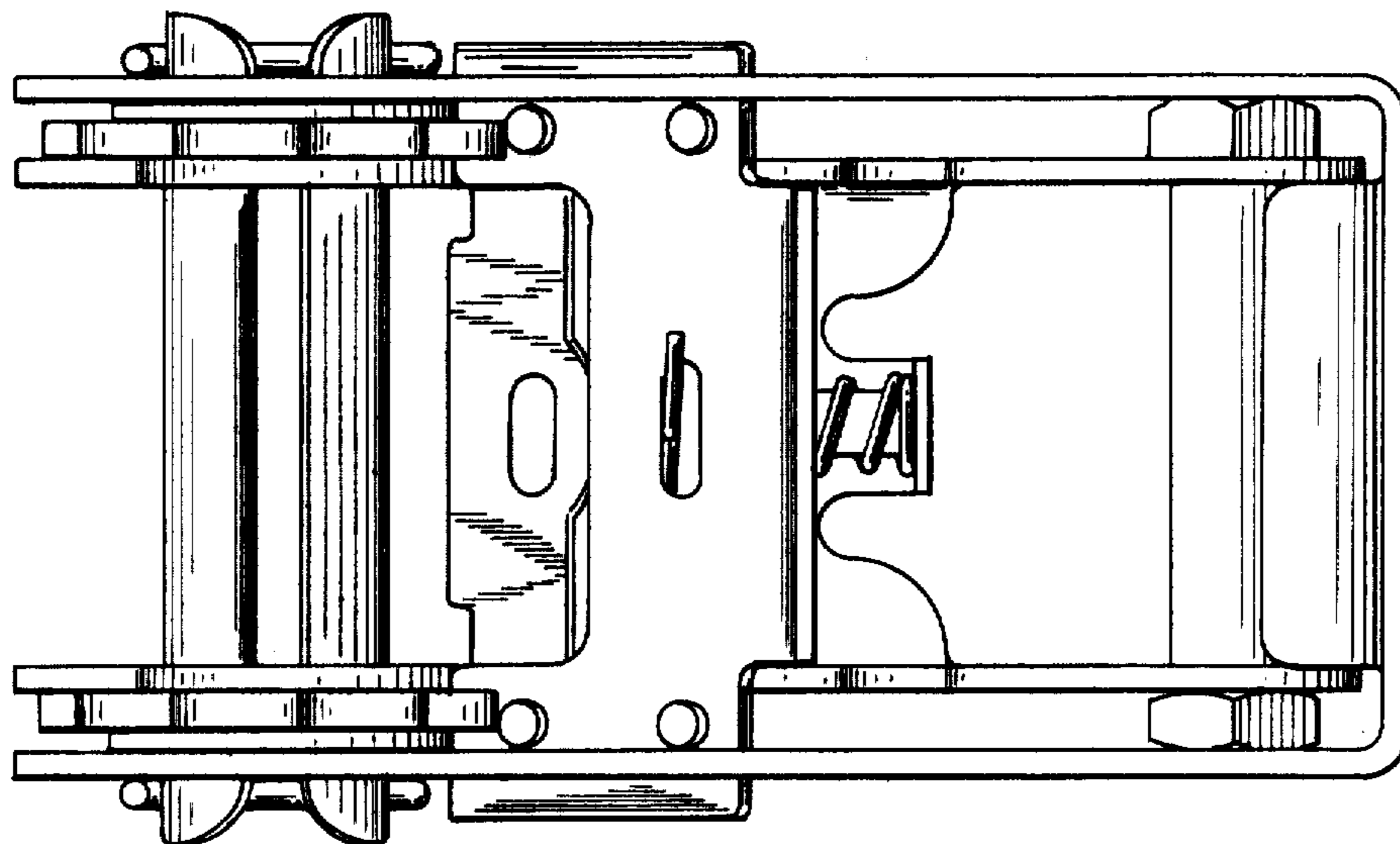


FIG. 3

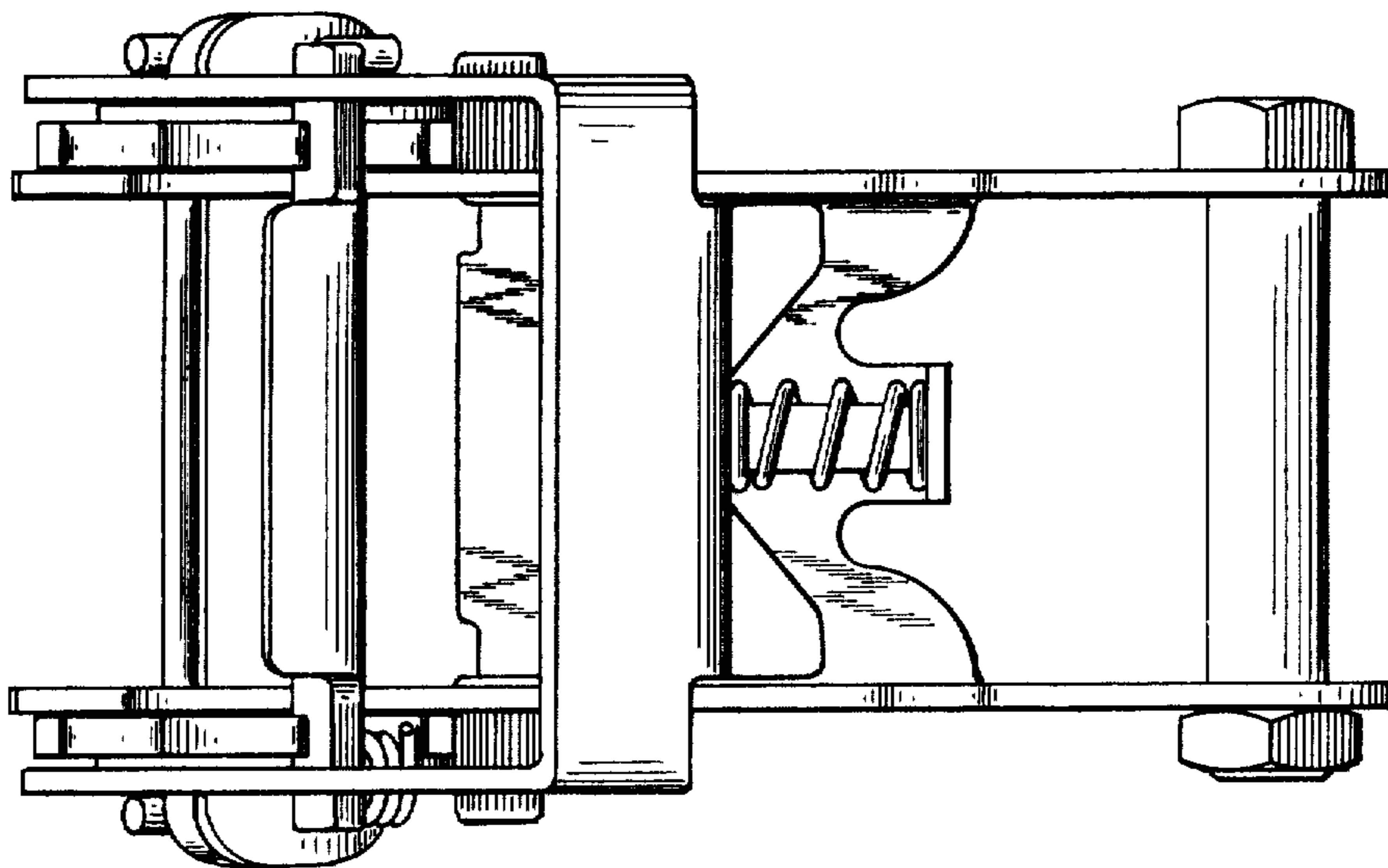


FIG. 4

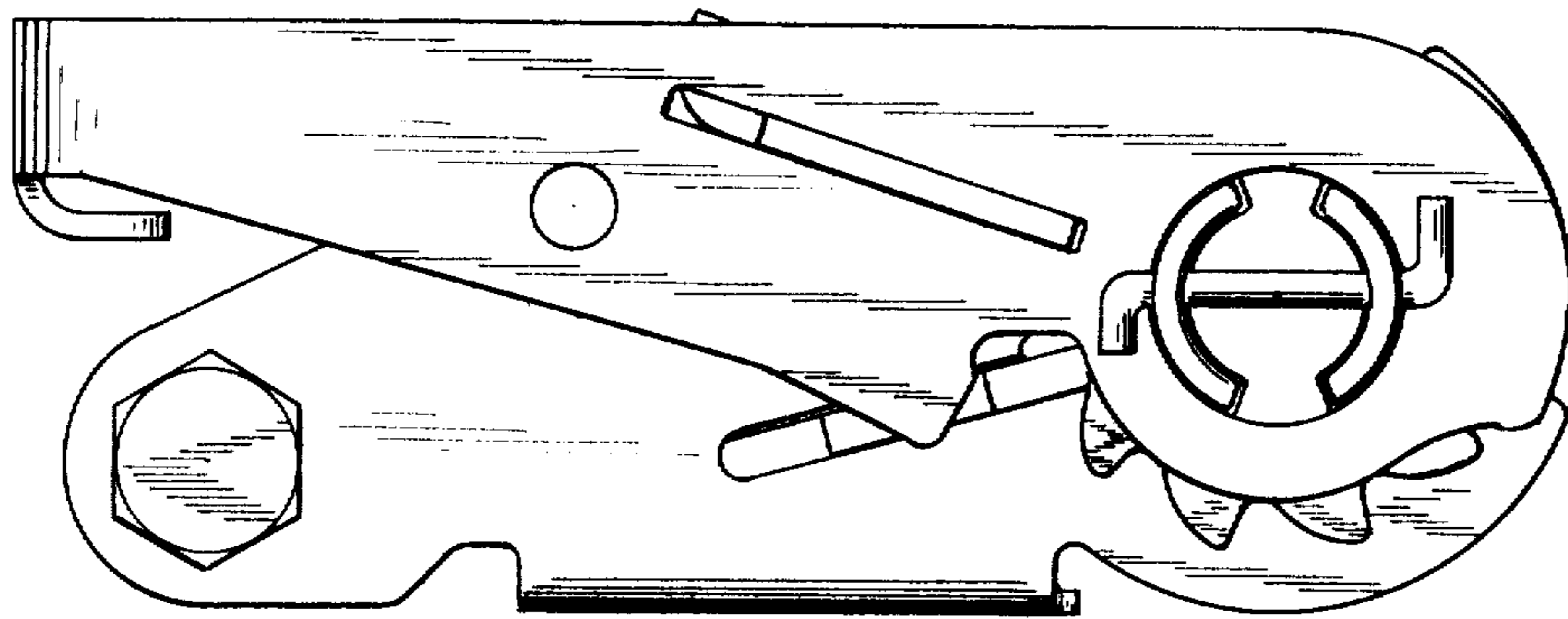


FIG. 5

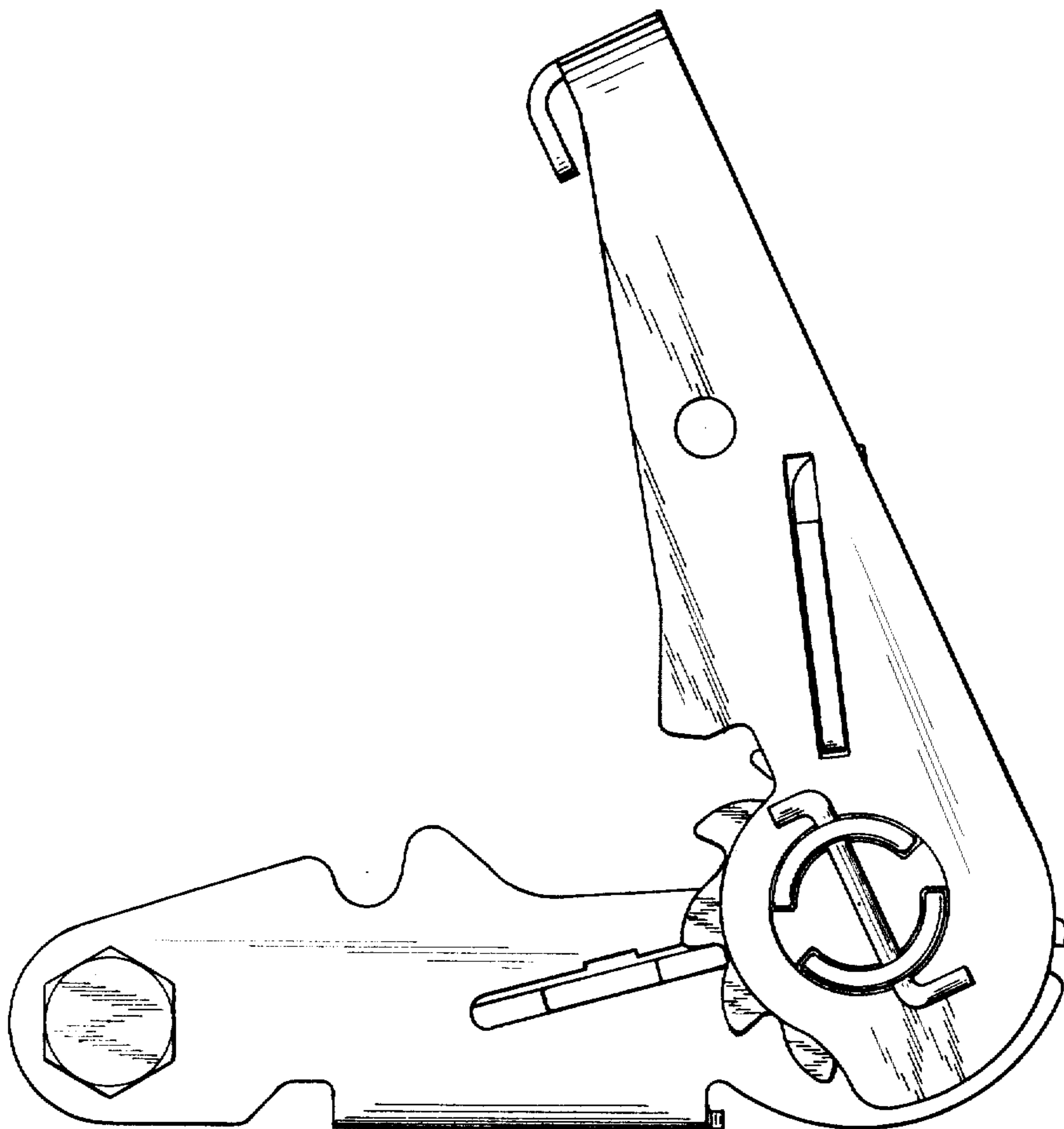


FIG. 6

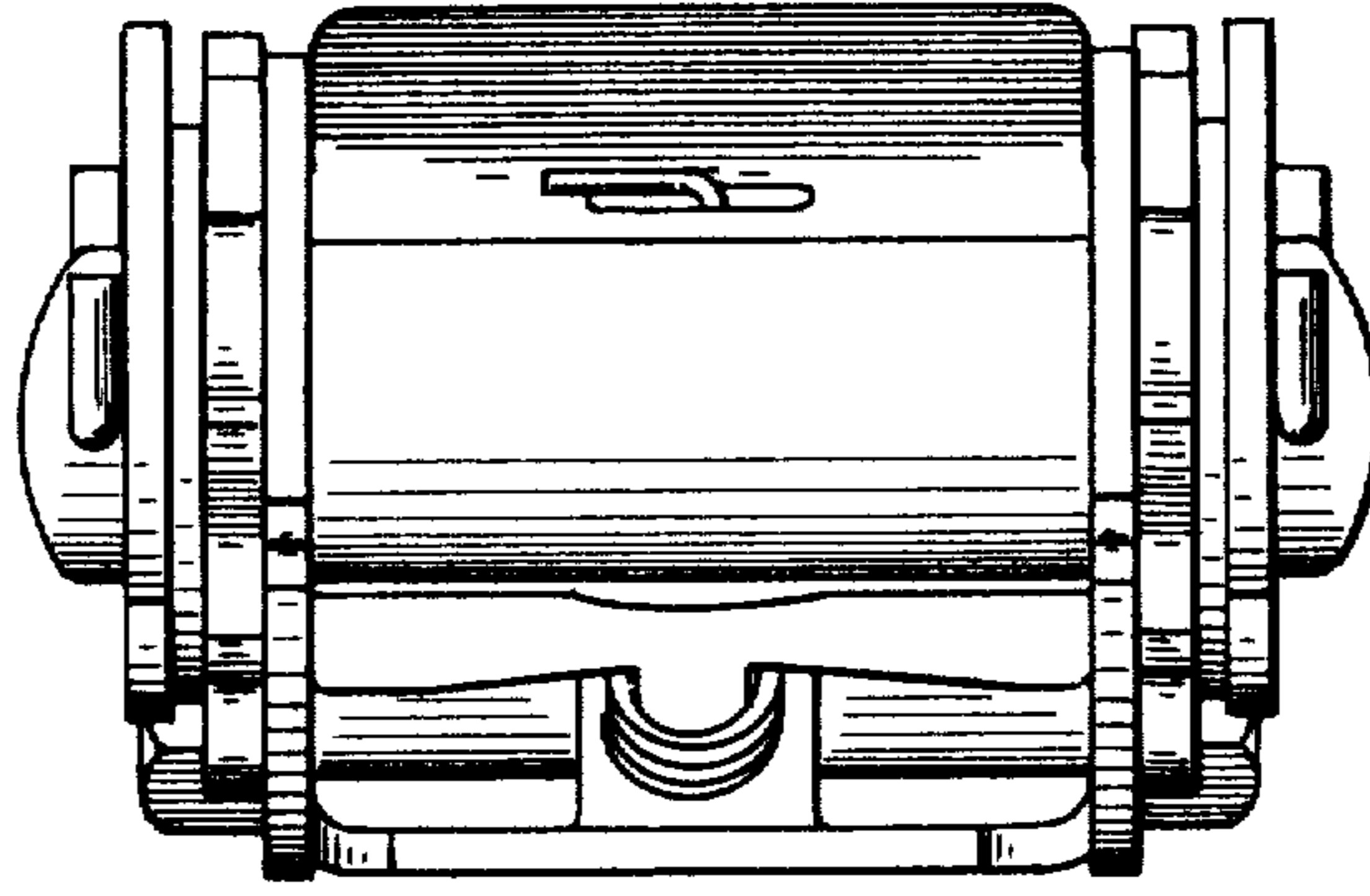


FIG. 7

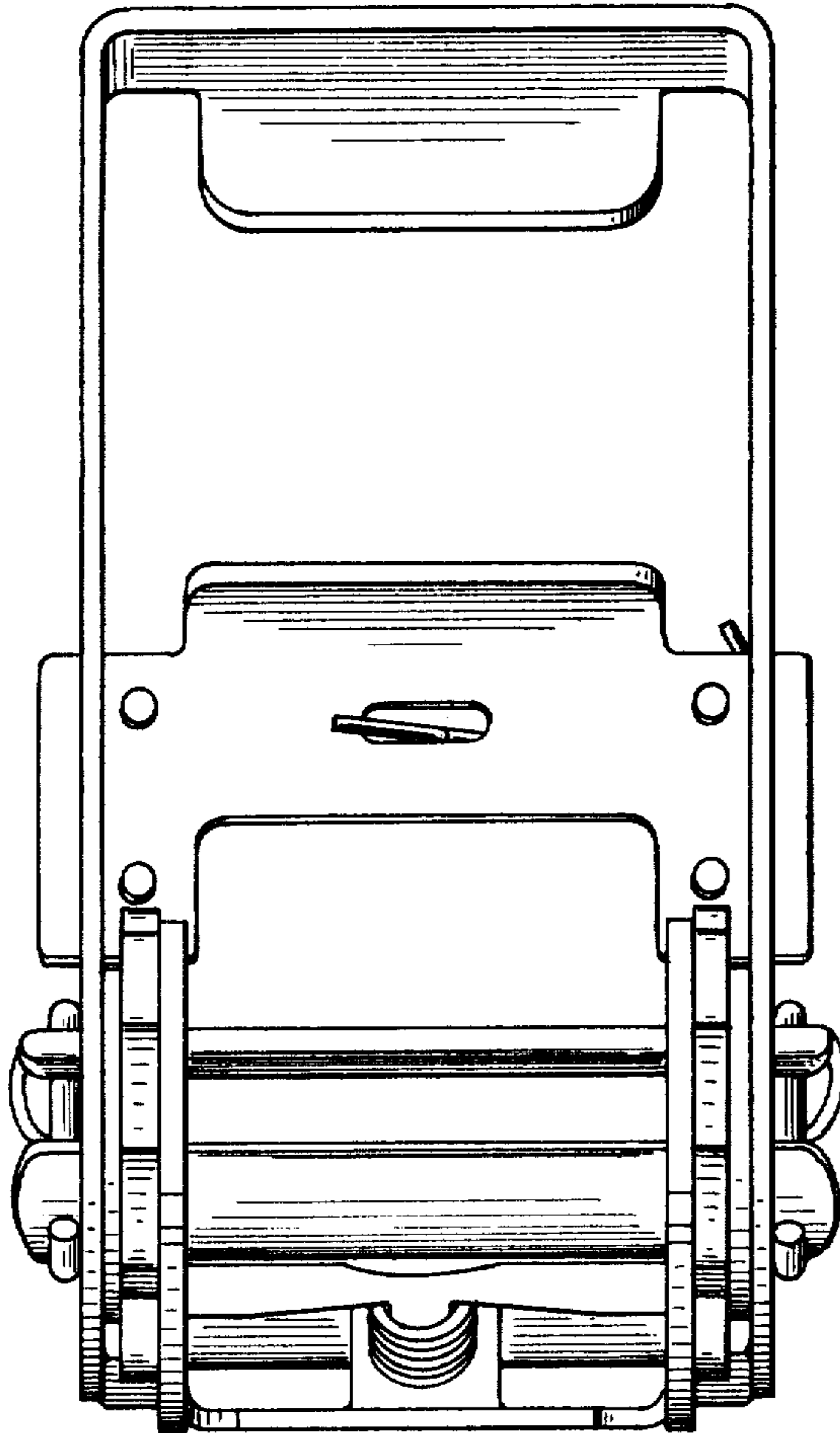


FIG. 8

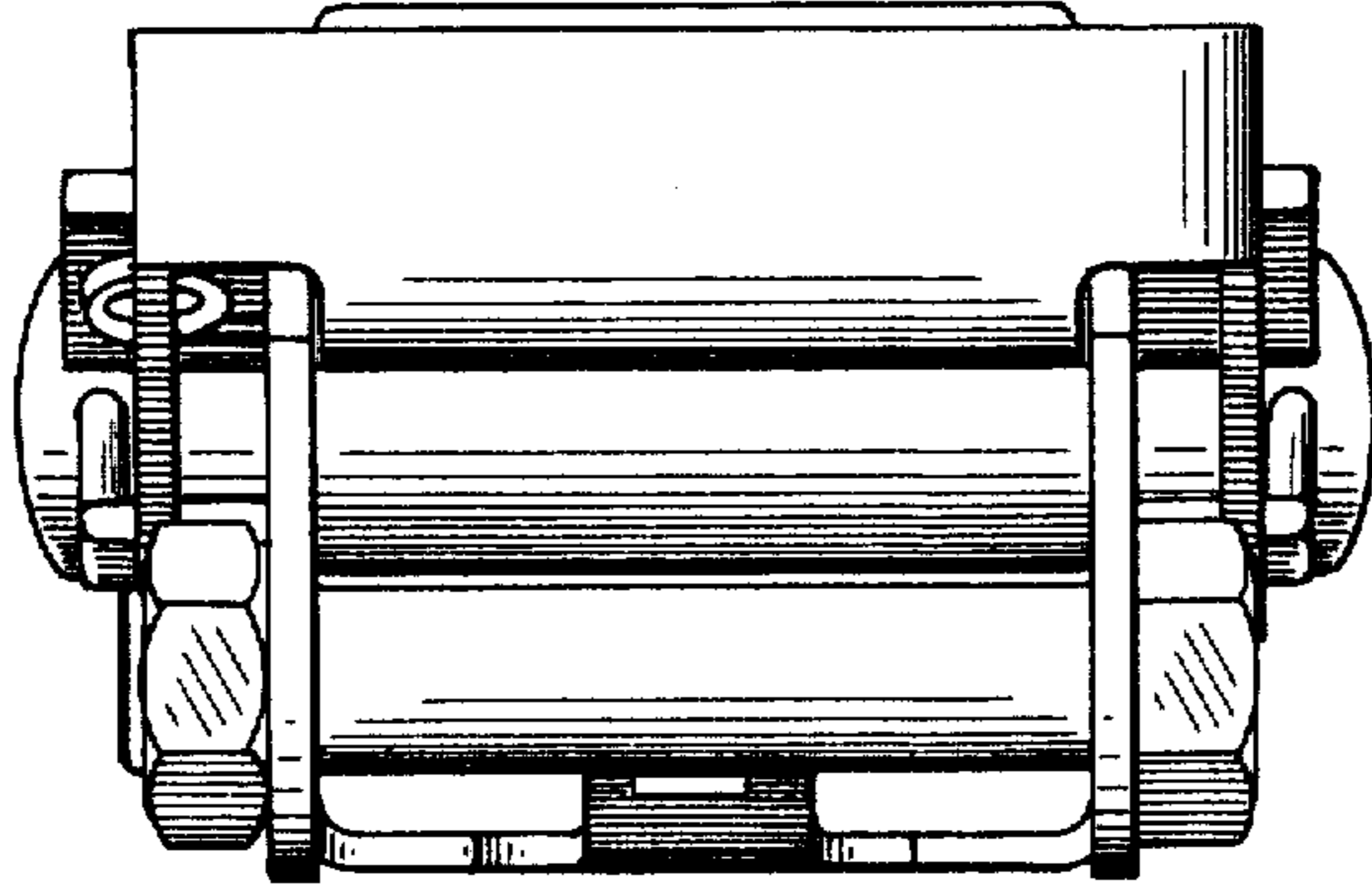


FIG. 9

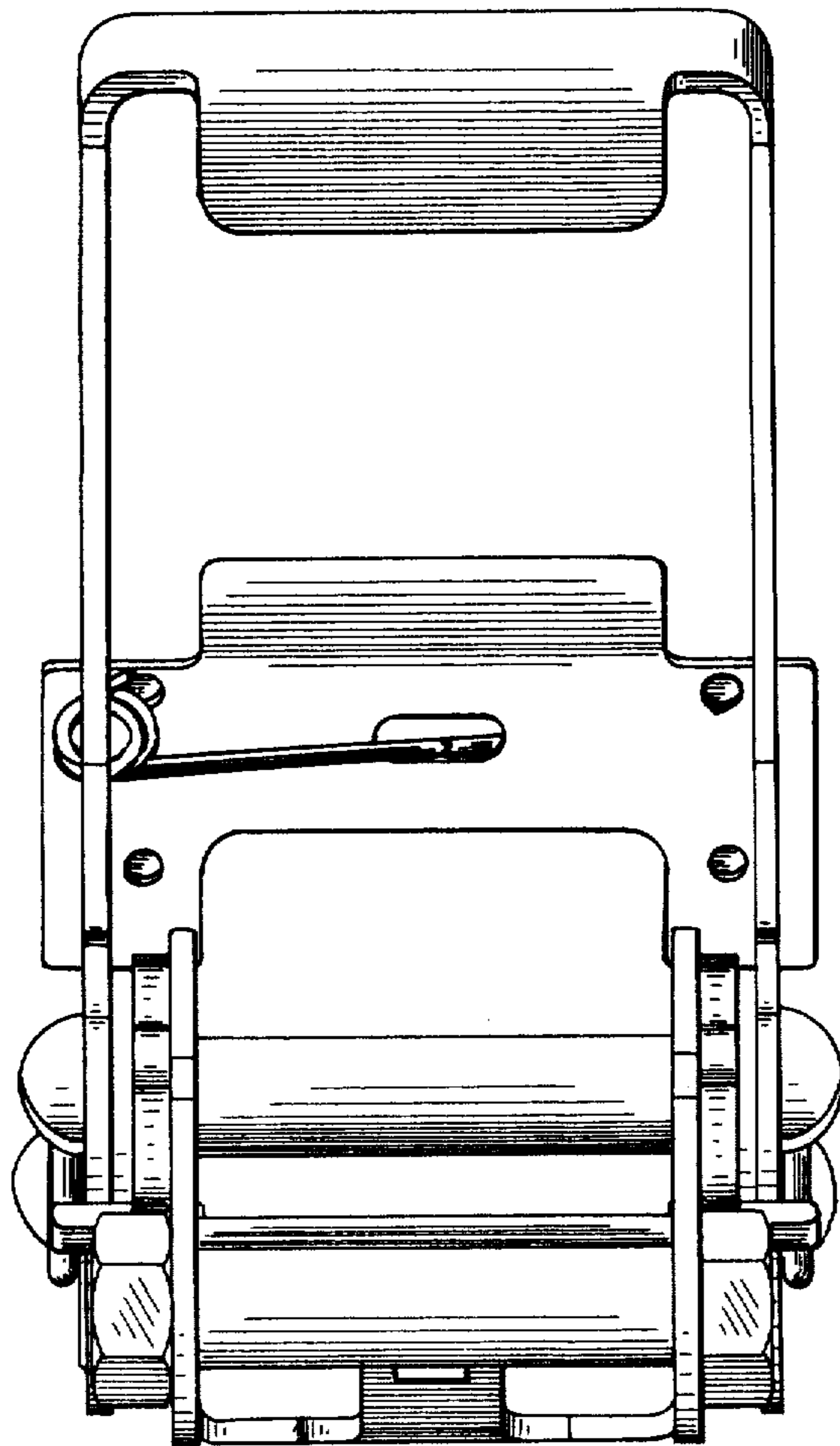


FIG. 10

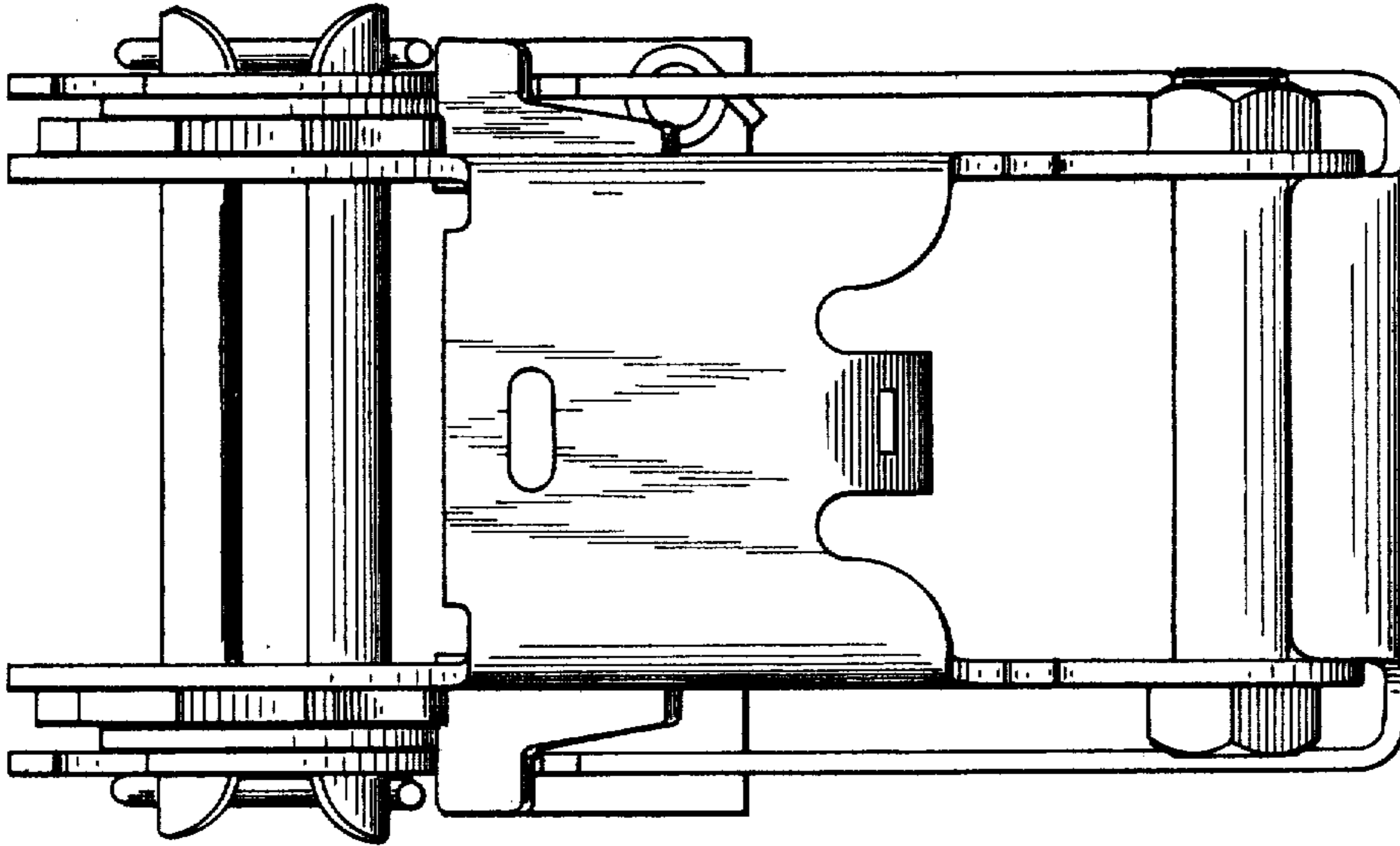


FIG. 11

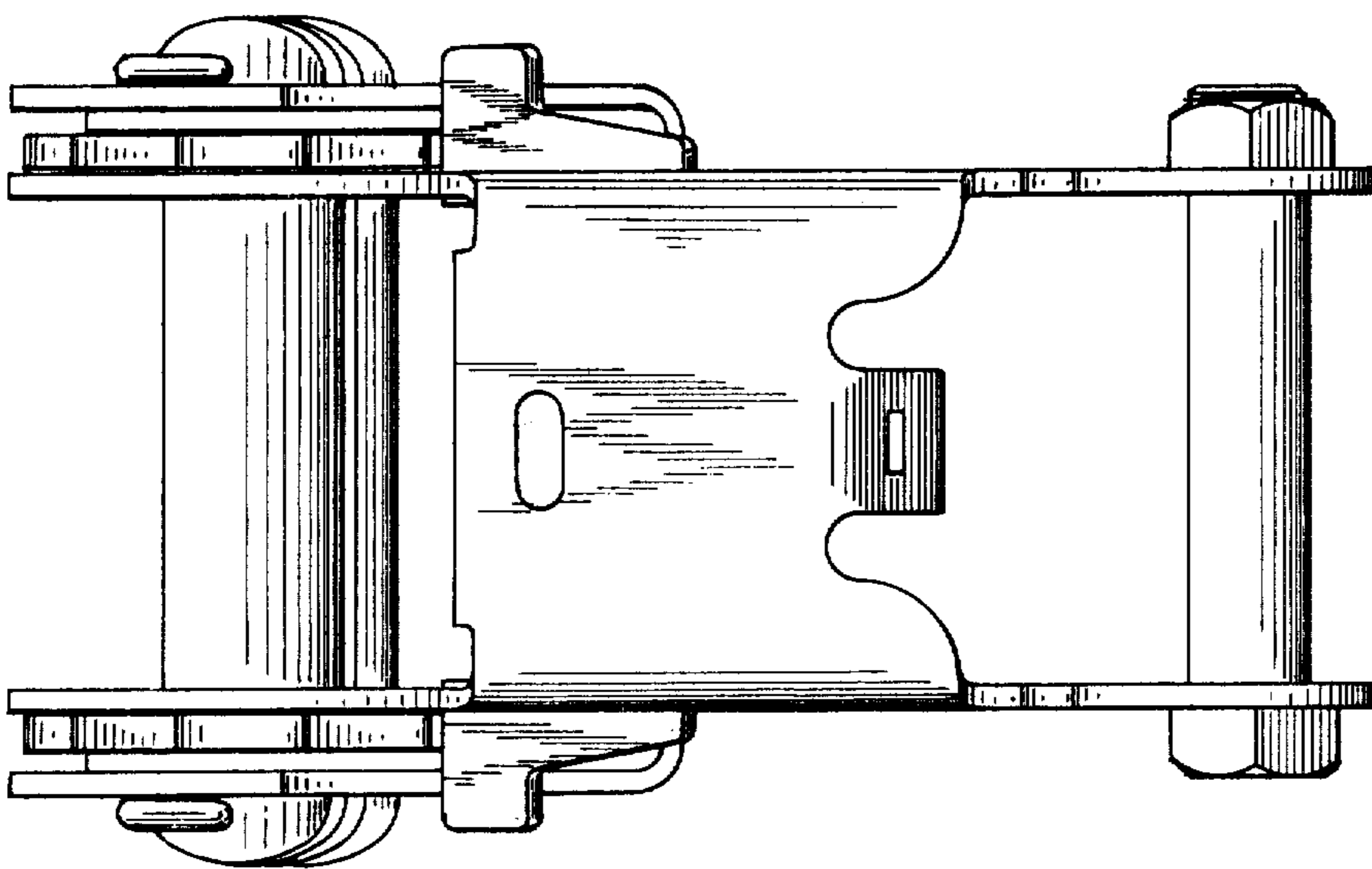


FIG. 12