

[54] EXTENDIBLE TABLE OR SIMILAR ARTICLE

[76] Inventor: **Garbriella Crespi**, Via Montenapoleone, 2, Milan, Italy

[**] Term: **14 Years**

[21] Appl. No.: **230,494**

[22] Filed: **Feb. 2, 1981**

[30] Foreign Application Priority Data

Aug. 5, 1980 [IT] Italy 22513/80[U]

[51] Int. Cl. **D6-03**

[52] U.S. Cl. **D6/178; D6/146; D6/167**

[58] Field of Search **D6/27, 146-149, D6/167, 168, 175, 177-179; D9/422, 423; 108/93-111; 312/198, 201**

[56] References Cited

U.S. PATENT DOCUMENTS

D. 147,482	9/1947	Winterfeld	D6/170
D. 157,362	2/1950	Francis	D6/168
D. 185,992	8/1959	D'Arbeloff	D3/75
D. 230,332	2/1974	Boeri	D6/178
D. 254,822	4/1980	Crespi	D6/27
3,392,868	7/1968	Pfrommer	D9/422 X

Primary Examiner—Bruce W. Dunkins
Attorney, Agent, or Firm—Holman & Stern

[57] CLAIM

The ornamental design for an extendible table or similar article, as shown.

DESCRIPTION

FIG. 1 is a front perspective view showing the extendible table in closed condition;
FIG. 2 is a rear perspective view showing the table in closed condition;
FIG. 3 is a front perspective view showing the table in a completely open condition; and
FIG. 4 is a front perspective view showing the table in partially open condition.

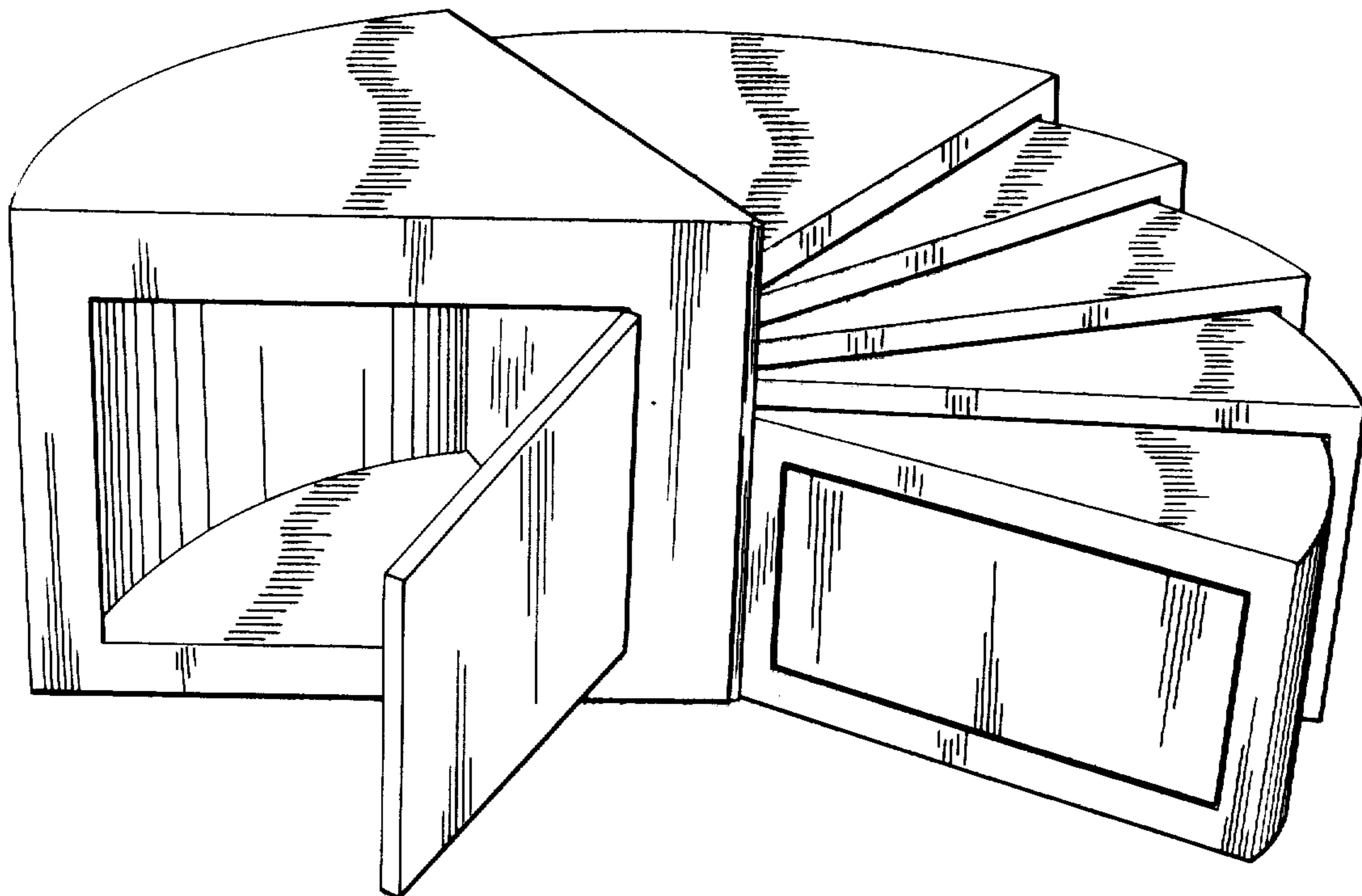


Fig. 1

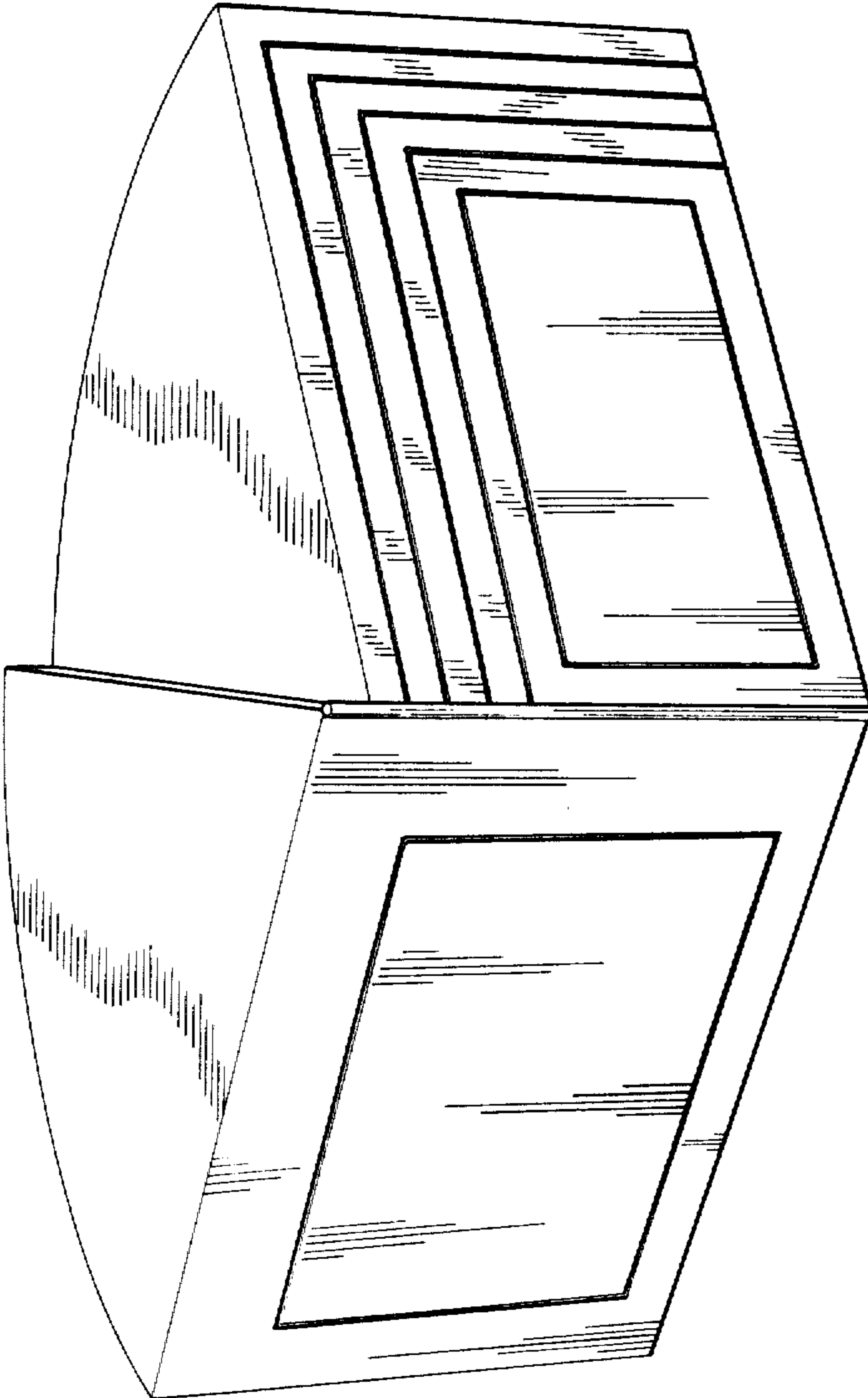


Fig. 2

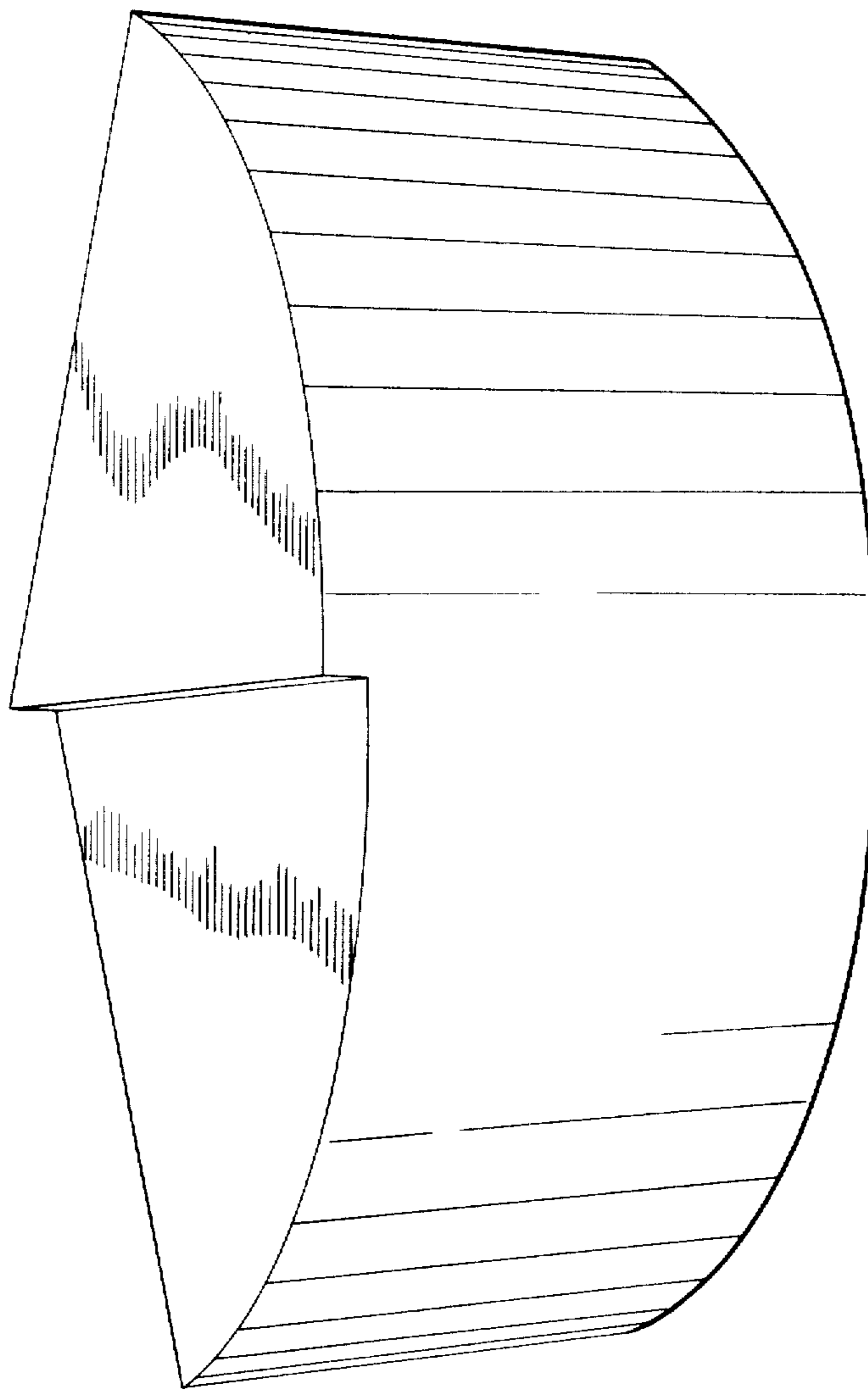


Fig. 3

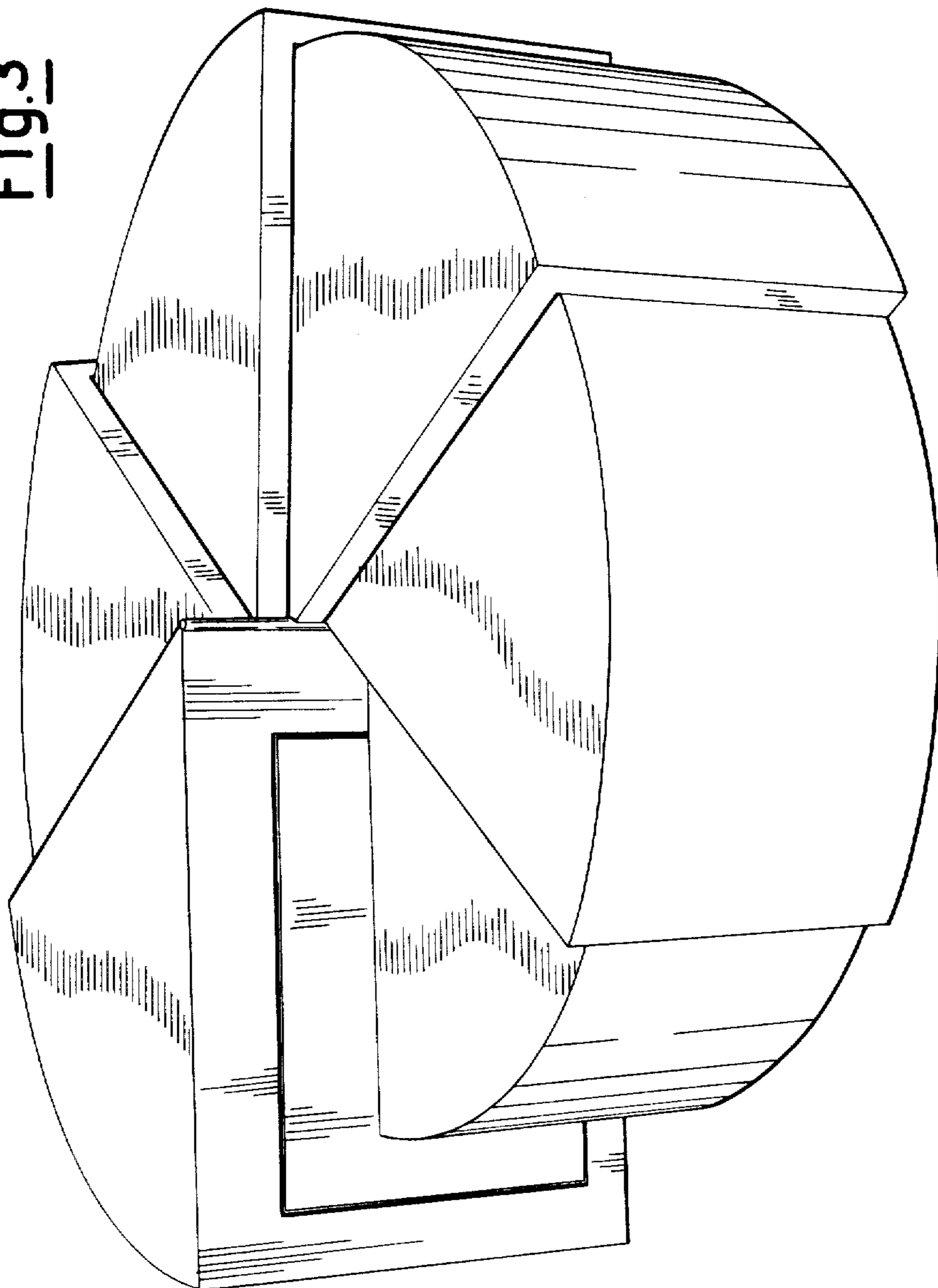


Fig. 4

