

[54] **EXTENSIBLE TABLE**

[76] Inventor: **Garbriella Crespi**, Via
Montenapoleone, 2, Milan, Italy

[**] Term: **14 Years**

[21] Appl. No.: **230,493**

[22] Filed: **Feb. 2, 1981**

[30] **Foreign Application Priority Data**

Aug. 5, 1980 [IT] Italy 22512/80[U]

[51] Int. Cl. **D6—03**

[52] U.S. Cl. **D6/178; D6/27;**
D6/146

[58] Field of Search **D6/20-27,**
D6/146-149, 177-179; D9/323, 341; 108/90,
102, 103, 111, 114; 312/208; D3/75; D7/38

[56] **References Cited**

U.S. PATENT DOCUMENTS

- D. 169,144 3/1953 Karoff D7/38
- D. 185,992 8/1959 D'Archeloff D3/75
- D. 199,820 12/1964 Meeker D3/75

- D. 228,589 10/1973 Moretini D6/24
- D. 230,332 2/1974 Boeri D6/178
- D. 254,822 4/1980 Crespi D6/146 X
- 488,594 12/1892 Yost 108/103

FOREIGN PATENT DOCUMENTS

- 1147375 6/1957 France D6/178 X

OTHER PUBLICATIONS

Design Catalog, May 1979, p. 28, Storage Unit lower left by Makepeace.

Primary Examiner—Bruce W. Dunkins
Attorney, Agent, or Firm—Holman & Stern

[57] **CLAIM**

The ornamental design for an extensible table, as shown and described.

DESCRIPTION

FIG. 1 is a front perspective view of an extensible table showing my design in closed condition; FIG. 2 is a front perspective view showing the table in open condition; and FIG. 3 is a rear perspective view showing the table in open condition.

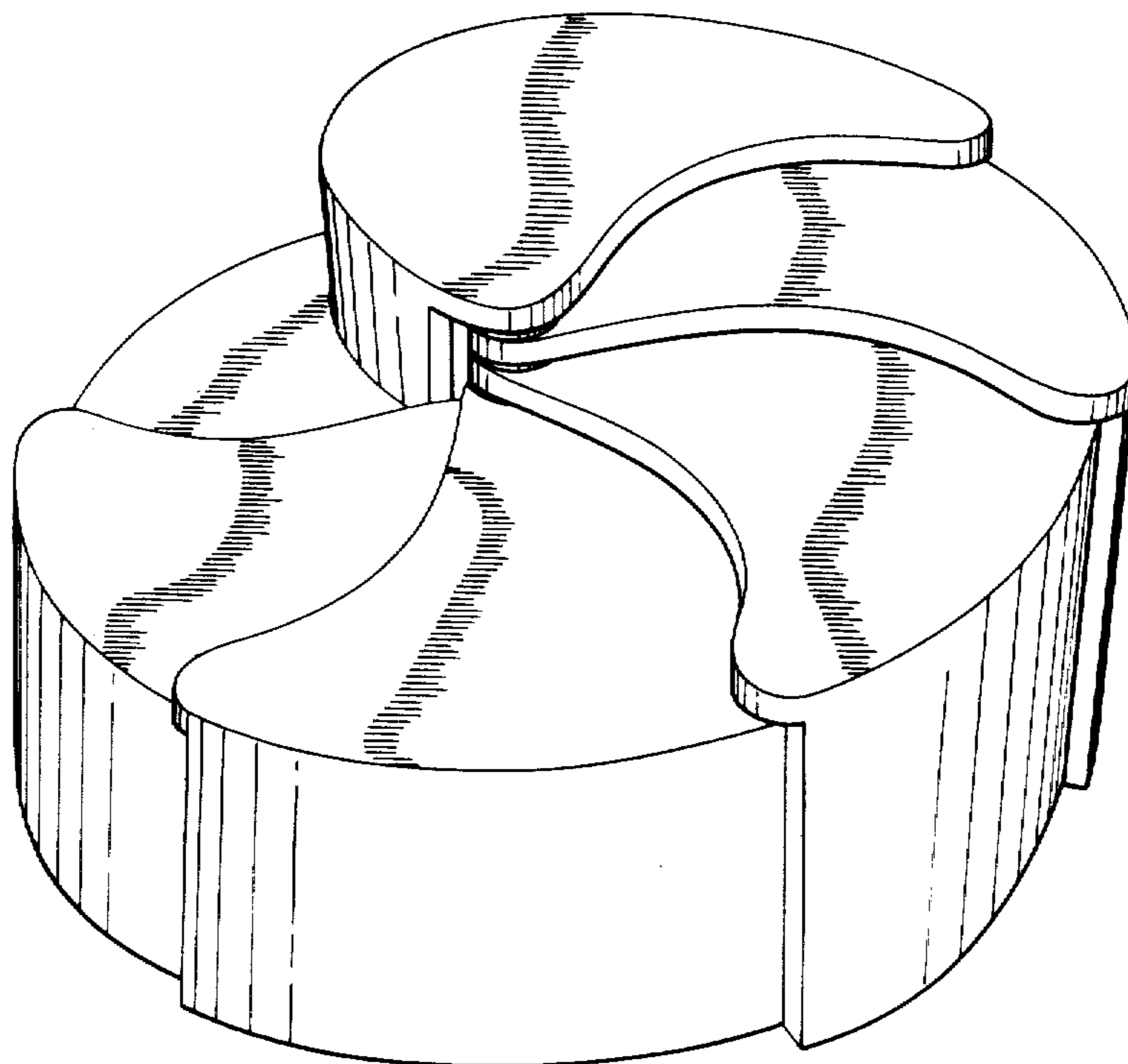
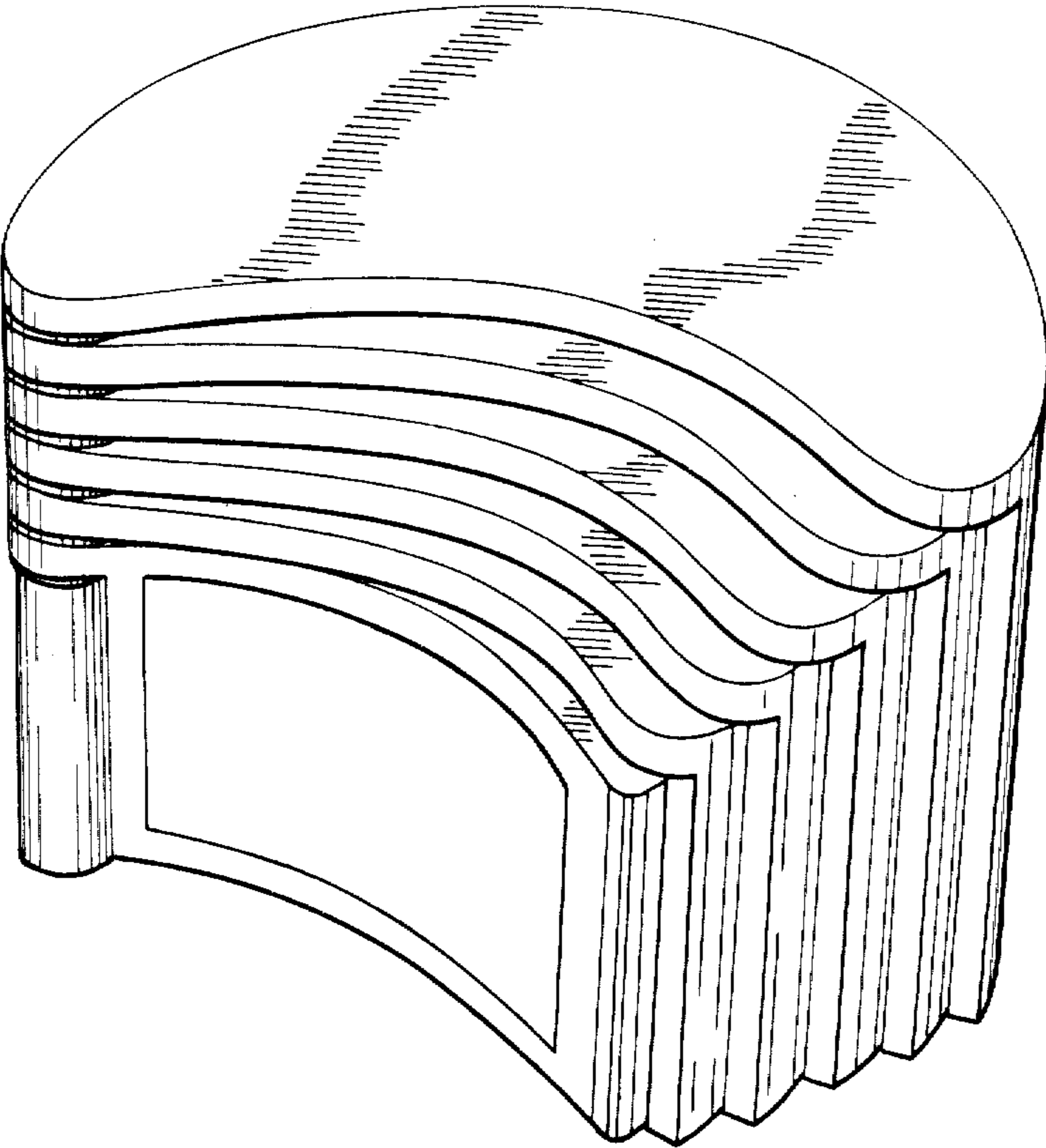


Fig.1



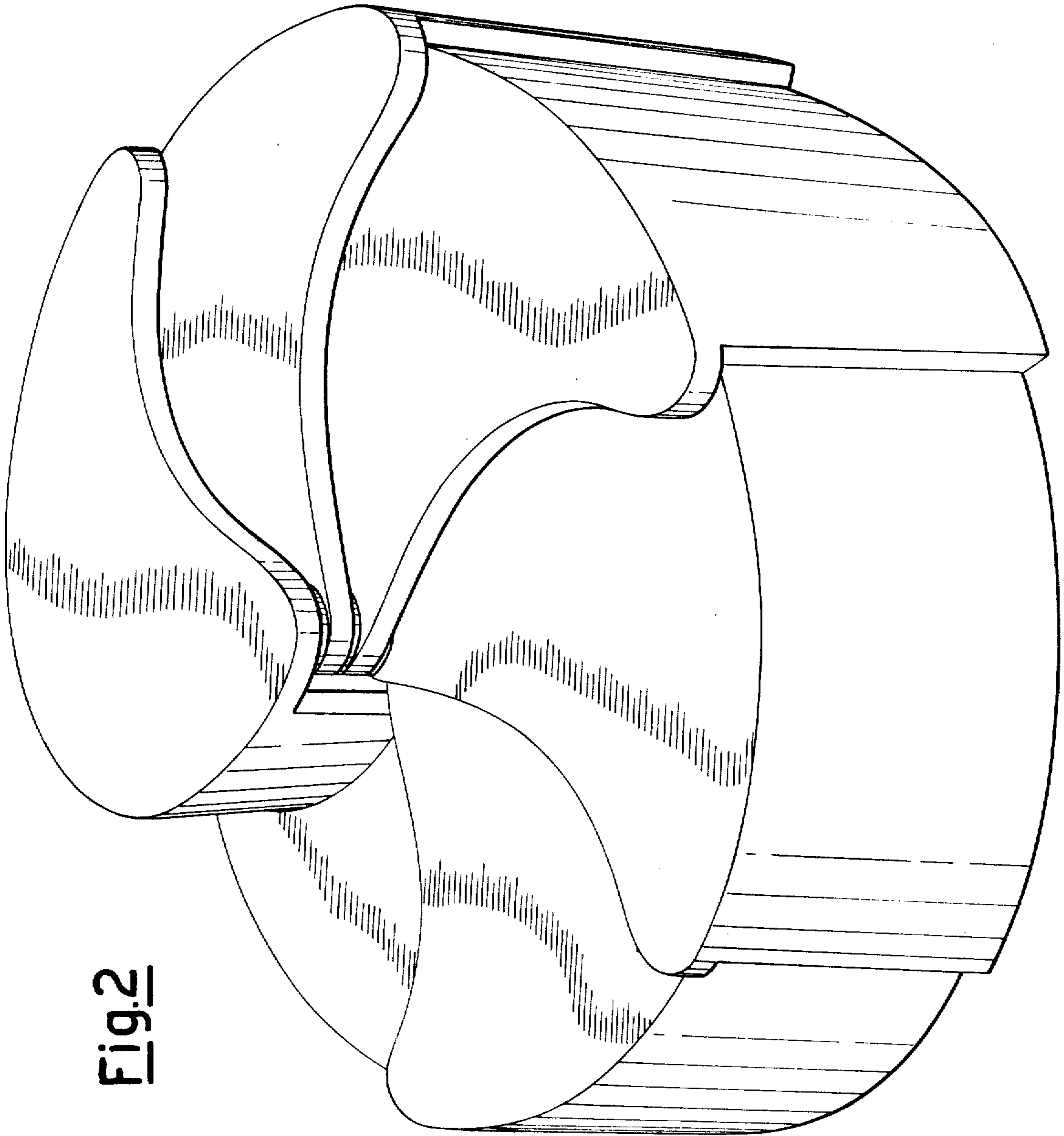


Fig. 2

Fig. 3

