

[54] WALL MOUNTED PRIZE RIBBONS DISPLAY RACK

[76] Inventor: Arynne Simon, 6606 Grulla St., Rancho La Costa, Calif. 92008

[**] Term: 14 Years

[21] Appl. No.: 152,896

[22] Filed: May 23, 1980

[51] Int. Cl. D06-06

[52] U.S. Cl. D6/114

[58] Field of Search D6/114, 85, 117; D8/316, 350; 211/60 R, 87

[56] References Cited

U.S. PATENT DOCUMENTS

D. 182,608	4/1958	Lubberts et al.	D8/350
D. 225,822	1/1973	James	D8/316 X
1,916,509	7/1933	Hammer	211/87
2,366,085	12/1944	Brothers	211/60 R

OTHER PUBLICATIONS

Sturbridge Yankee Workshop, 1973-Sep. 1974, p. 54, Towel Rack #GZ-TB18, top right corner of page.

Primary Examiner—Louis S. Zarfes

Assistant Examiner—Carmen H. Vales

Attorney, Agent, or Firm—Henri J. A. Charmasson

[57] CLAIM

The ornamental design for a wall mounted prize ribbons display rack, substantially as shown and described.

DESCRIPTION

FIG. 1 is a perspective view of a wall mounted prize ribbons display rack showing my new design; FIG. 2 is a left side elevational view thereof; FIG. 3 is a right side elevational view thereof; FIG. 4 is a front elevational view thereof; FIG. 5 is a top plan view thereof; FIG. 6 is a rear elevational view thereof; and FIG. 7 is a bottom plan view thereof.

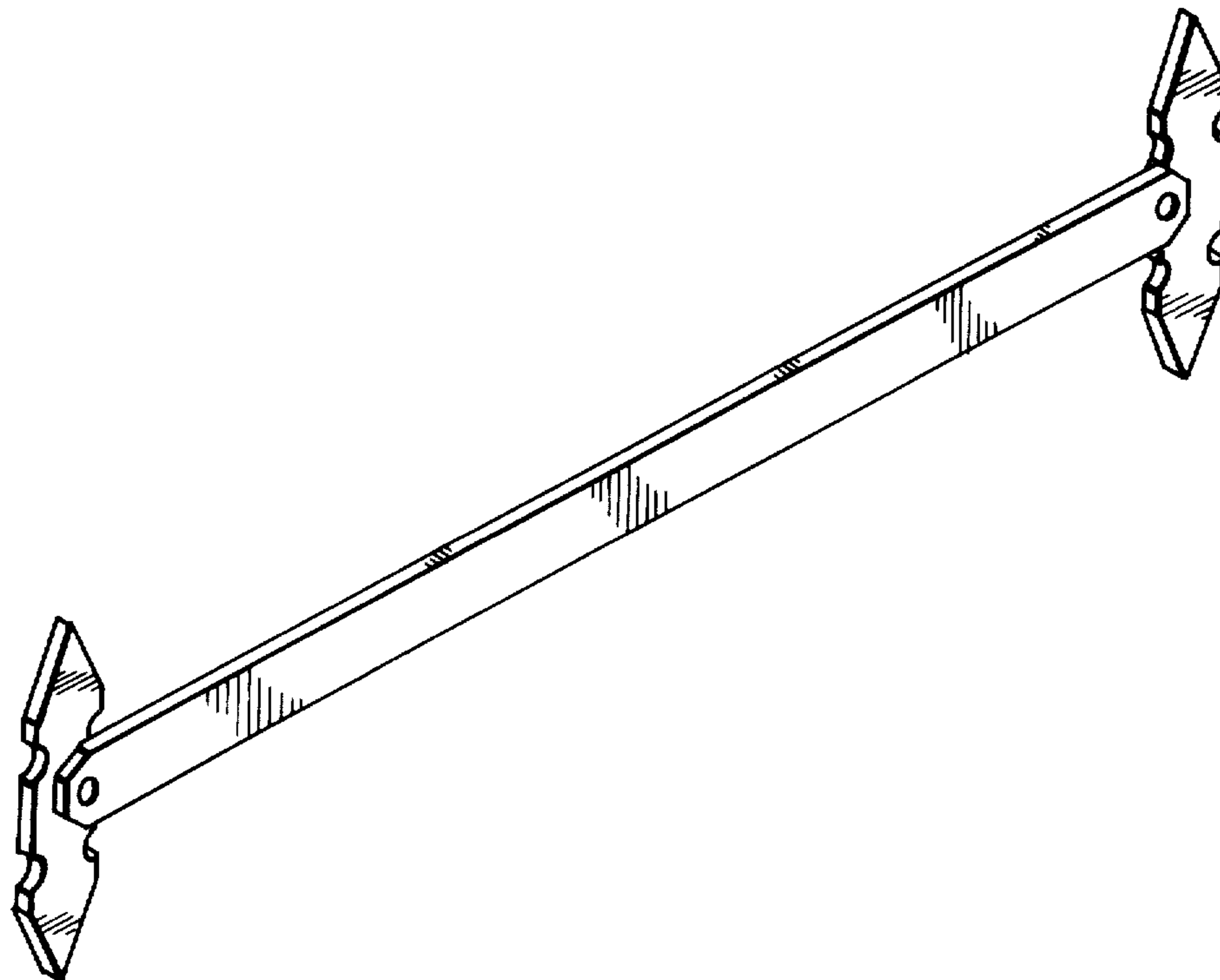


FIG. 1

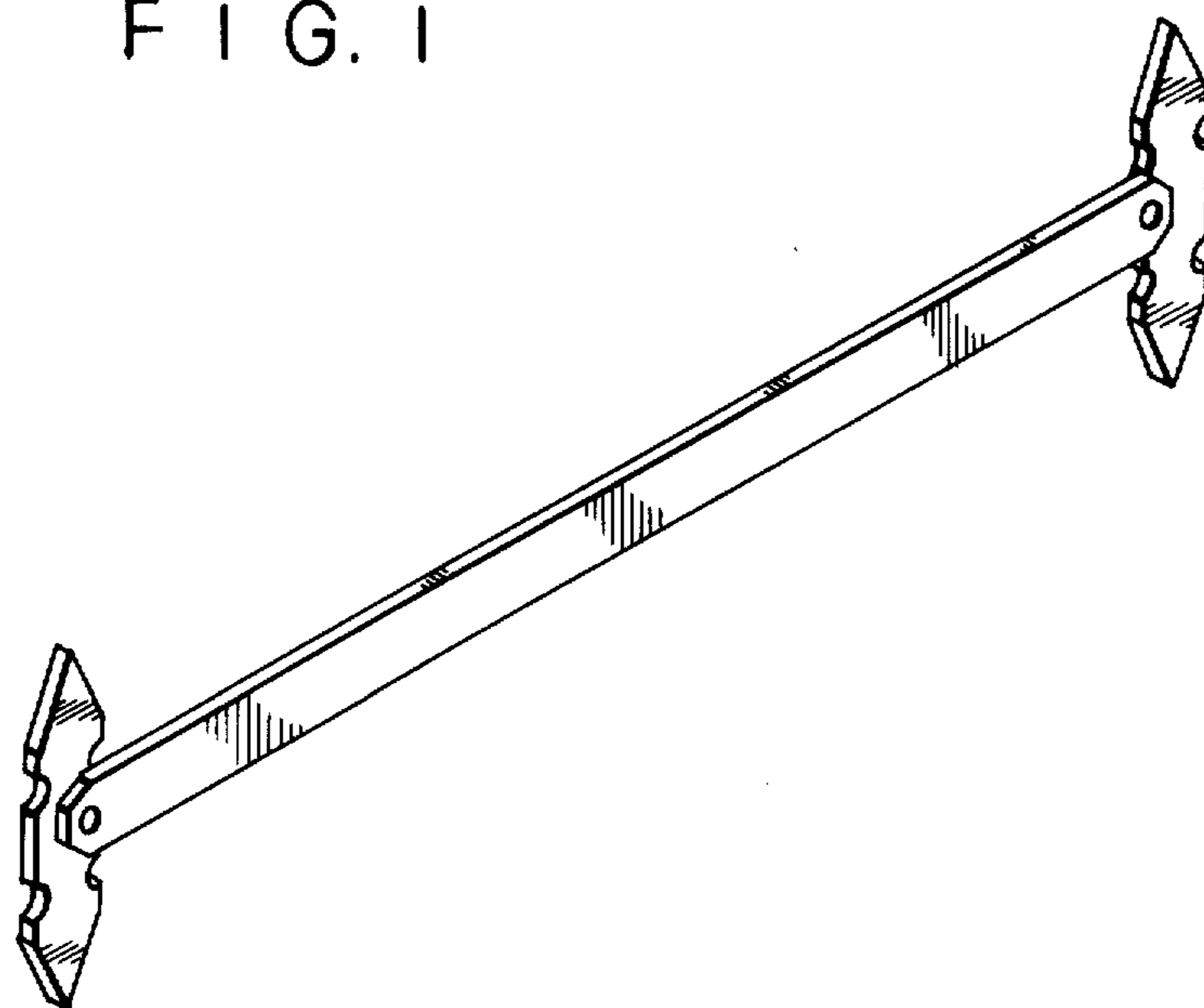


FIG. 2



FIG. 3



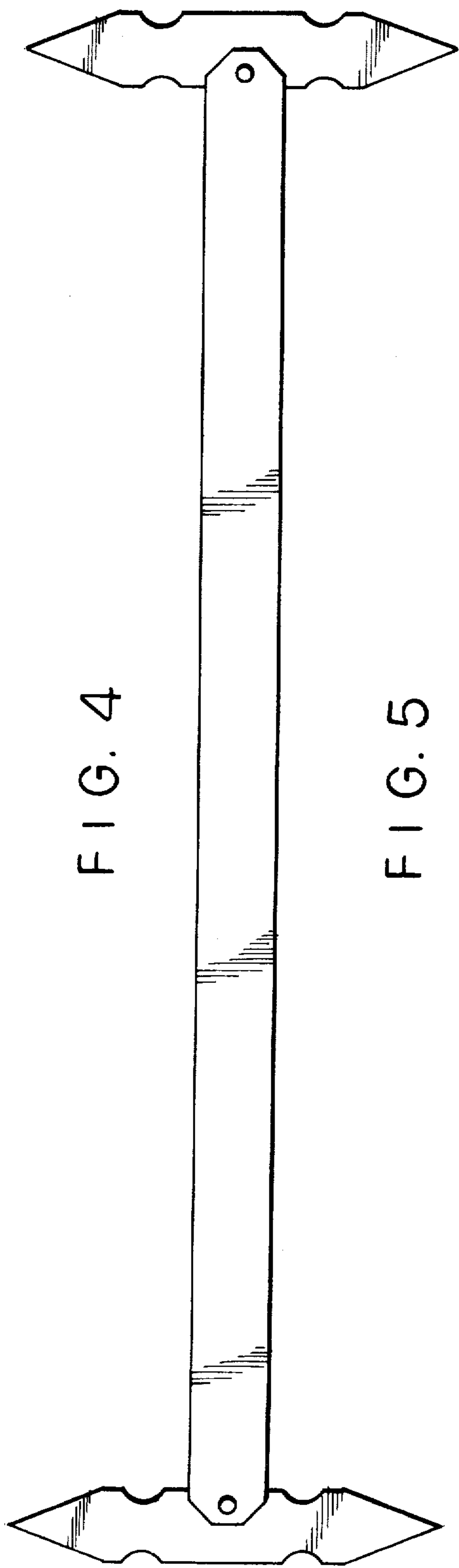


FIG. 4

FIG. 5

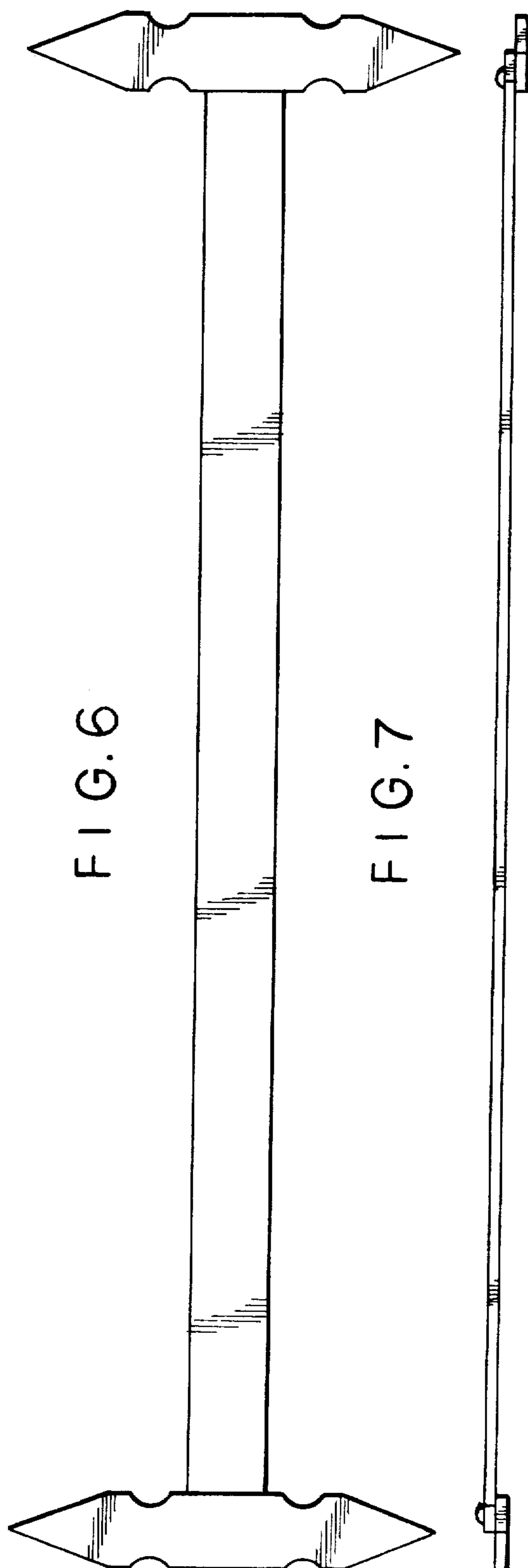


FIG. 6

FIG. 7