

[54] COUCH
 [76] Inventor: Marilyn M. Stern, 2336 California St., NW, Washington, D.C. 20008
 [**] Term: 14 Years
 [21] Appl. No.: 234,495
 [22] Filed: Feb. 17, 1981
 [51] Int. Cl. D6-01
 [52] U.S. Cl. D6/63
 [58] Field of Search D6/47-78;
 297/233, 234, 440, 443

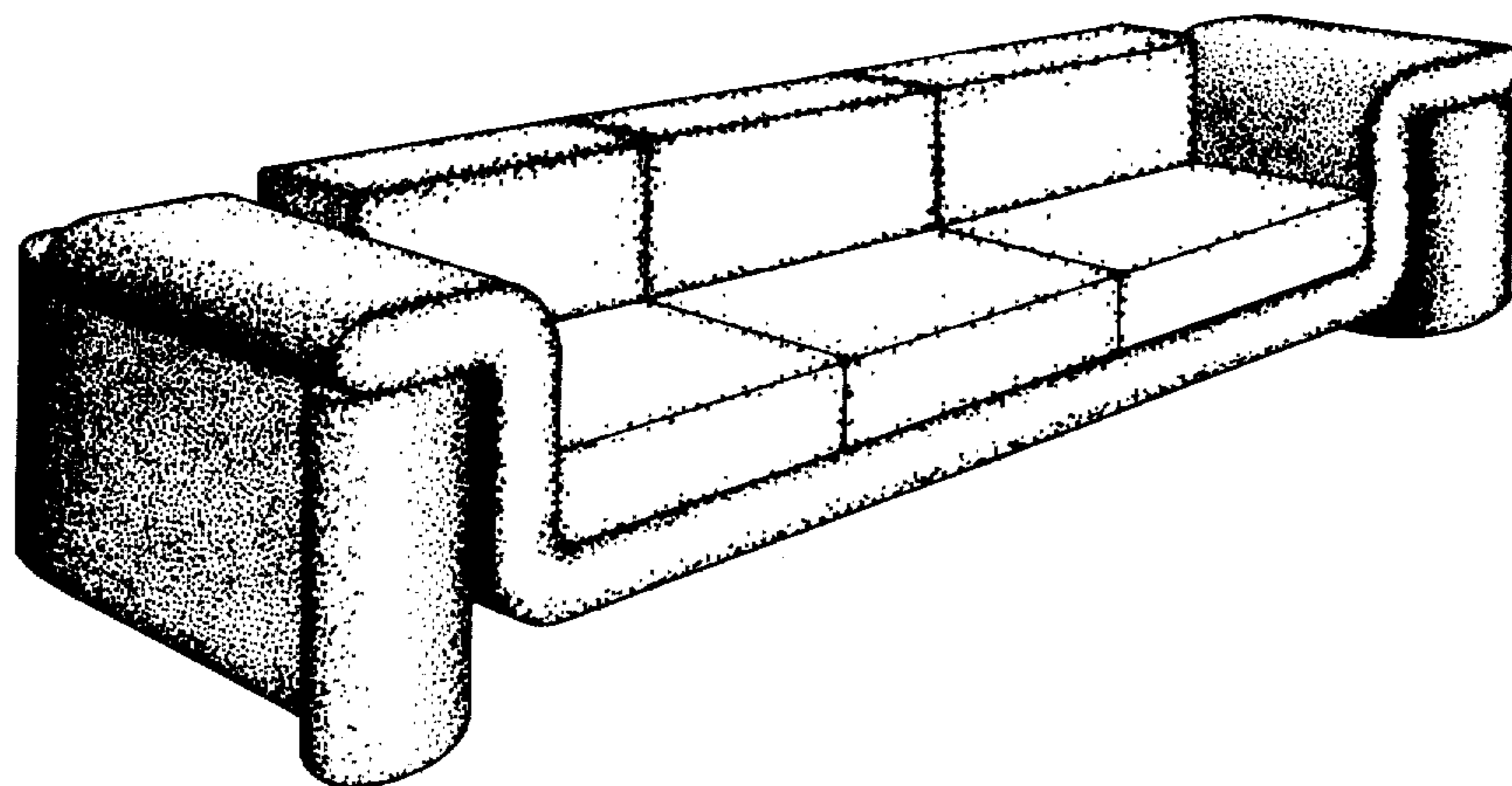
[56] **References Cited**
U.S. PATENT DOCUMENTS
 D. 260,582 9/1981 Lüthy D6/63
 3,700,282 10/1972 Rowland 297/440

OTHER PUBLICATIONS
 Furniture Retailer, Feb. 1955, p. 29, Sofa left center.

Interiors, Jul. 1973, p. 38, Sofa top left by Tech. Furn. Co.
 Schweiger Cat. "Epic" GP. Sofa, No. 02759-1172.
Primary Examiner—Bruce W. Dunkins
Attorney, Agent, or Firm—Stevens, Davis, Miller & Mosher

[57] **CLAIM**
 The ornamental design for a couch, as shown.

DESCRIPTION
 FIG. 1 is a front elevational view of the couch showing my new design;
 FIG. 2 is a rear elevations view of the design;
 FIG. 3 is a left elevational view of the design;
 FIG. 4 is a right elevational view of the design;
 FIG. 5 is a top plan view of the design;
 FIG. 6 is a left perspective front view of the design;
 FIG. 7 is a right perspective back view of the design;
 and,
 FIG. 8 is a bottom plan view of the design.



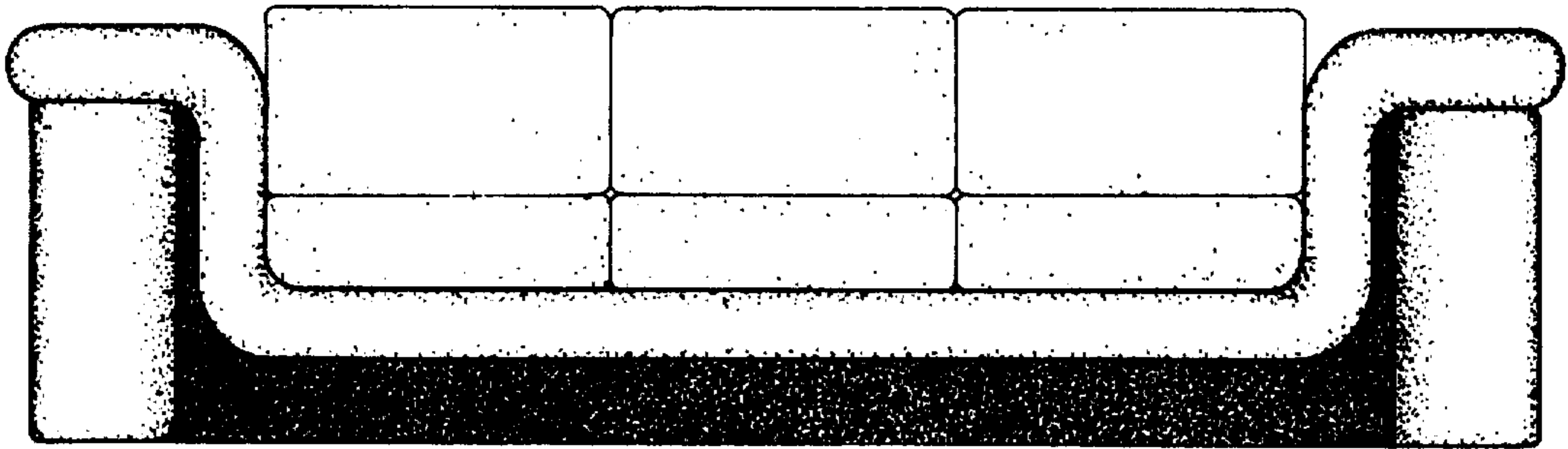


FIG. 1

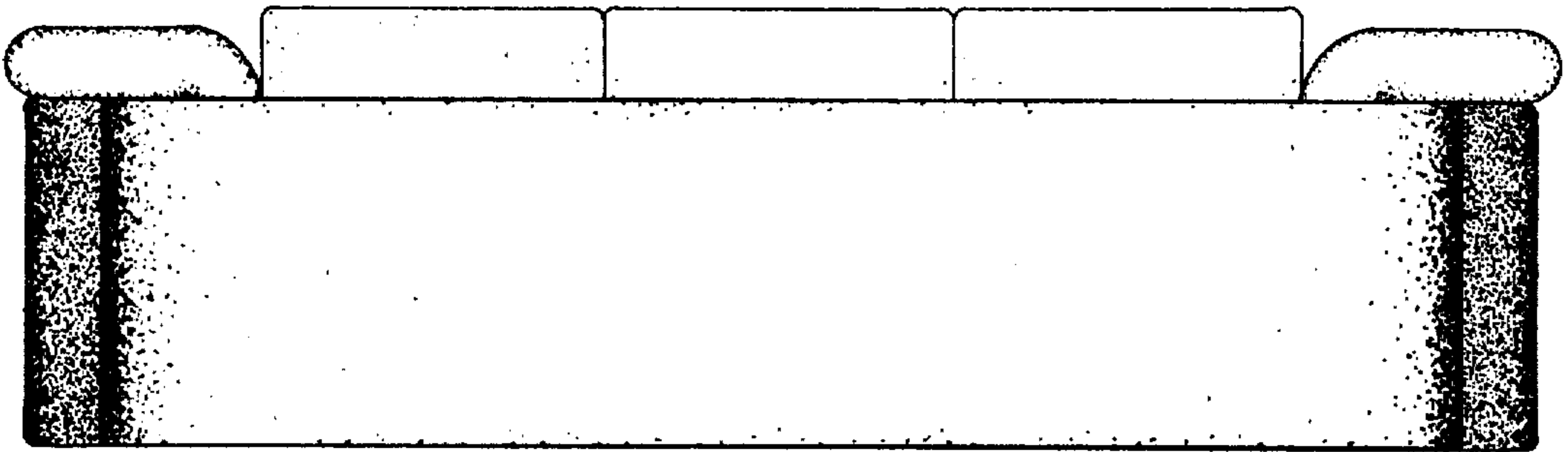


FIG. 2

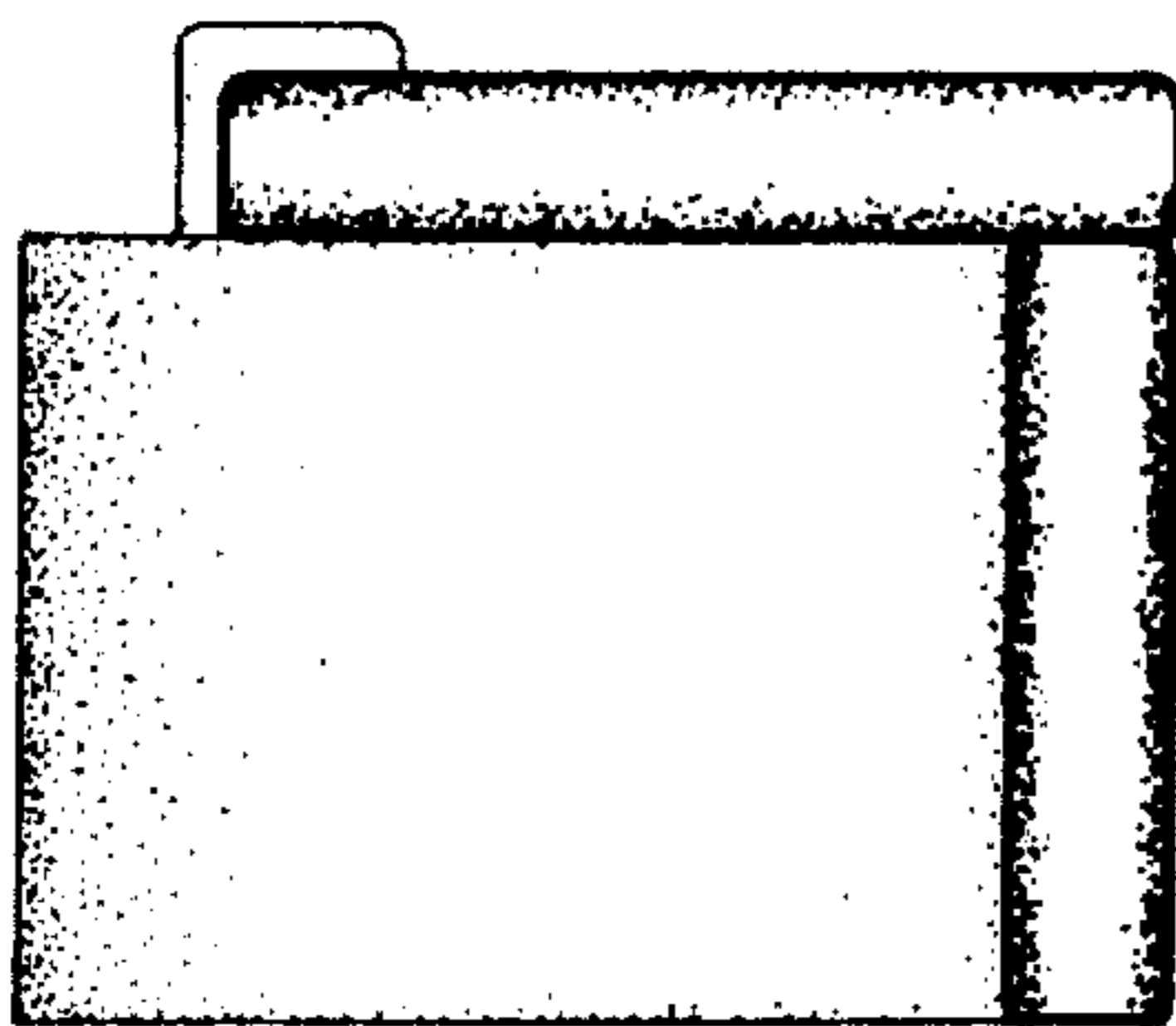


FIG. 3

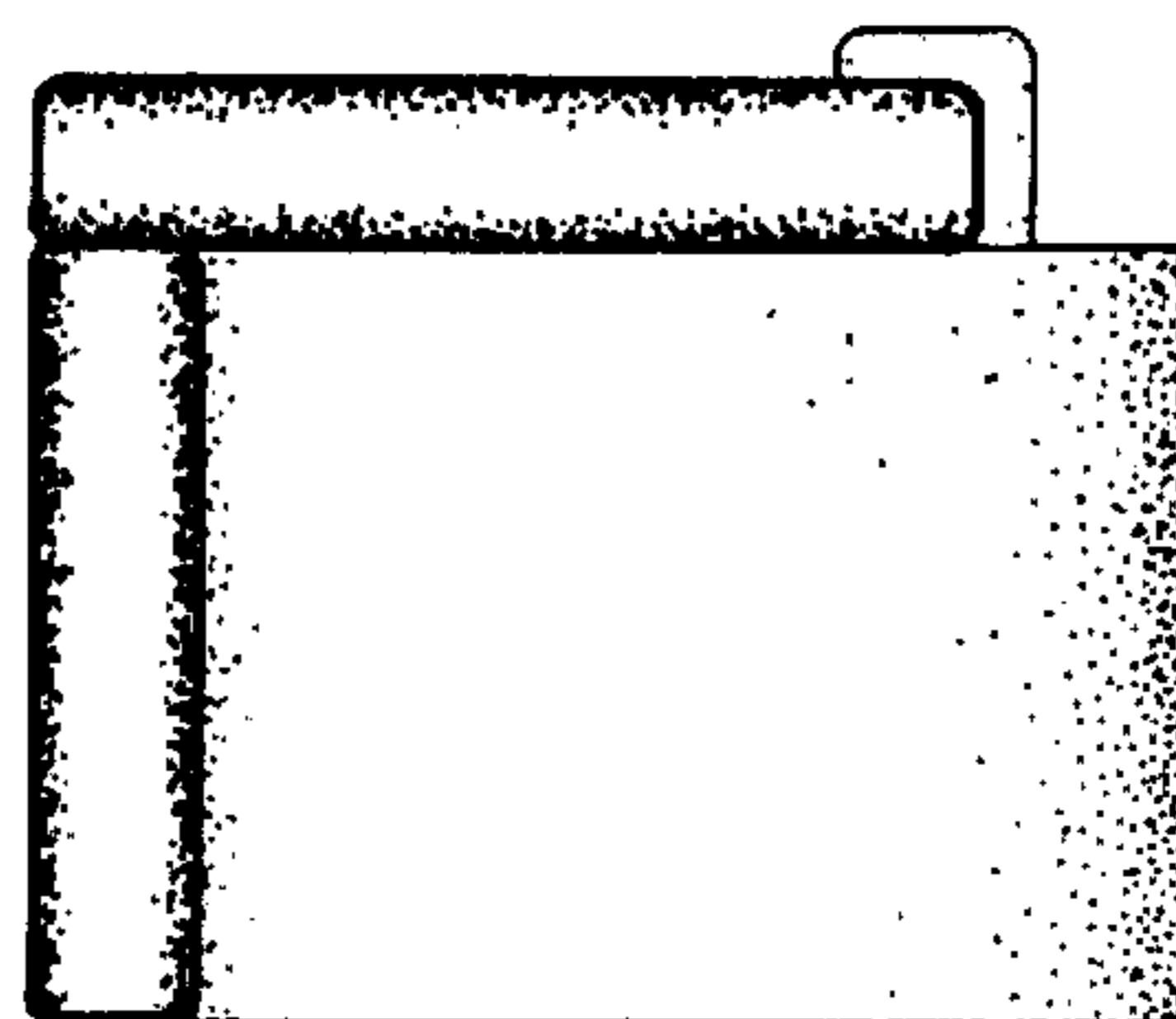


FIG. 4

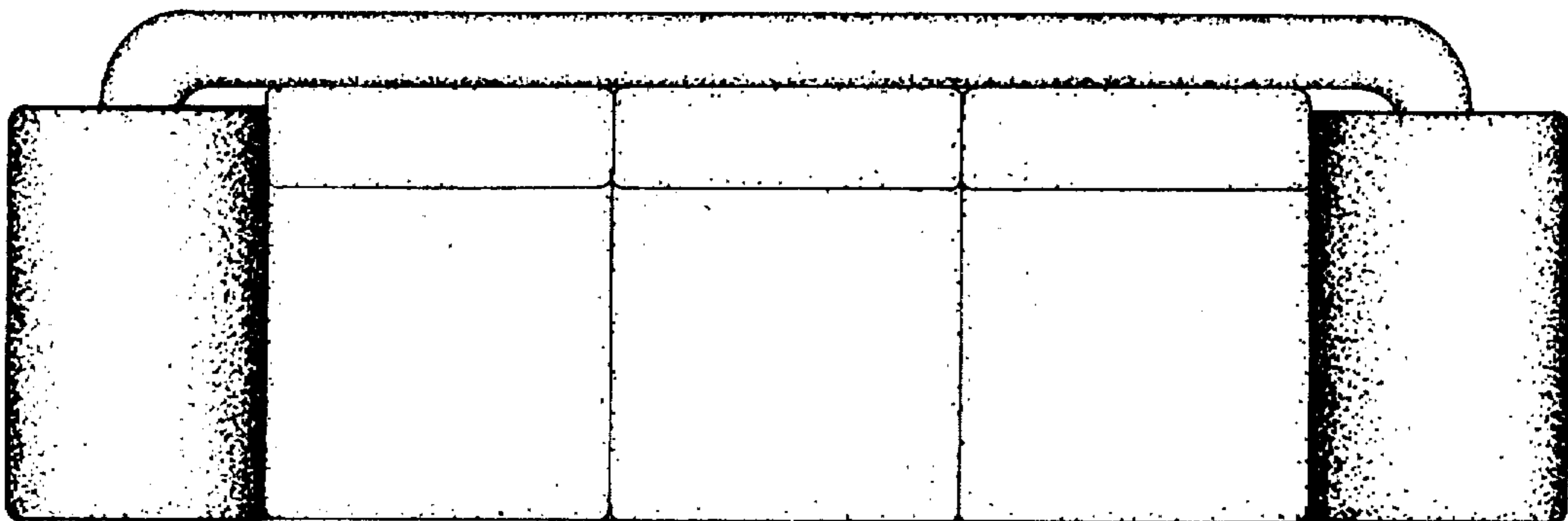


FIG. 5

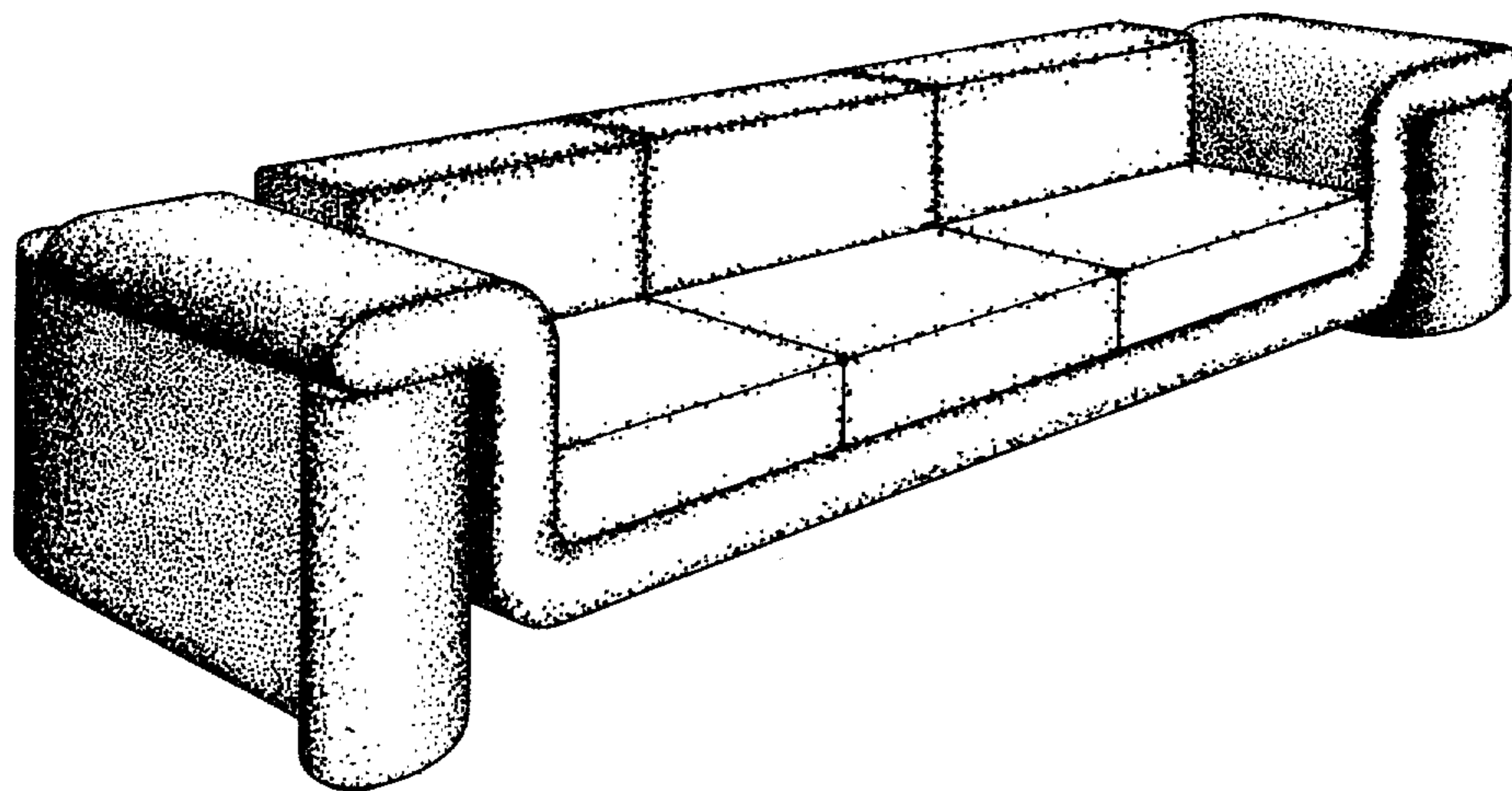


FIG. 6

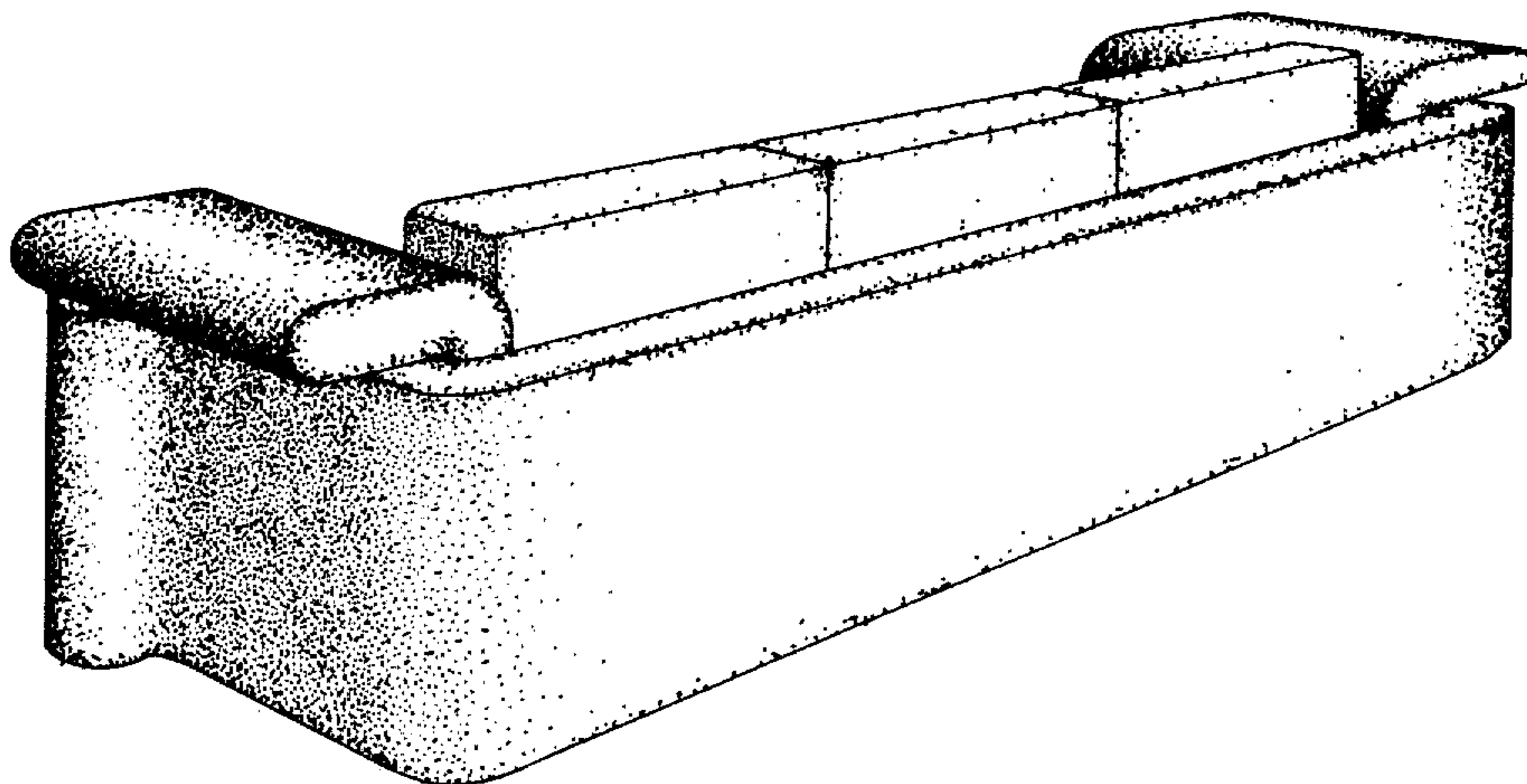


FIG. 7

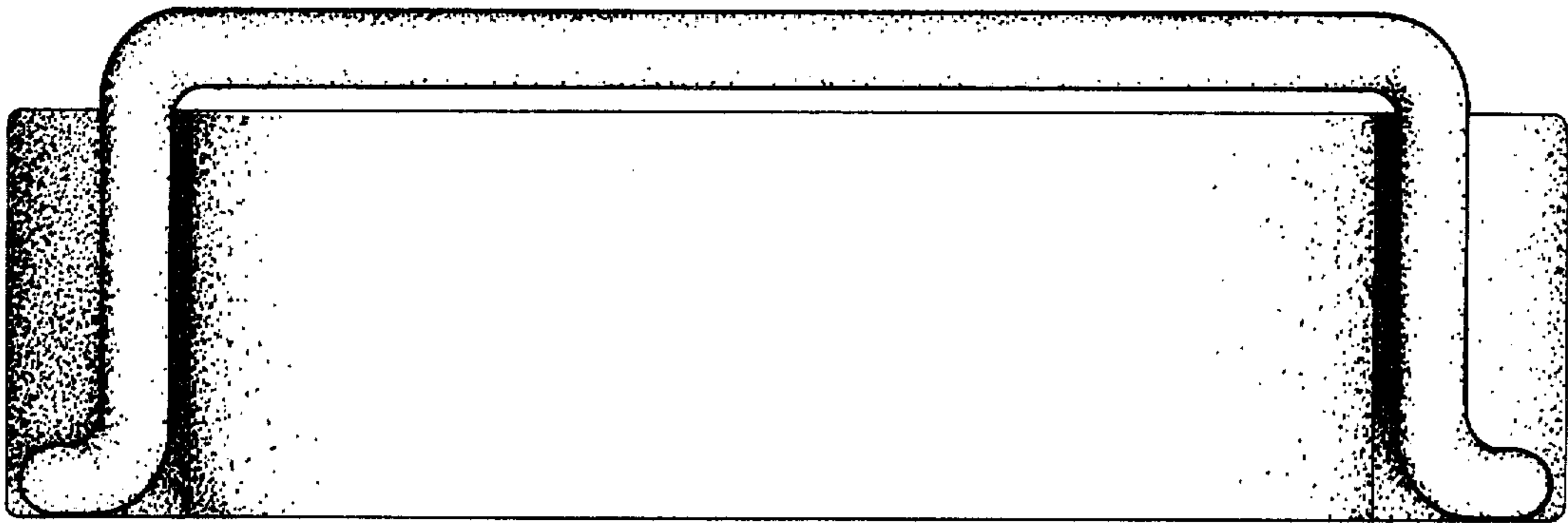


FIG. 8