

[54] **CHAISE**

[75] **Inventor:** Gregory D. Bergquist, Mountain Brook, Ala.

[73] **Assignee:** Simmons Universal Corporation, New York, N.Y.

[\*\*] **Term:** 14 Years

[21] **Appl. No.:** 185,649

[22] **Filed:** Sep. 9, 1980

[51] **Int. Cl.** ..... D6-01

[52] **U.S. Cl.** ..... D6/38

[58] **Field of Search** ..... D6/47-78,  
D6/37-39

[56] **References Cited**

**PUBLICATIONS**

Tropitone brochure, Cantina Series, adjustable chaise No. 1032.

Molla brochure, dated Jan. 19, 1951, p. 7, Chaise Lounge No. CLSW/7.

*Primary Examiner*—Bruce W. Dunkins

[57] **CLAIM**

The ornamental design for a chaise, as shown and described.

**DESCRIPTION**

FIG. 1 is a perspective view of the chaise of the present invention;

FIG. 2 is a top view thereof;

FIG. 3 is a back view thereof; and

FIG. 4 is a front view thereof.

The design is characterized by back adjusting mechanism which includes a pair of parallel arcuate members having a plurality of the thumb-shaped projections in combination with the arrangement of rear braces projecting from a common point, said point being spaced a distance from the plane defined by the back, all as best illustrated in FIGS. 1 and 3.

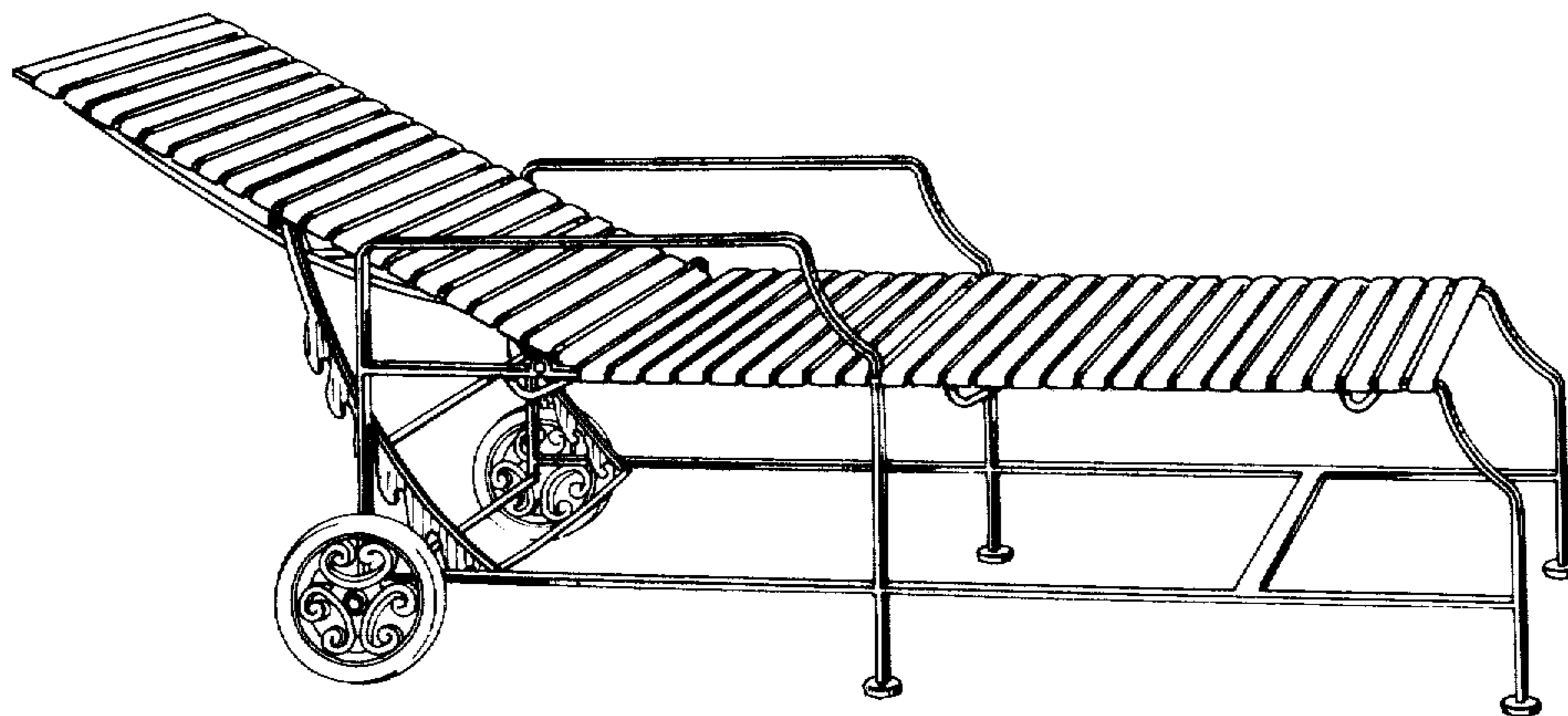
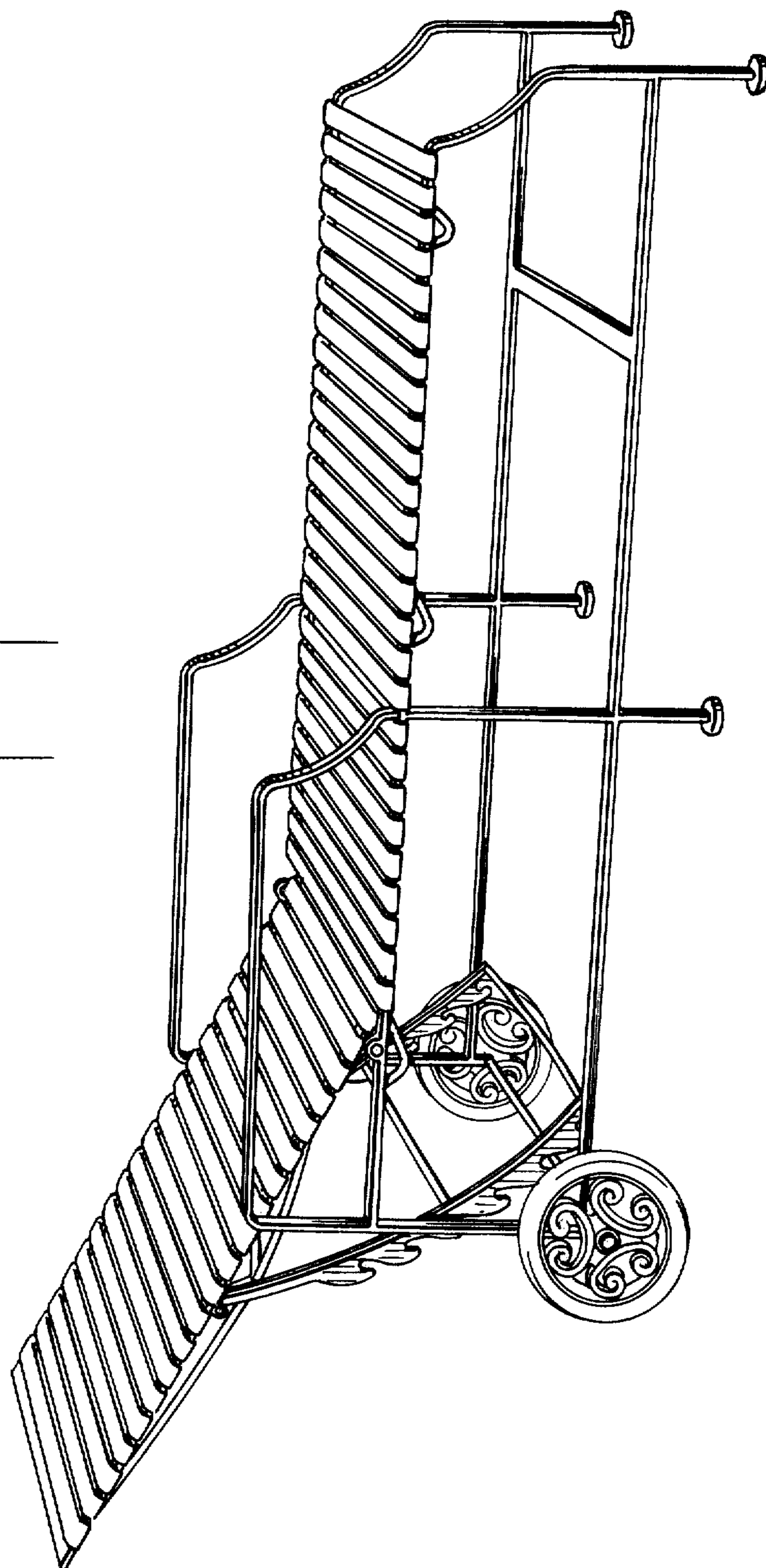


Fig. 1.



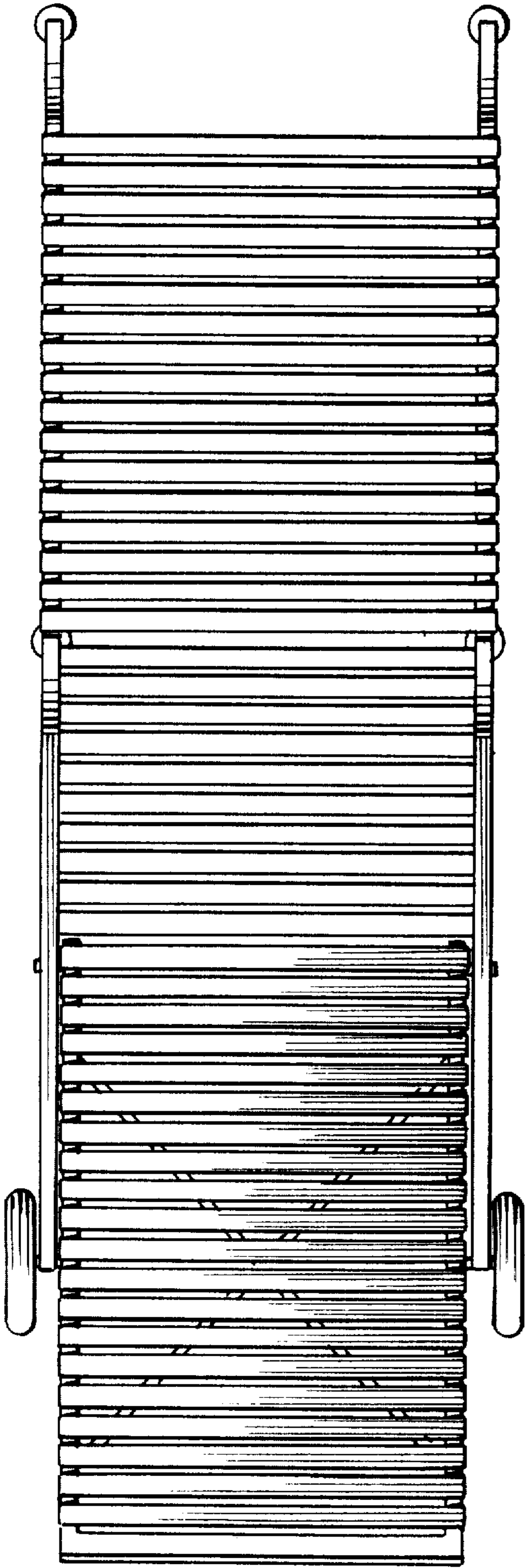


Fig. 2

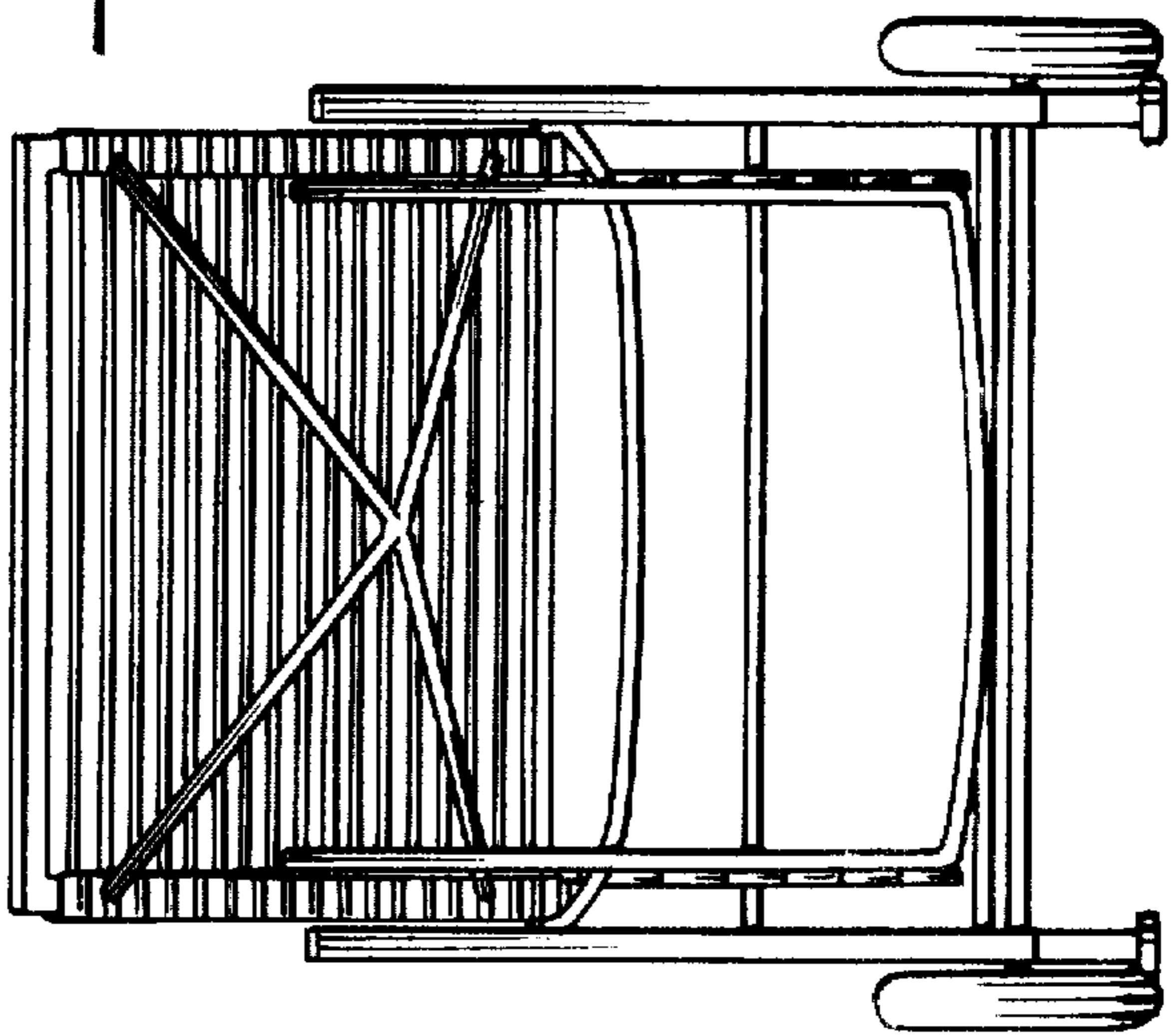


Fig. 3

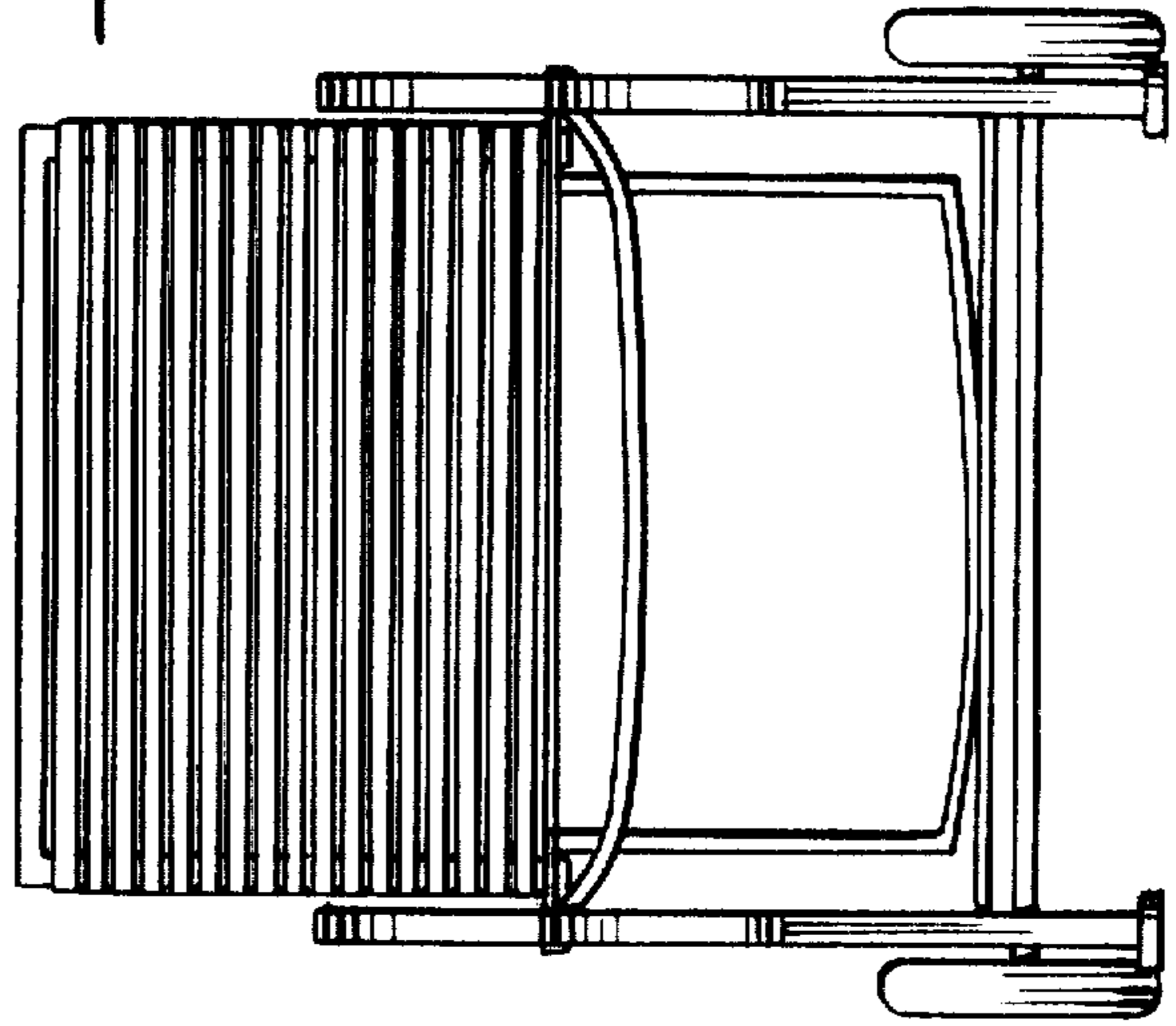


Fig. 4