

[54] **COIN HOLDER**

[76] Inventor: **Andrew E. Janetos**, Broadway Extension, P.O. Box 340, Dover, N.H. 03820

[**] Term: **14 Years**

[21] Appl. No.: **190,480**

[22] Filed: **Sep. 24, 1980**

[51] Int. Cl. **D99—00**

[52] U.S. Cl. **D99/34**

[58] Field of Search **D99/28, 34, 35, 36, D99/44; 206/0.8-0.84; 229/87.2, 93, 92.9; D9/249; 133/1 A, 8 A**

[56] **References Cited**

U.S. PATENT DOCUMENTS

189,939	4/1877	Husted	206/0.82
206,110	7/1878	Hitchcock	229/87.2
D. 240,326	6/1976	Nelson	D99/34
D. 247,793	4/1978	McCarthy	D99/34
D. 257,070	9/1980	Holmes	D99/34
293,033	2/1884	Johnston	229/87.2
527,266	10/1894	Chope	229/87.2
667,104	1/1901	Schlemmer	206/0.82
712,087	10/1902	O'Neill	206/0.82
1,010,346	11/1911	Burns	206/0.82
1,076,400	10/1913	Welton	206/0.82
1,194,192	8/1916	Kittrell	206/82
2,194,904	3/1940	Jackson	206/87.2
3,092,304	9/1961	Kerrell	229/87.2

3,164,478	12/1961	Bostrom	426/119
3,198,418	8/1965	Rupp	229/93
3,244,272	4/1966	Beaman et al.	206/0.82
3,282,494	11/1966	Tarn	229/87.2
3,402,806	10/1968	Sutherland	206/0.82
3,420,359	1/1969	Cochrane	206/0.82
3,438,826	4/1969	Eikeren	229/2.5
3,445,056	5/1969	McCullough	229/87.2
3,476,240	11/1969	Howell	206/8.2
3,776,375	12/1973	Rohdin	206/45.34
4,089,459	5/1978	Huard	229/87.2
4,139,093	2/1979	Holmes	206/0.82
4,183,432	1/1980	Lemaire	206/0.82

FOREIGN PATENT DOCUMENTS

1208062	12/1958	France	206/0.8
---------	---------	--------	---------

Primary Examiner—Charles A. Rademaker
Attorney, Agent, or Firm—William Nitkin

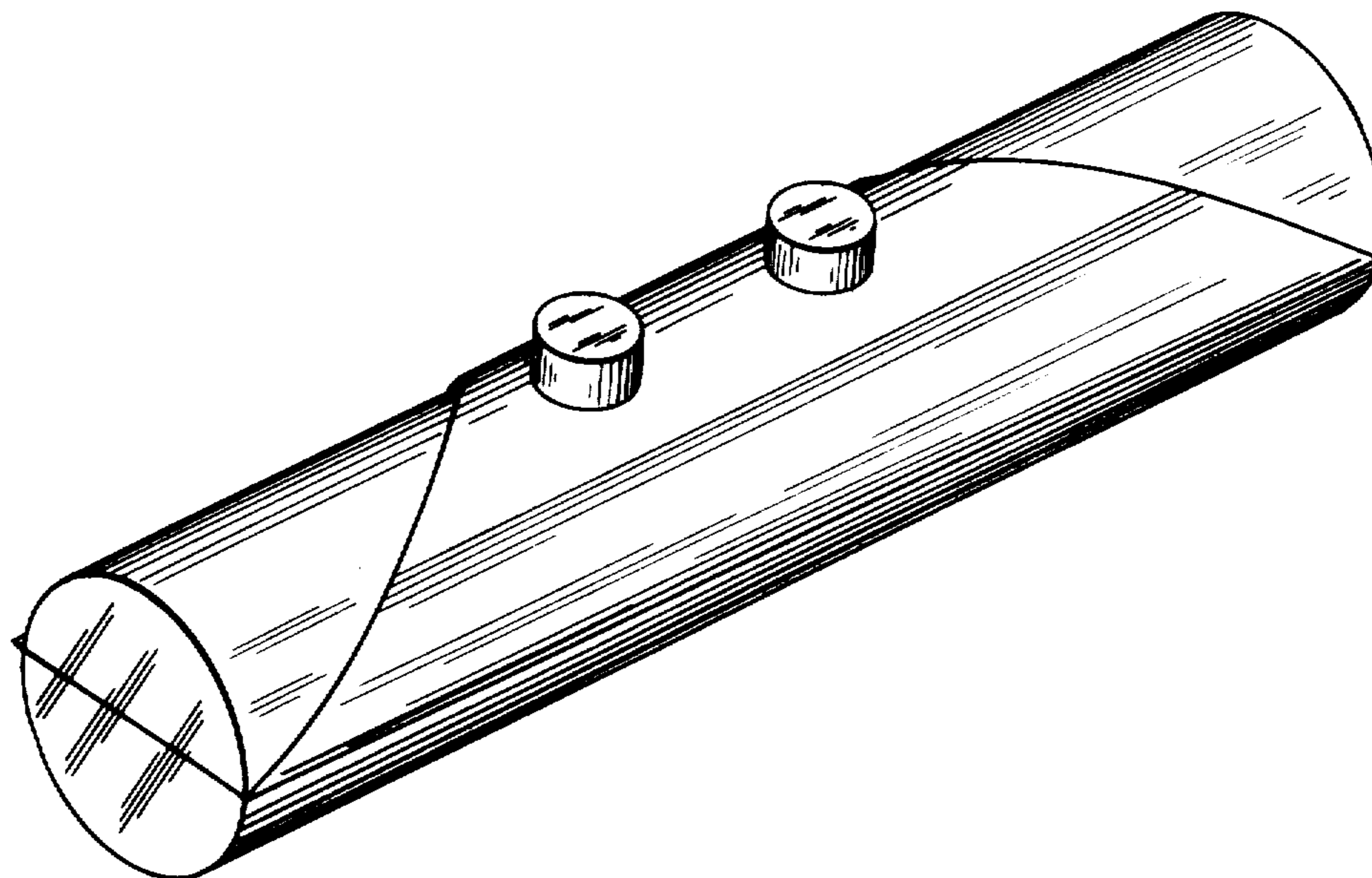
CLAIM

[57]

The ornamental design for a coin holder, as shown and described.

DESCRIPTION

FIG. 1 is a top plan view of a coin holder showing my new design;
FIG. 2 is a bottom plan view thereof;
FIG. 3 is a front elevational view thereof;
FIG. 4 is a rear elevational view thereof;
FIG. 5 is a left side elevational view thereof;
FIG. 6 is a right side elevational view thereof; and
FIG. 7 is a perspective view thereof shown on an enlarged scale and in a closed condition.



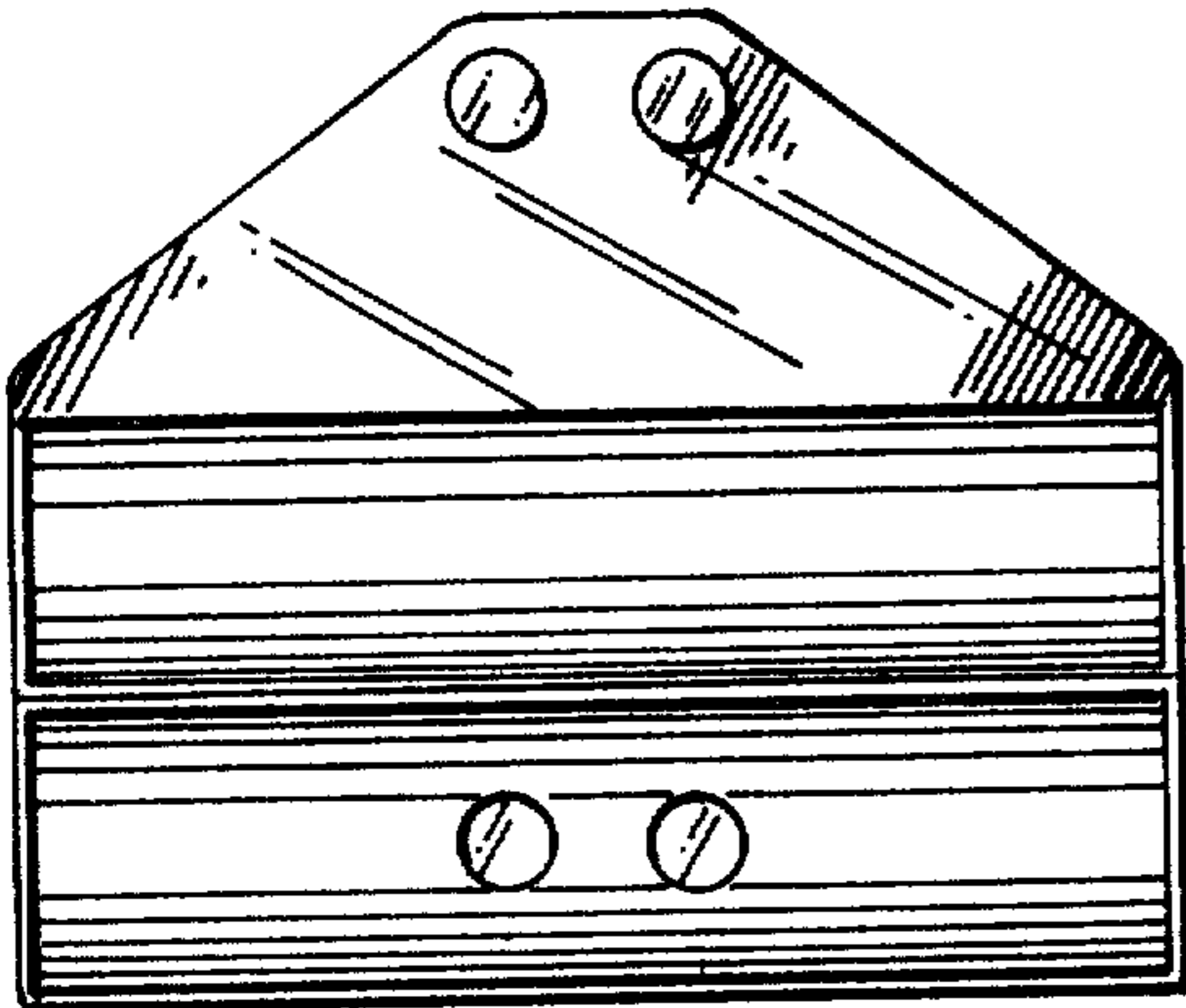


FIG. 1

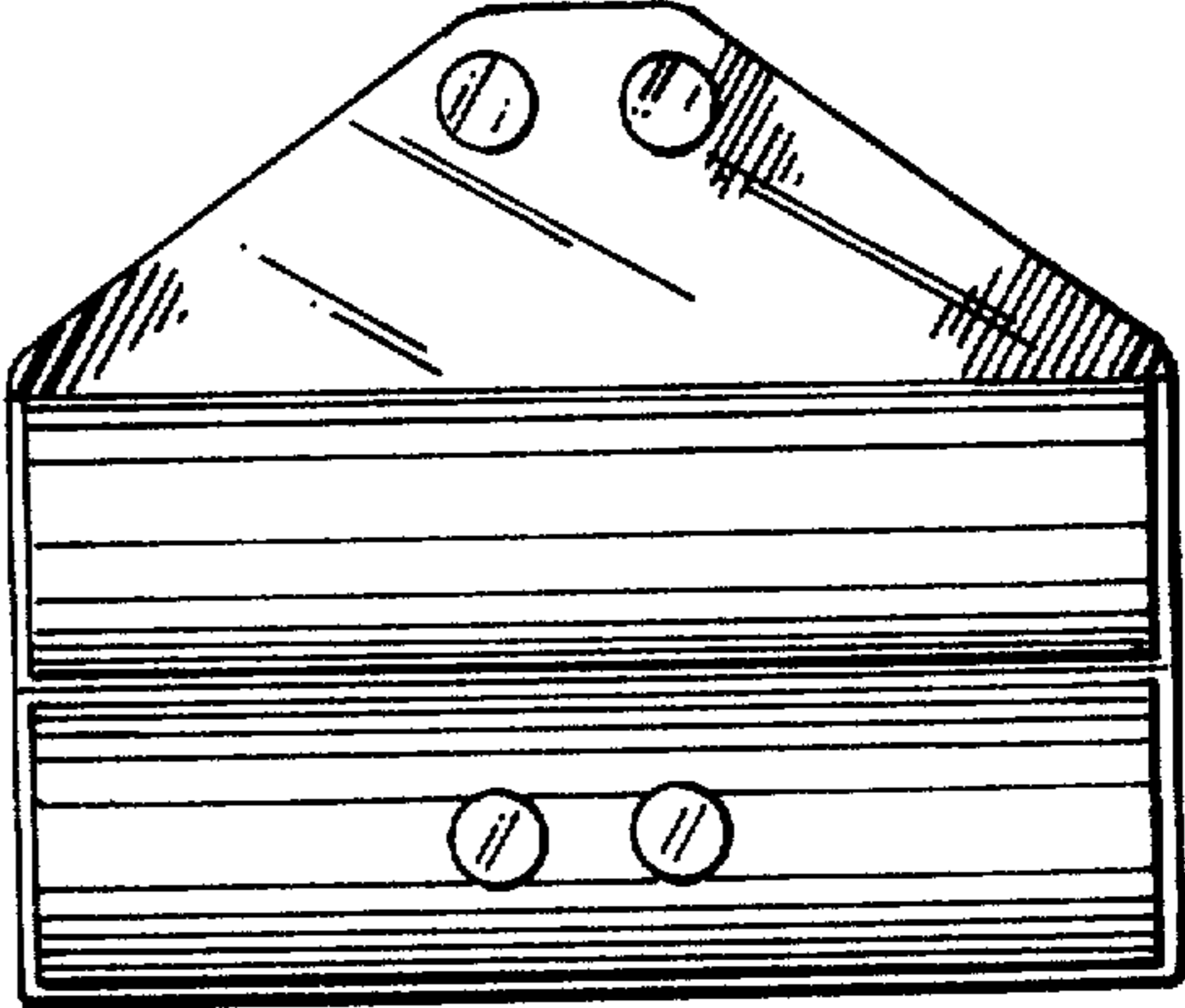


FIG. 2

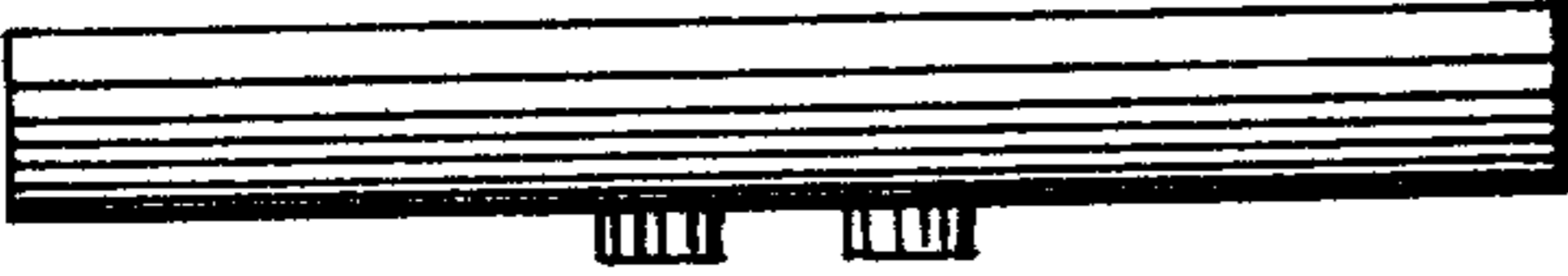


FIG. 3

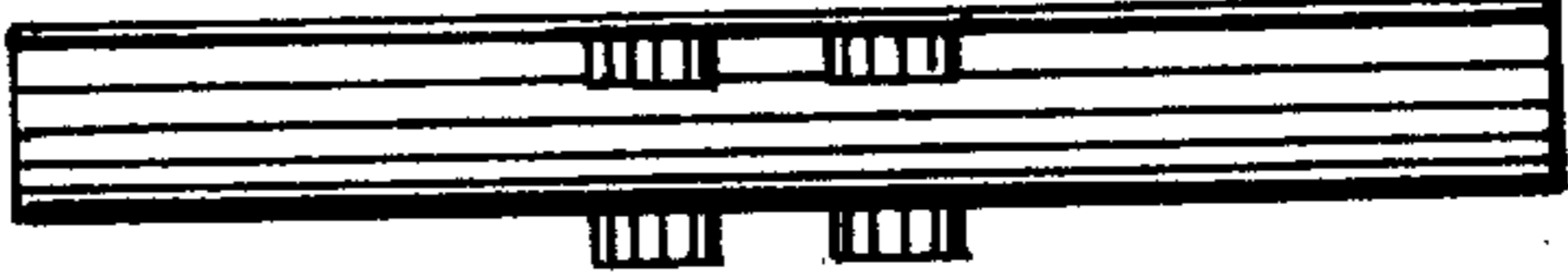


FIG. 4



FIG. 5



FIG. 6

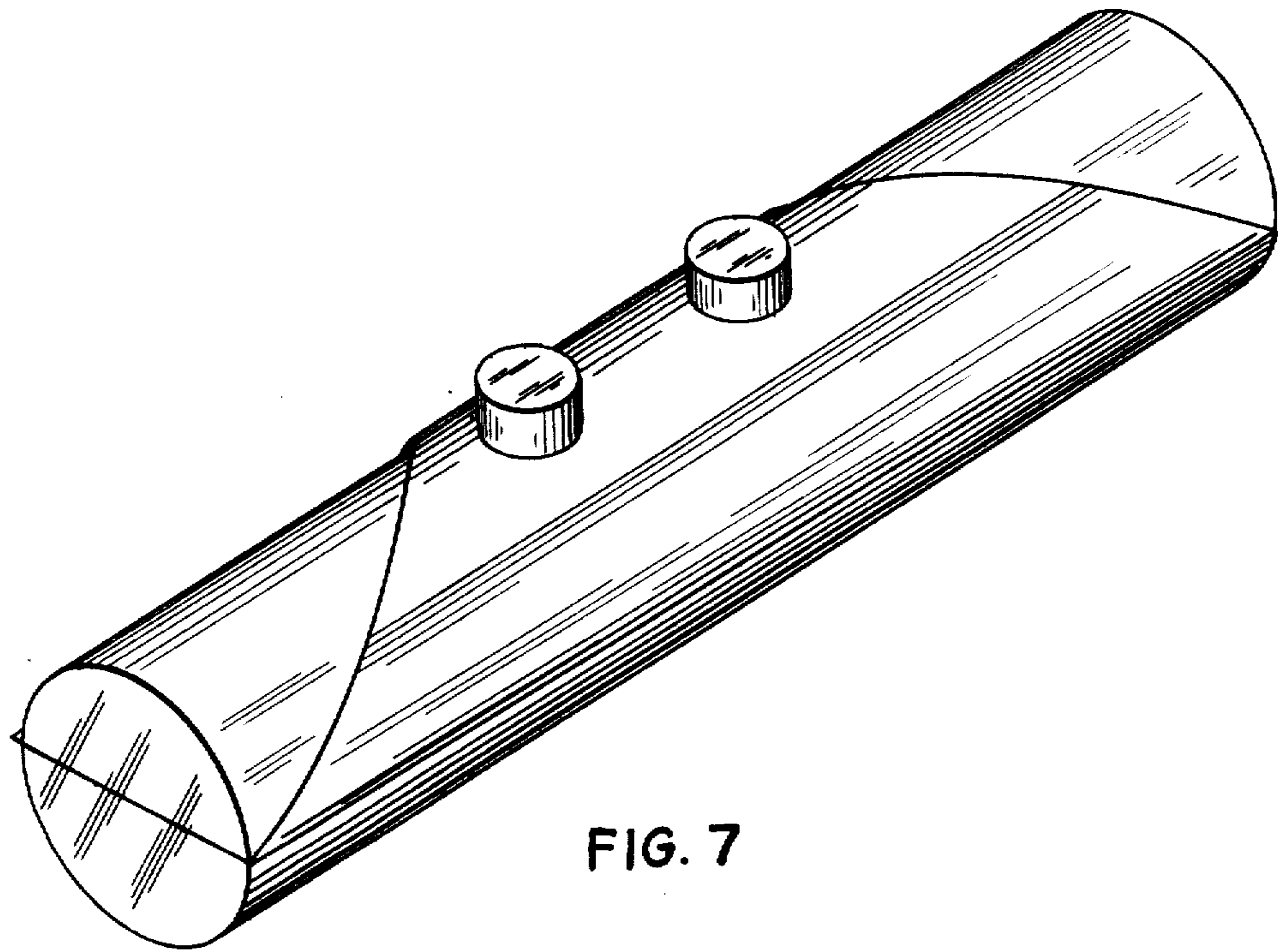


FIG. 7