

[54] **MEDICAL INFUSION PUMP**

[75] Inventor: **Mikio Kosako**, Osaka, Japan

[73] Assignee: **Sharp Corporation**, Osaka, Japan

[**] Term: **14 Years**

[21] Appl. No.: **192,536**

[22] Filed: **Sep. 30, 1980**

[30] **Foreign Application Priority Data**

Apr. 18, 1980 [JP] Japan 15454

[51] Int. Cl. **D24-02**

[52] U.S. Cl. **D24/08**

[58] Field of Search **D24/8; 128/214 E, DIG. 13,
128/214 F, DIG. 12**

[56] **References Cited**

U.S. PATENT DOCUMENTS

D. 222,956 2/1972 Sato D24/08

D. 222,957 2/1972 Sato D24/08

D. 251,067 2/1979 Zissimopoulos D24/08

D. 255,147 5/1980 Jess D24/17 X

3,901,231 8/1975 Olson 128/DIG. 13

3,989,913 11/1976 Lundquist 128/214 E

Primary Examiner—Bernard Ansher

Attorney, Agent, or Firm—Flehr, Hohbach, Test,
Albritton & Herbert

[57] **CLAIM**

The ornamental design for a medical infusion pump, as shown and described.

DESCRIPTION

FIG. 1 is a perspective view of the medical infusion pump showing my new design;

FIG. 2 is a front elevational view thereof;

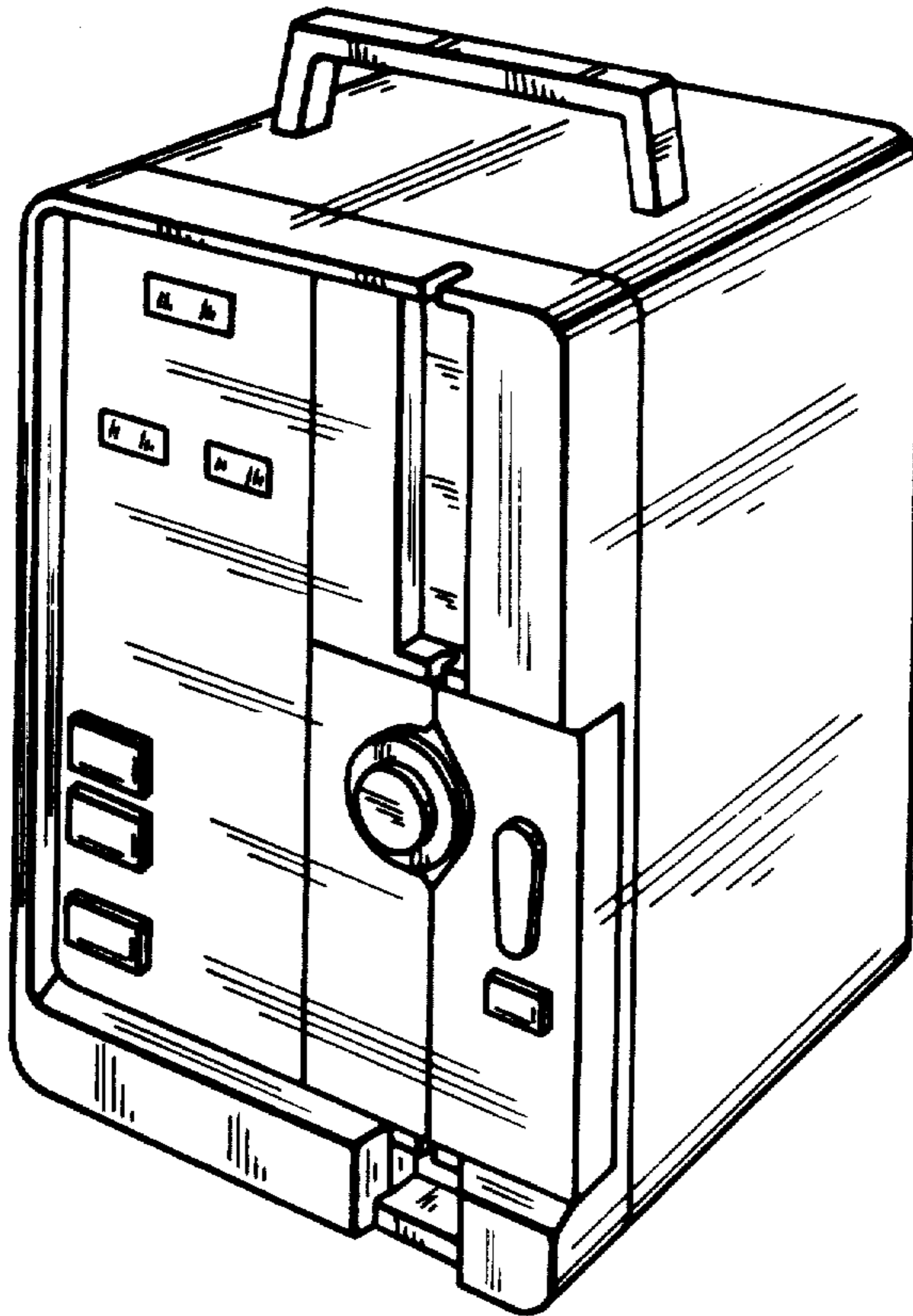
FIG. 3 is a rear elevational view thereof;

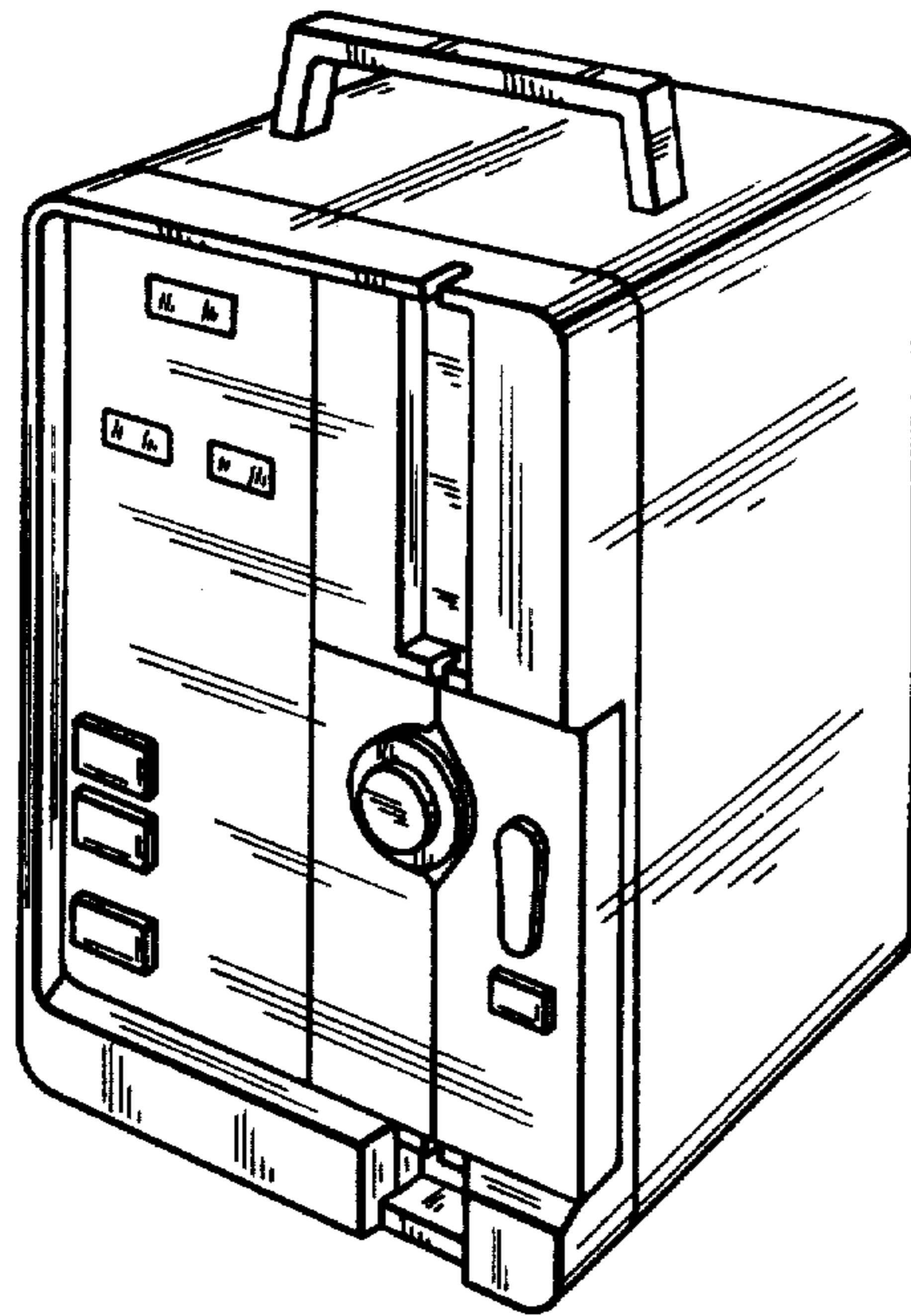
FIG. 4 is a top plan view thereof;

FIG. 5 is a bottom plan view thereof;

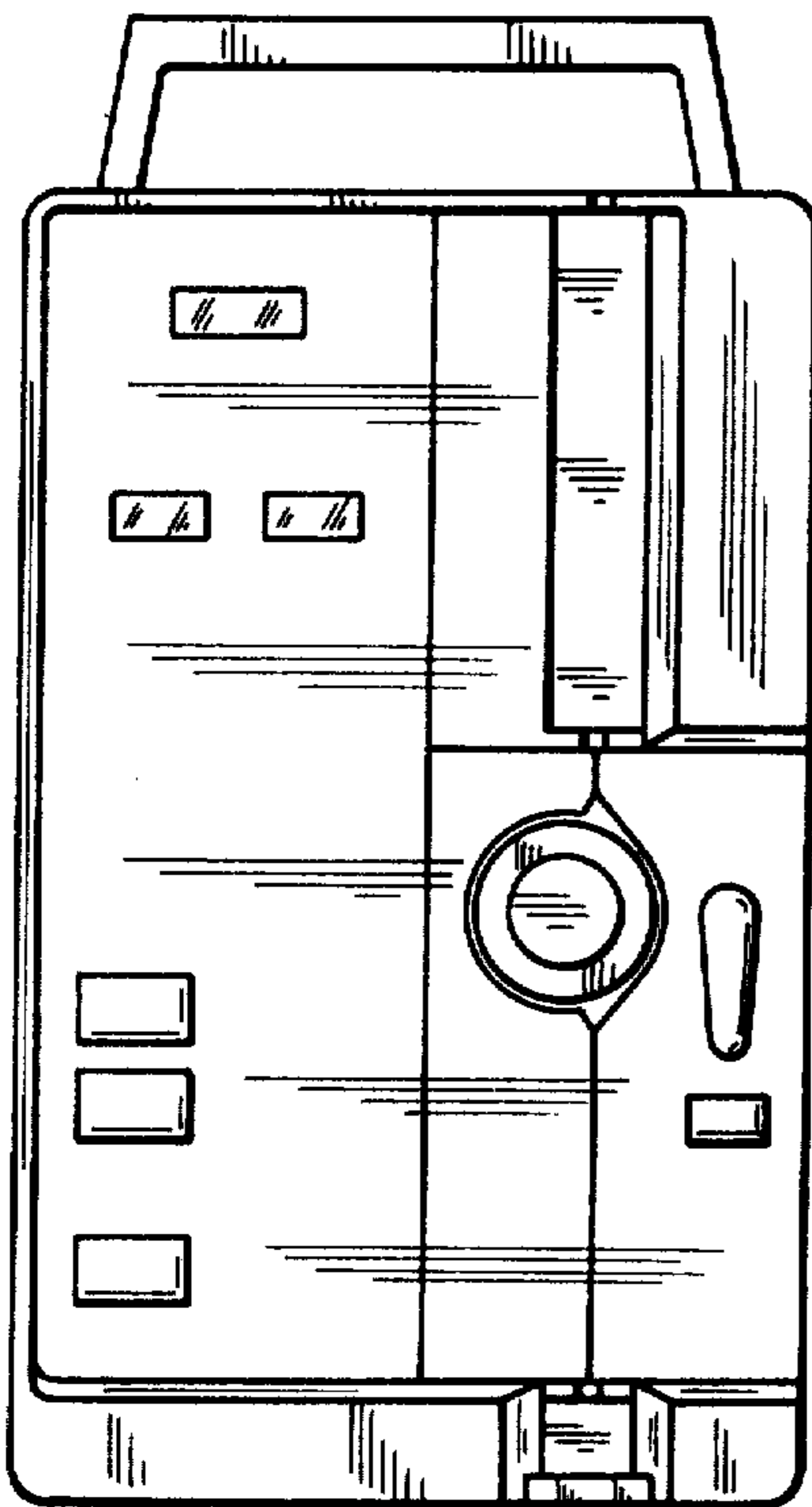
FIG. 6 is a right side elevational view thereof; and

FIG. 7 is a left side elevational view thereof.

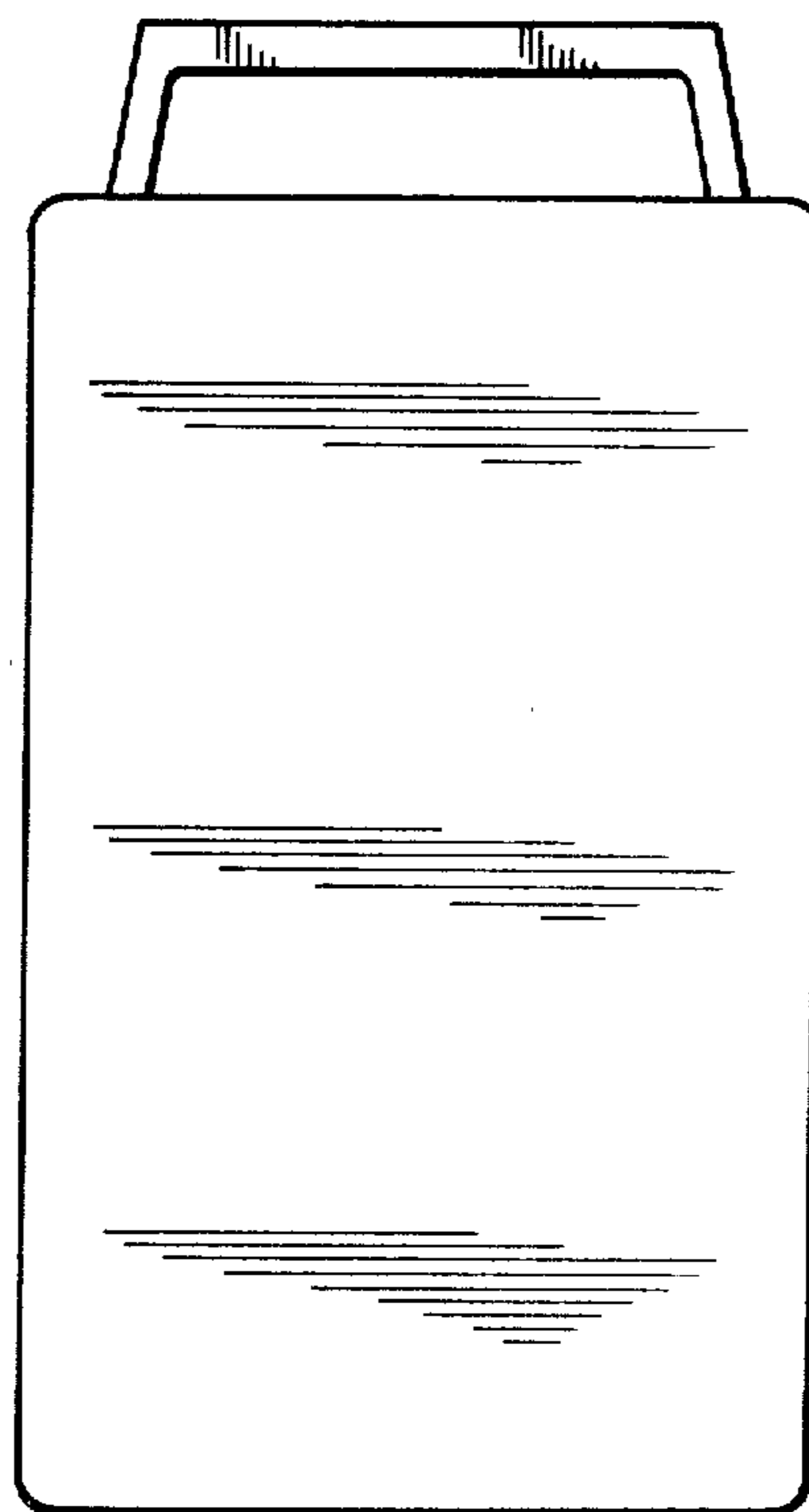




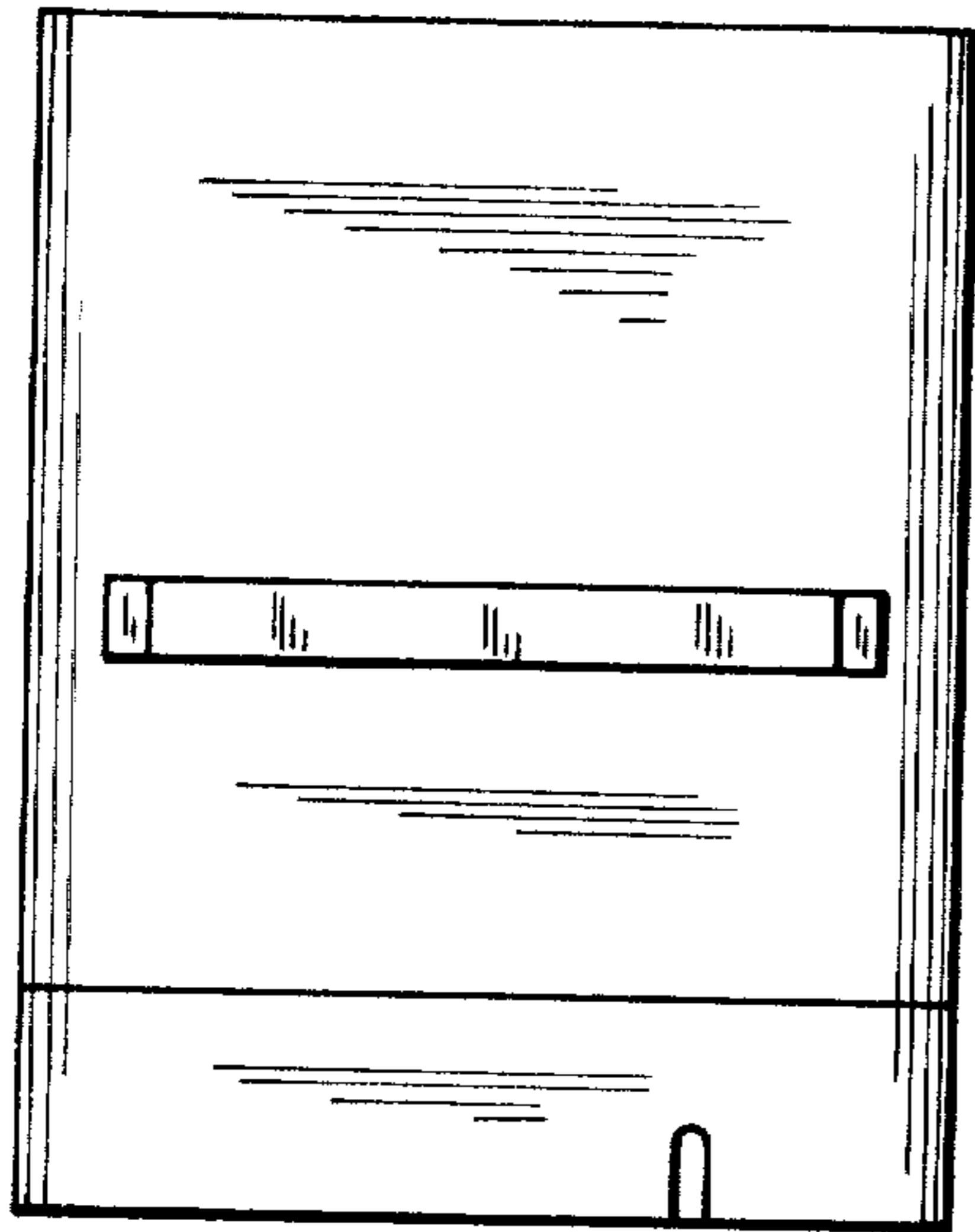
FIG_1



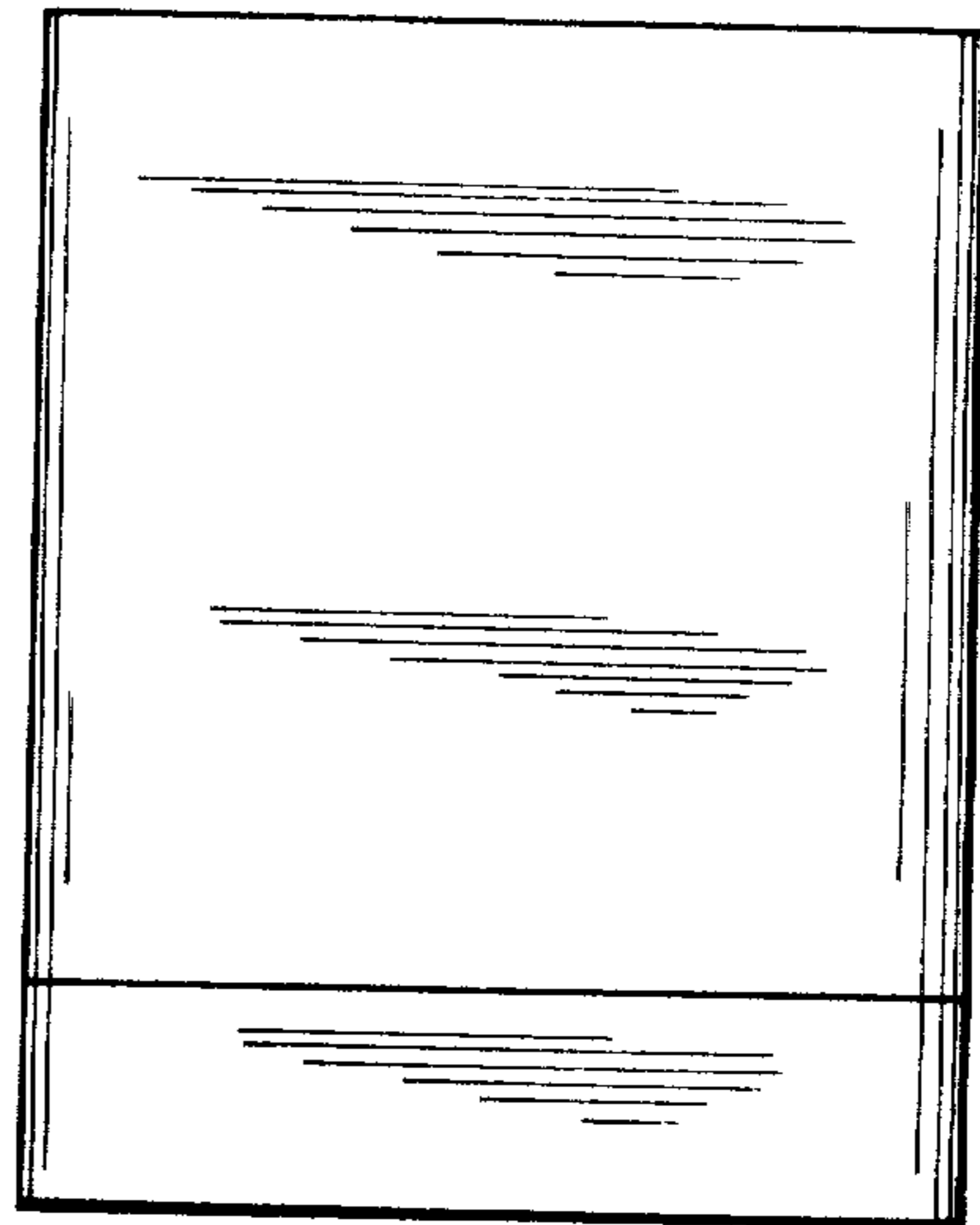
FIG_2



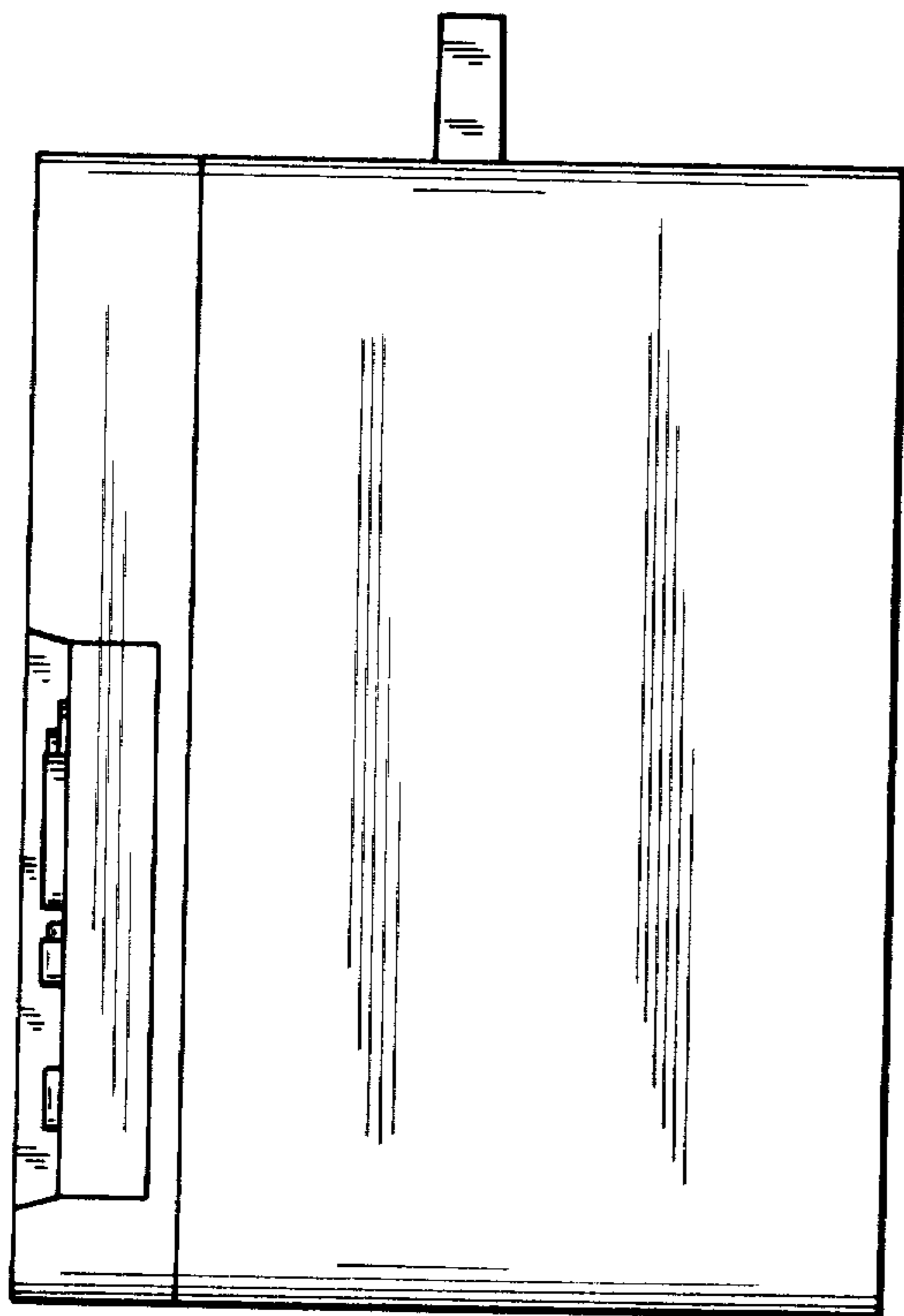
FIG_3



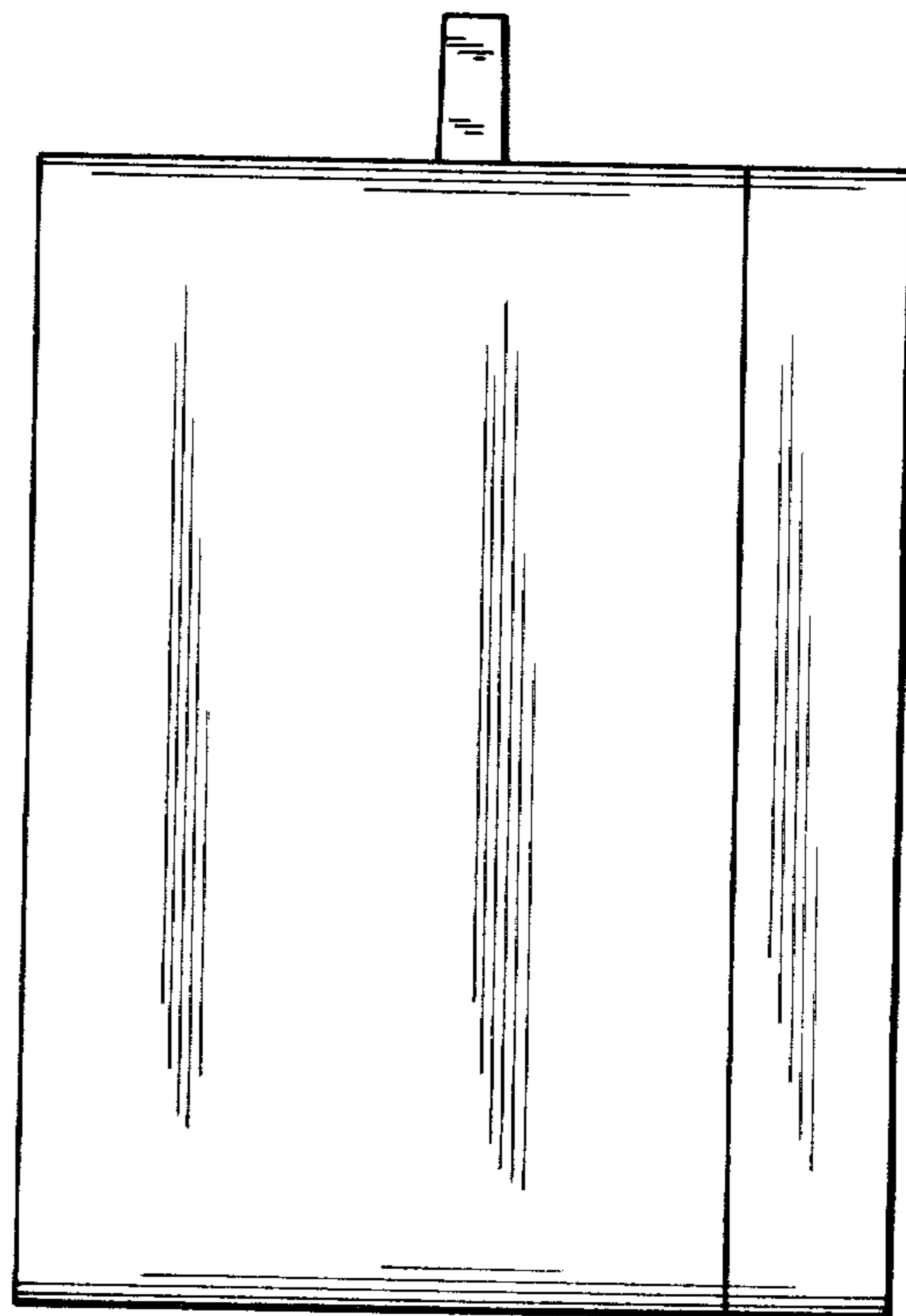
FIG_4



FIG_5



FIG_6



FIG_7