

[54] **SHOWER HEAD**

[76] Inventor: **Lewis L. Smith**, 171 Shadywood La.,
Elk Grove Village, Ill. 60007

[**] Term: **14 Years**

[21] Appl. No.: **270,379**

[22] Filed: **Jun. 4, 1981**

[51] Int. Cl. **D23-01**

[52] U.S. Cl. **D23/35**

[58] Field of Search **D23/34-38;**
239/282, 283, 310, 318, 380-383, 443-449, 499,
525, 529, 548, 551, 552, 556, 558-560, 563, 564,
567, 568, 581-583, 586-588, 590.3, 590.5

[56] **References Cited**

U.S. PATENT DOCUMENTS

D. 164,822	10/1951	Russell	D23/35
D. 262,396	12/1981	Whedon	D23/35
2,985,385	5/1961	Bowers et al.	239/587 X
3,210,013	10/1965	Symmons	239/587 X
3,547,353	12/1970	Pecka	239/587 X
3,997,116	12/1976	Moen	239/587 X

4,010,899	3/1977	Heitzman	239/447 X
4,013,230	3/1977	Gondek	239/499
4,082,225	4/1978	Haynes	239/499 X
4,131,233	12/1978	Koenig	239/447 X
4,202,501	5/1980	Haynes	239/570

Primary Examiner—James R. Largen
Attorney, Agent, or Firm—Howard H. Darbo

[57] **CLAIM**

The ornamental design for a shower head, as shown and described.

DESCRIPTION

FIG. 1 is a front elevational view of the shower head showing my new design;
FIG. 2 is a left side elevational view thereof, the right side being a mirror image of the left side shown;
FIG. 3 is a rear elevational view thereof;
FIG. 4 is a top view thereof;
FIG. 5 is a bottom view thereof;
FIG. 6 is a perspective view taken from the top and front thereof; and
FIG. 7 is a perspective view taken from the bottom and rear thereof.

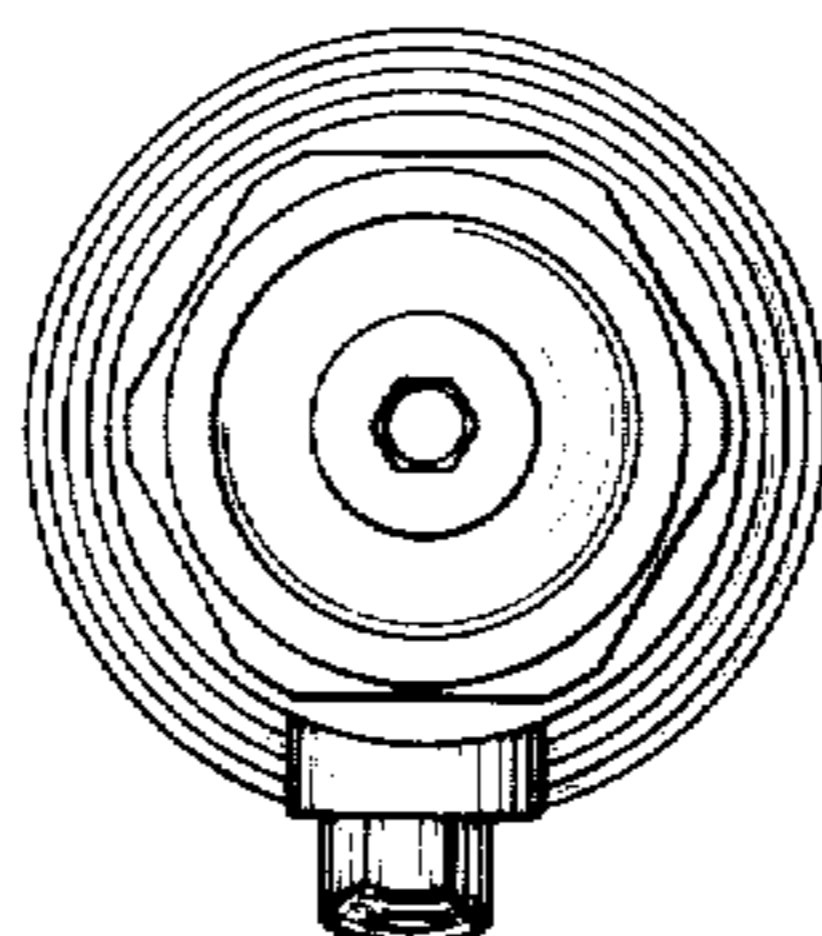
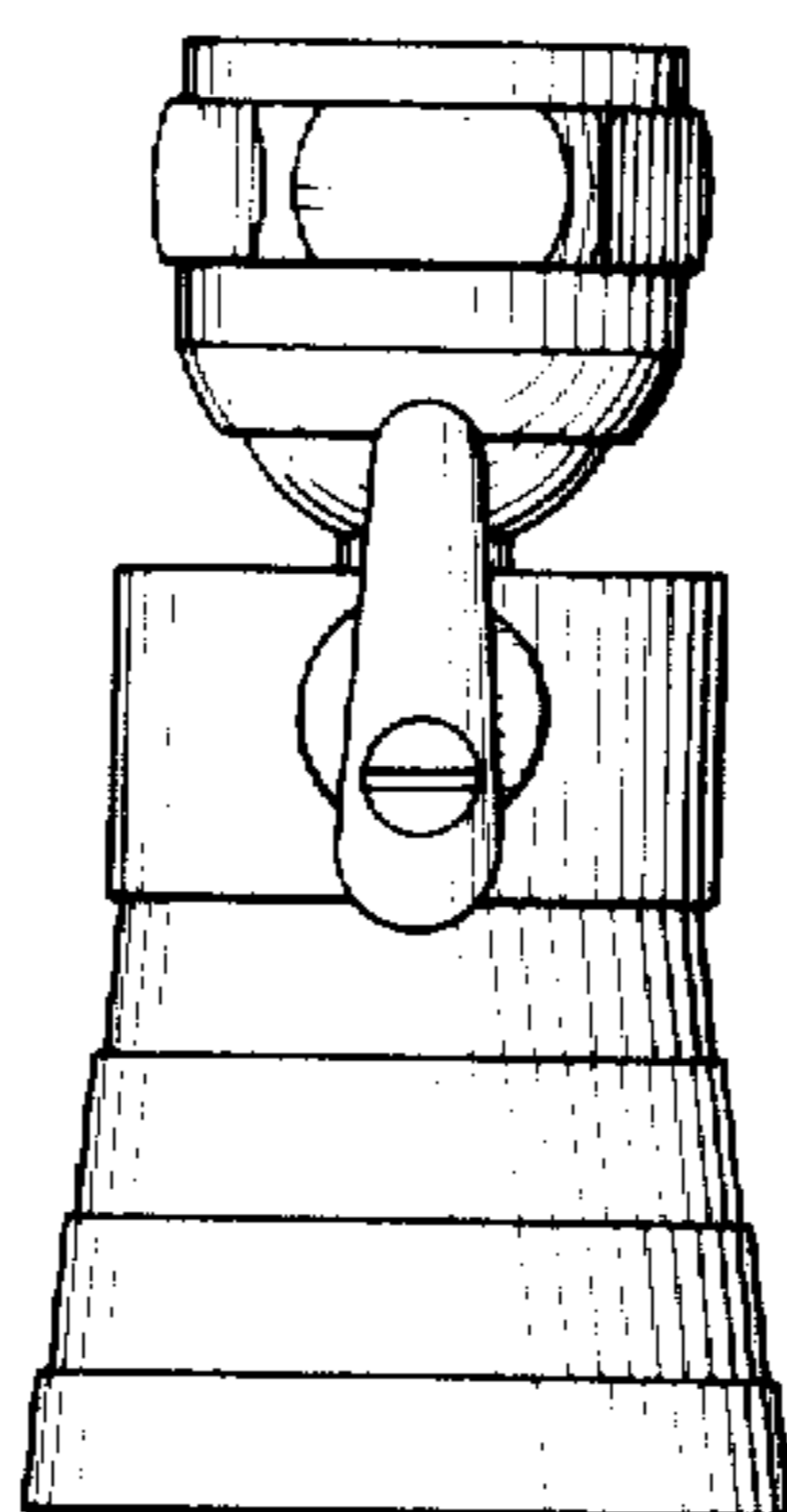


Fig. 1.

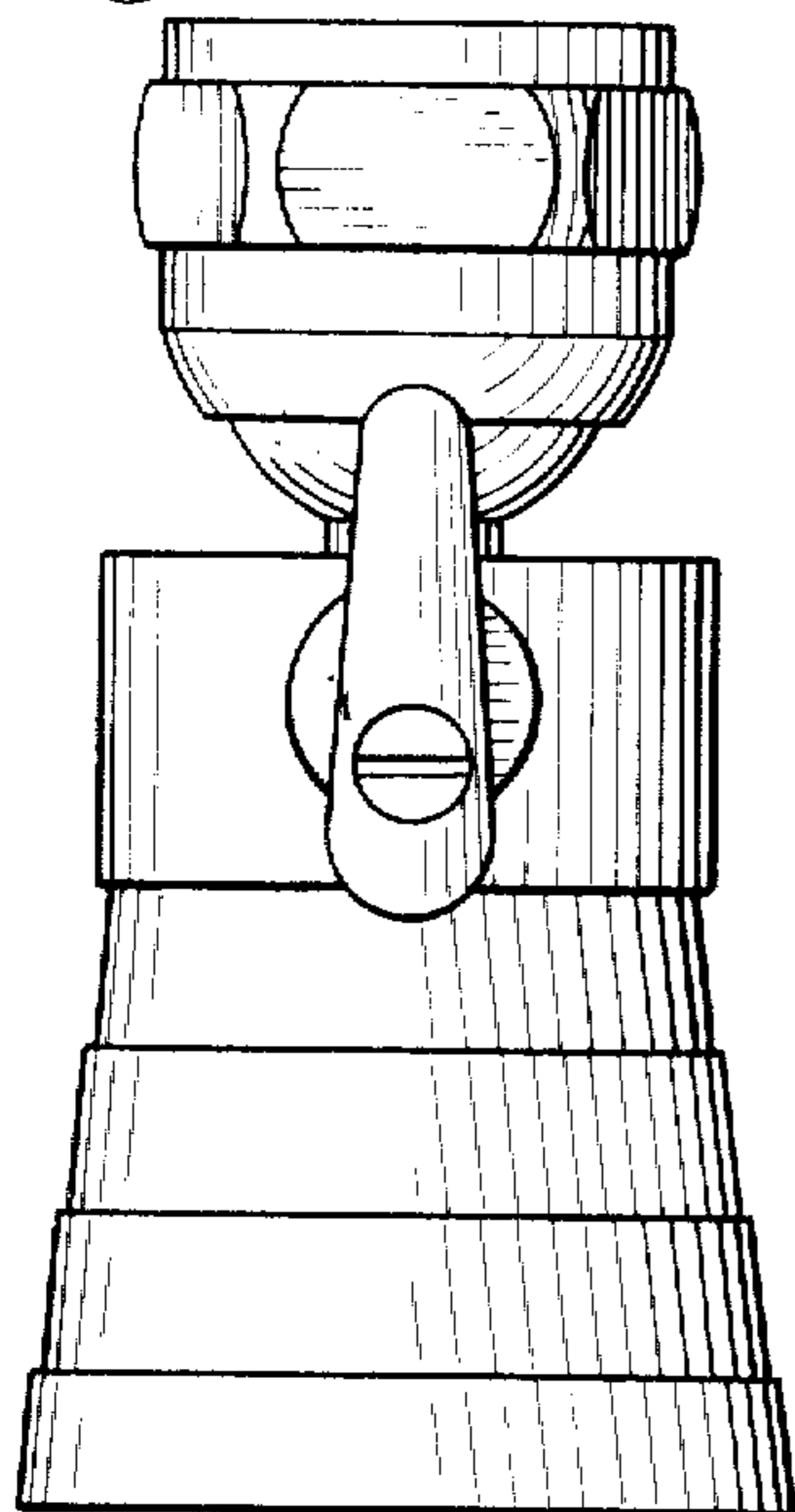


Fig. 2.

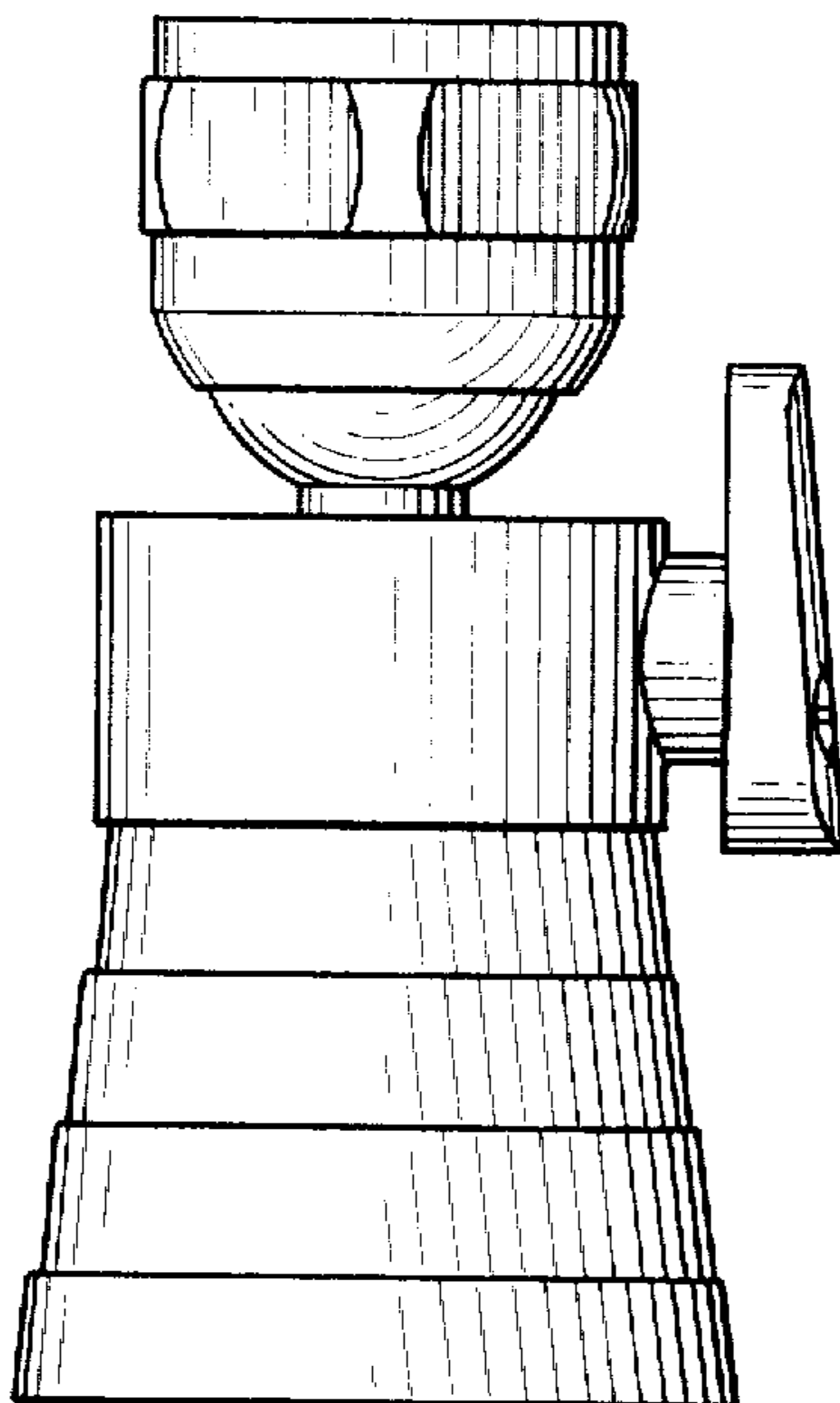


Fig. 3.

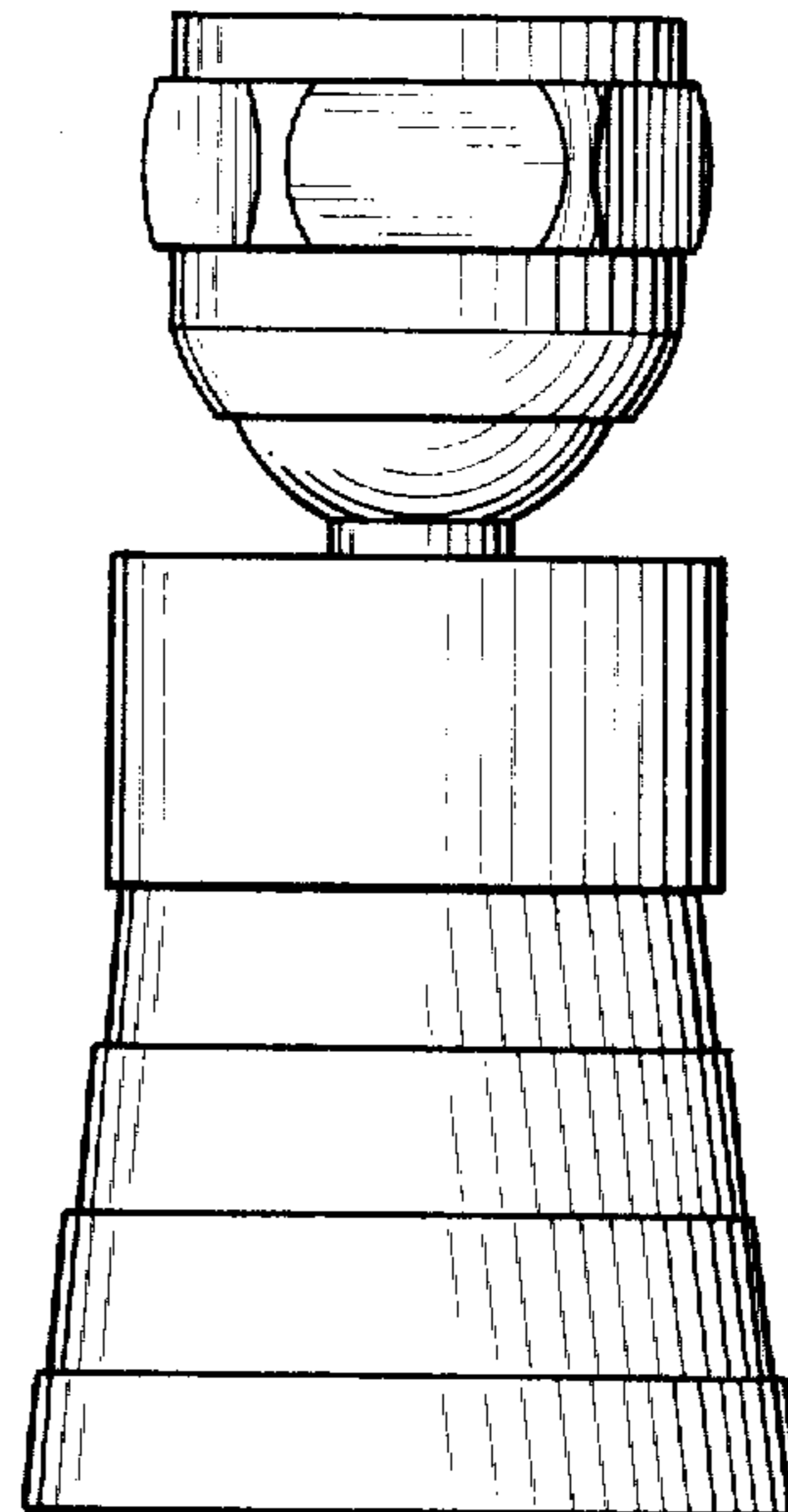


Fig. 4.

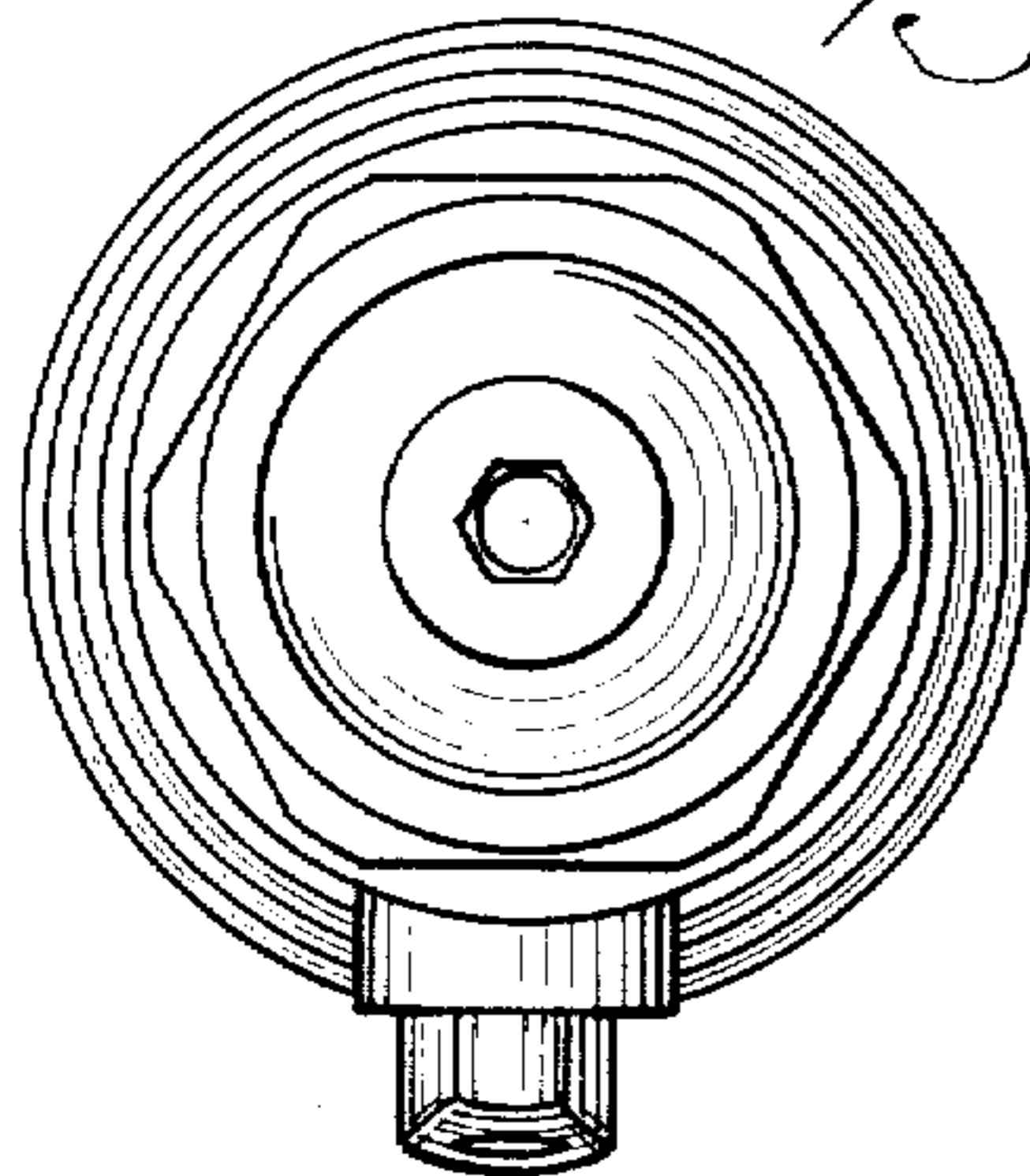


Fig. 6.

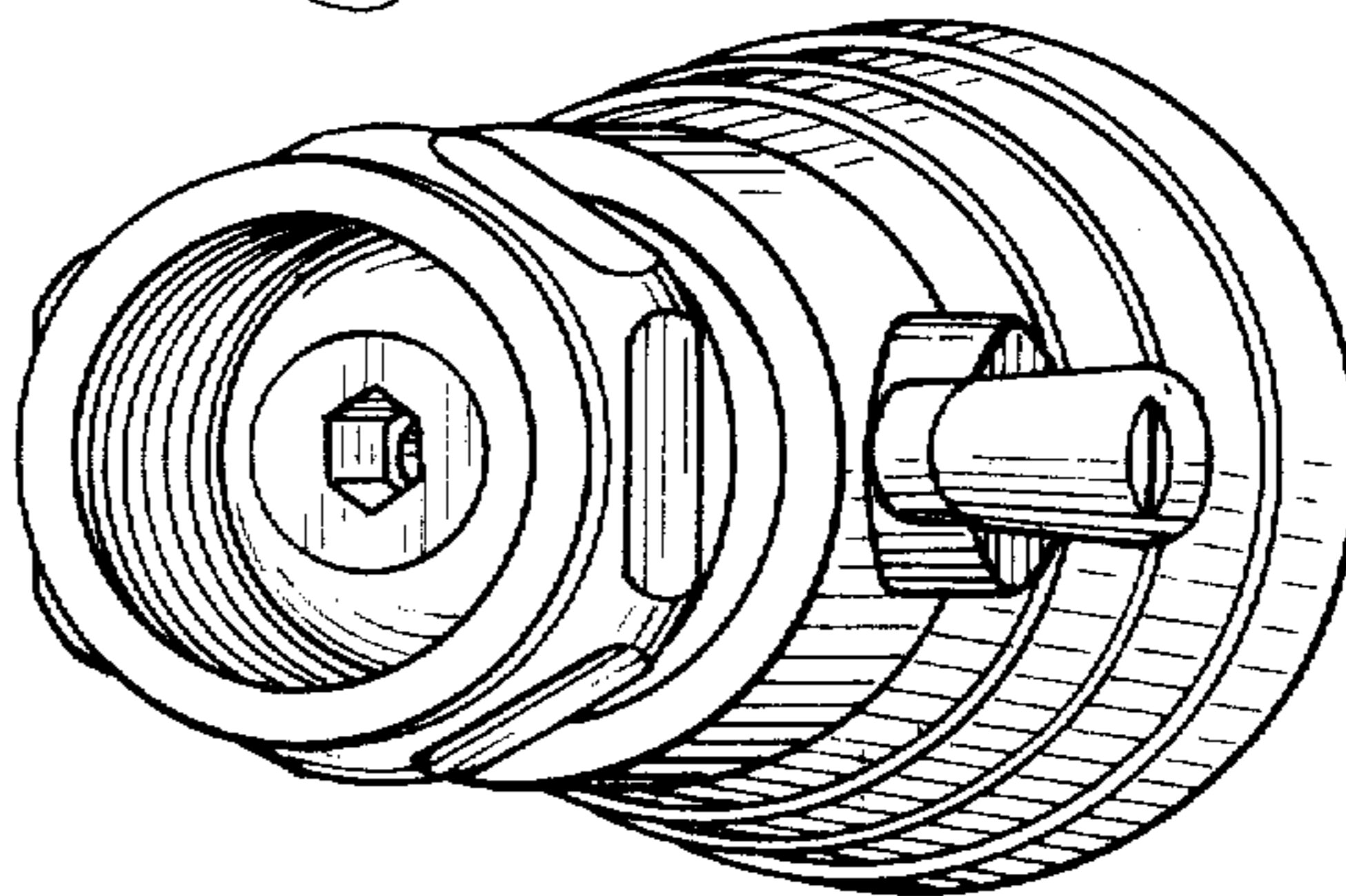


Fig. 5.

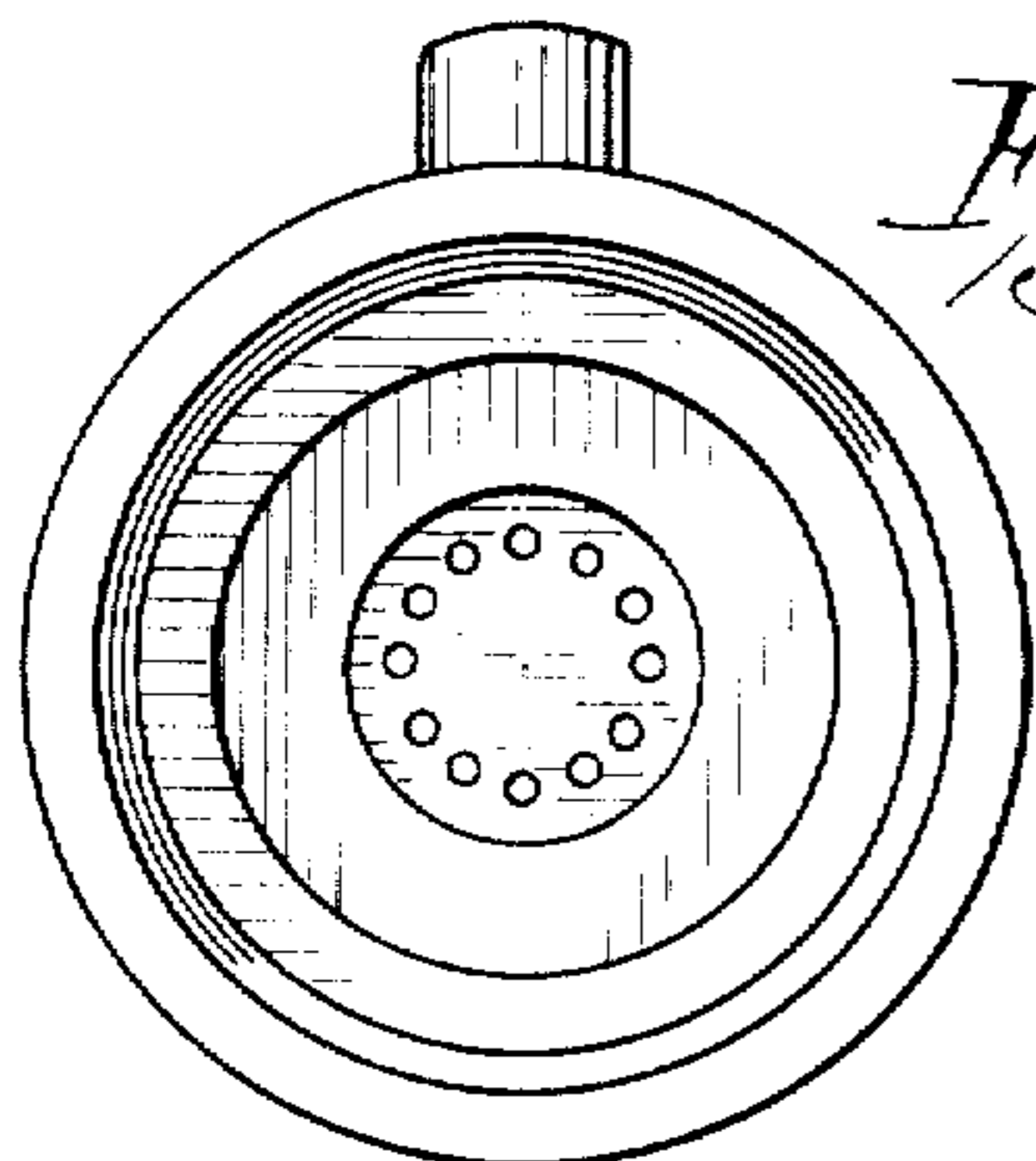


Fig. 7.

