

[54] **SPRAYER NOZZLE OR SIMILAR ARTICLE**

[75] **Inventors:** **Walter H. Wesner**, Plantation;
Richard P. Garneau, Davie; **John F. Barrett**, Miami; **Anthony Licari**,
Cooper City, all of Fla.

[73] **Assignee:** **AFA Consolidated Corporation**,
Hialeah, Fla.

[**] **Term:** **14 Years**

[21] **Appl. No.:** **174,092**

[22] **Filed:** **Jul. 31, 1980**

[51] **Int. Cl.** **D23—01**

[52] **U.S. Cl.** **D23/34**

[58] **Field of Search** **D23/17, 18, 34—37;**
239/333, 589

[56] **References Cited**

U.S. PATENT DOCUMENTS

D. 213,047	12/1968	Steidley	D23/34
D. 218,824	9/1970	Lawfence, Sr.	D23/34
D. 256,976	9/1980	Campbell et al.	D23/17
3,061,202	10/1962	Tyler	239/333

3,120,347	2/1964	Duke, Jr.	239/333 X
4,161,288	7/1979	McKinney	239/333
4,191,313	3/1980	Blake et al.	239/333 X
4,247,048	1/1981	Hayes	239/333 X
4,310,107	1/1982	Wesner	239/214

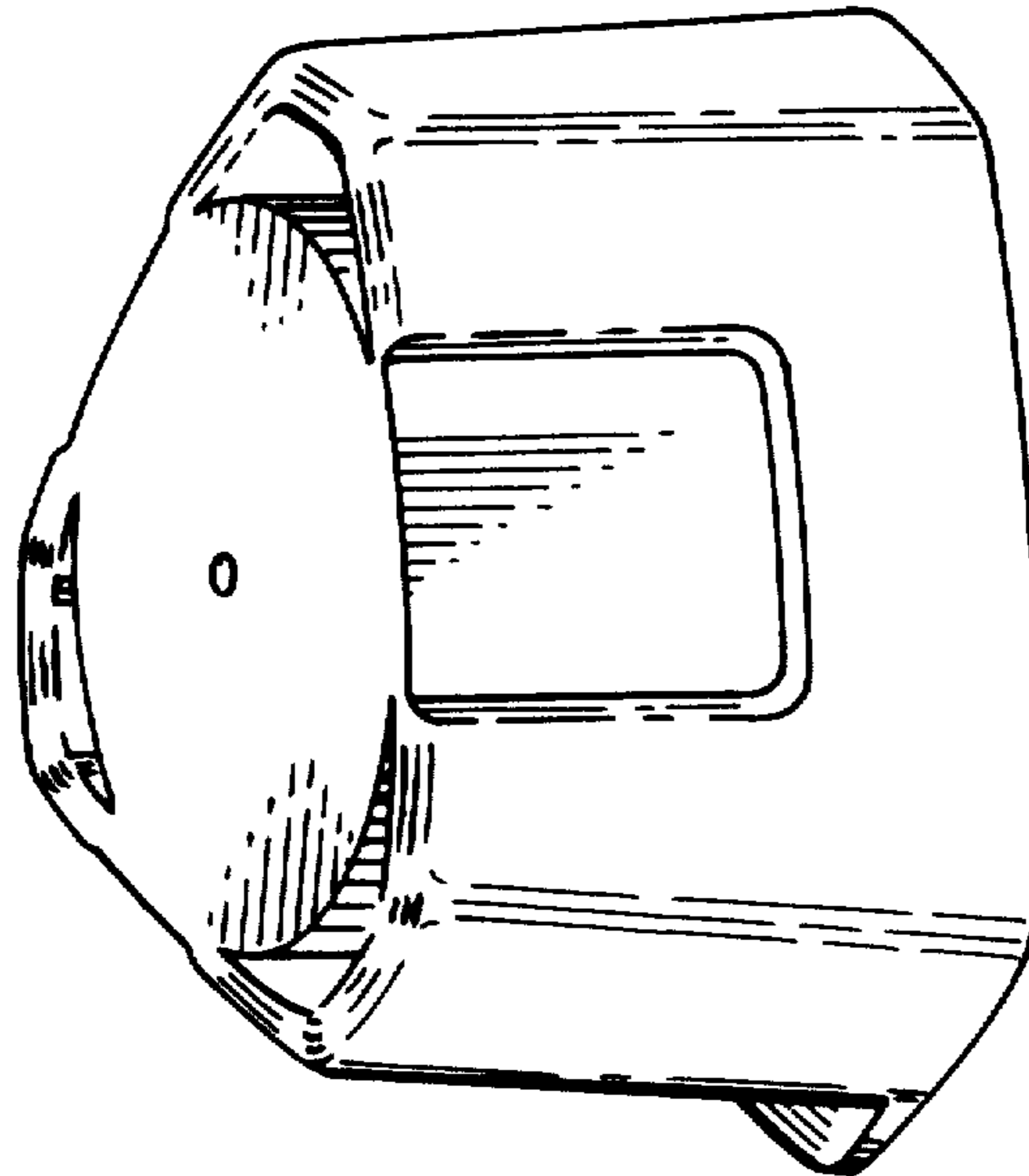
Primary Examiner—James R. Largen
Attorney, Agent, or Firm—Arthur H. Swanson

[57] **CLAIM**

The ornamental design for a sprayer nozzle or similar article, as shown and described.

DESCRIPTION

FIG. 1 is a side elevational view of a sprayer nozzle showing our new design;
FIG. 2 is a front elevational view thereof;
FIG. 3 is a top plan view thereof;
FIG. 4 is a right side elevational view thereof, the left side being a mirror image of the right side shown;
FIG. 5 is a bottom plan view thereof;
FIG. 6 is a rear elevational view thereof; and
FIG. 7 is a perspective view taken from the front, top and right side thereof.
The broken line representation of a sprayer in FIG. 1 is for purposes of illustration only.



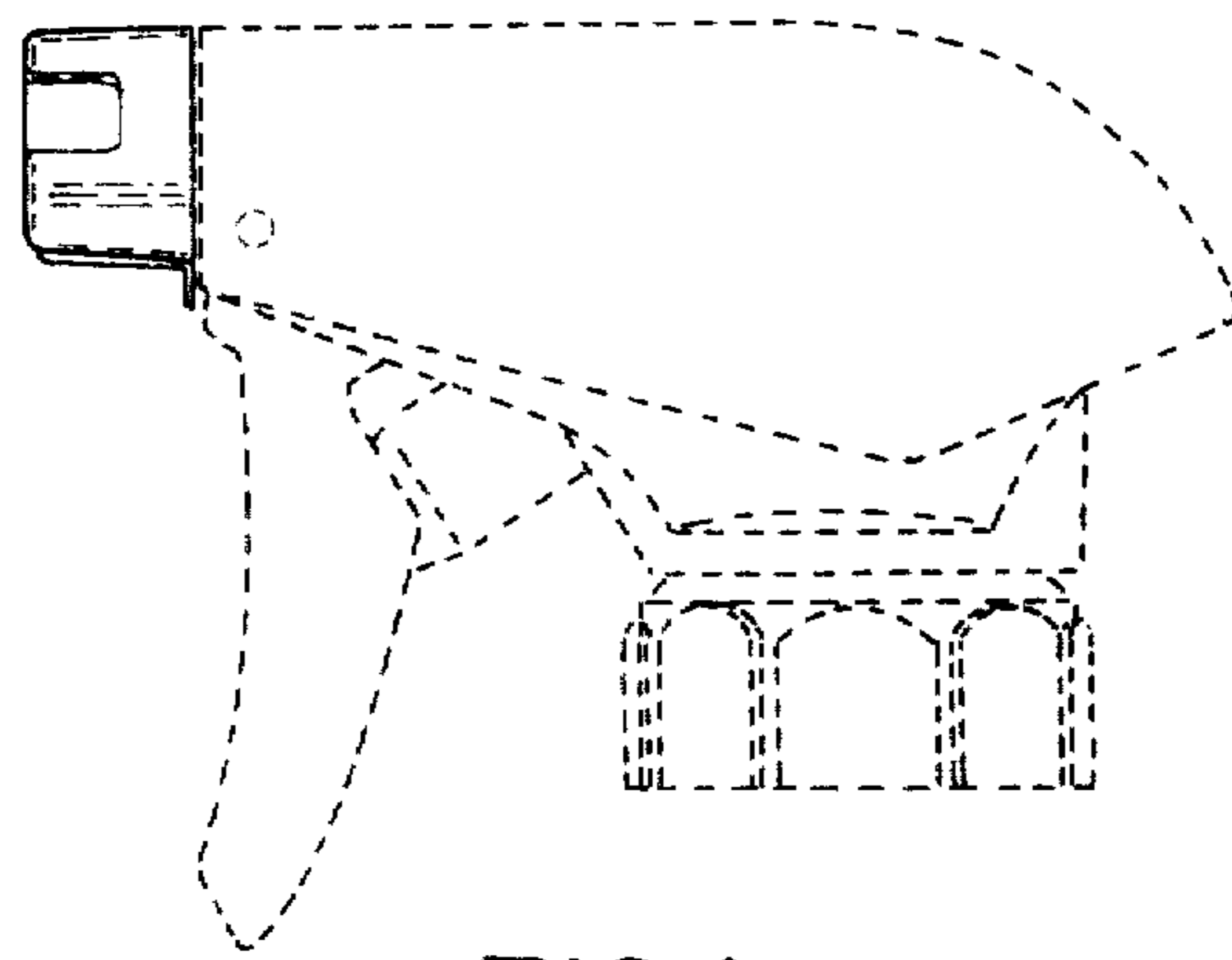


FIG. 1

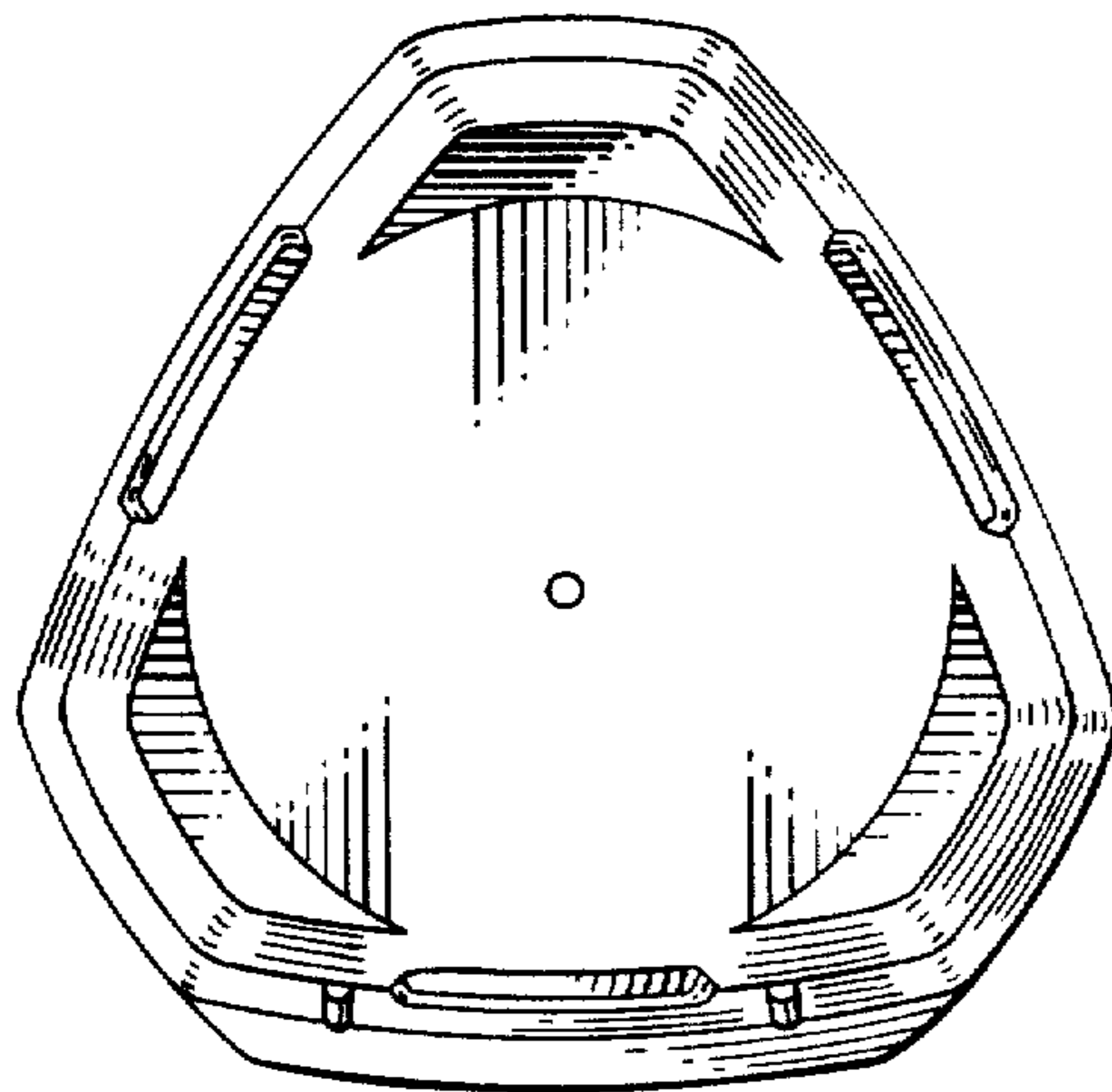


FIG. 2

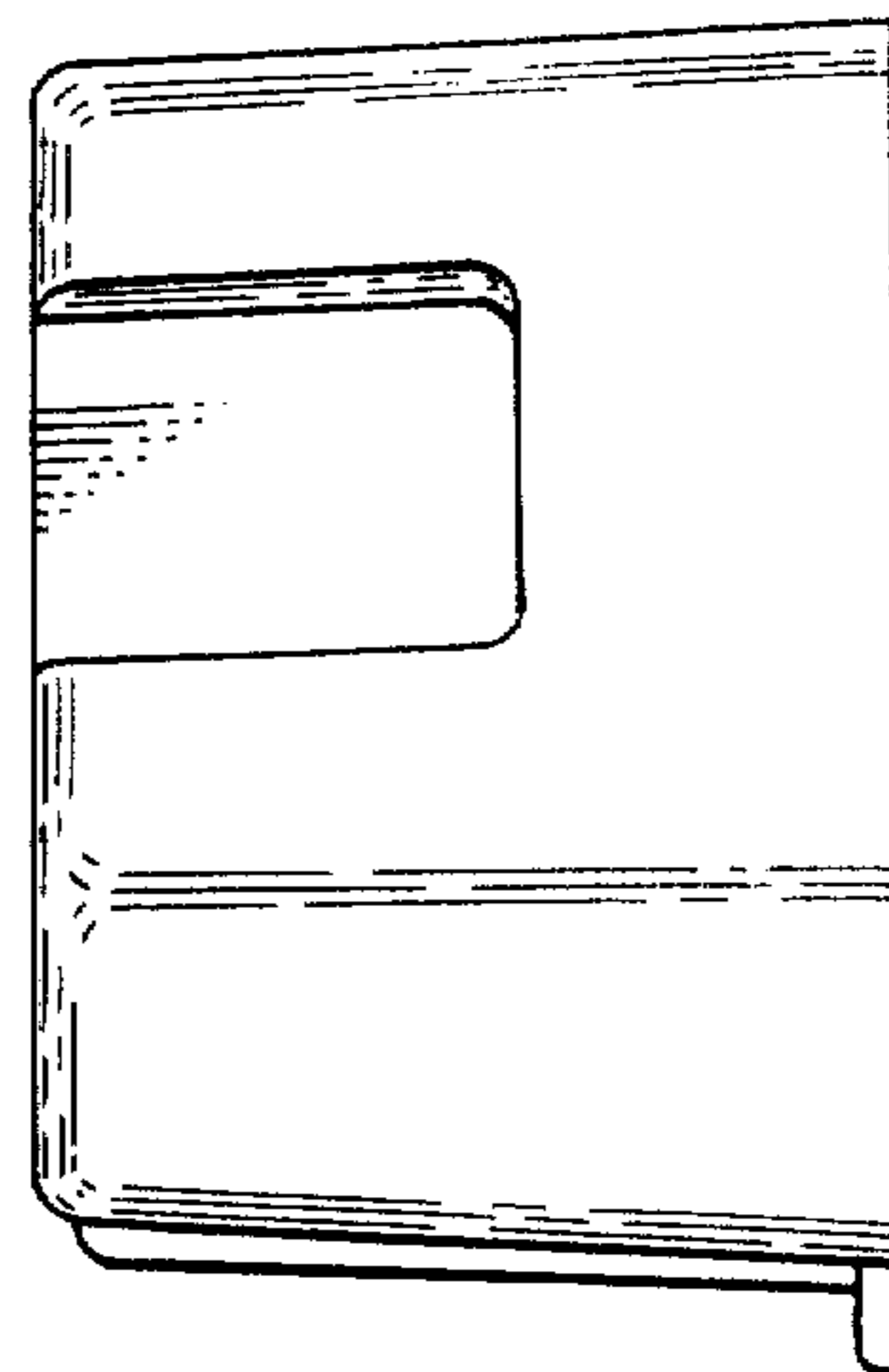


FIG. 4

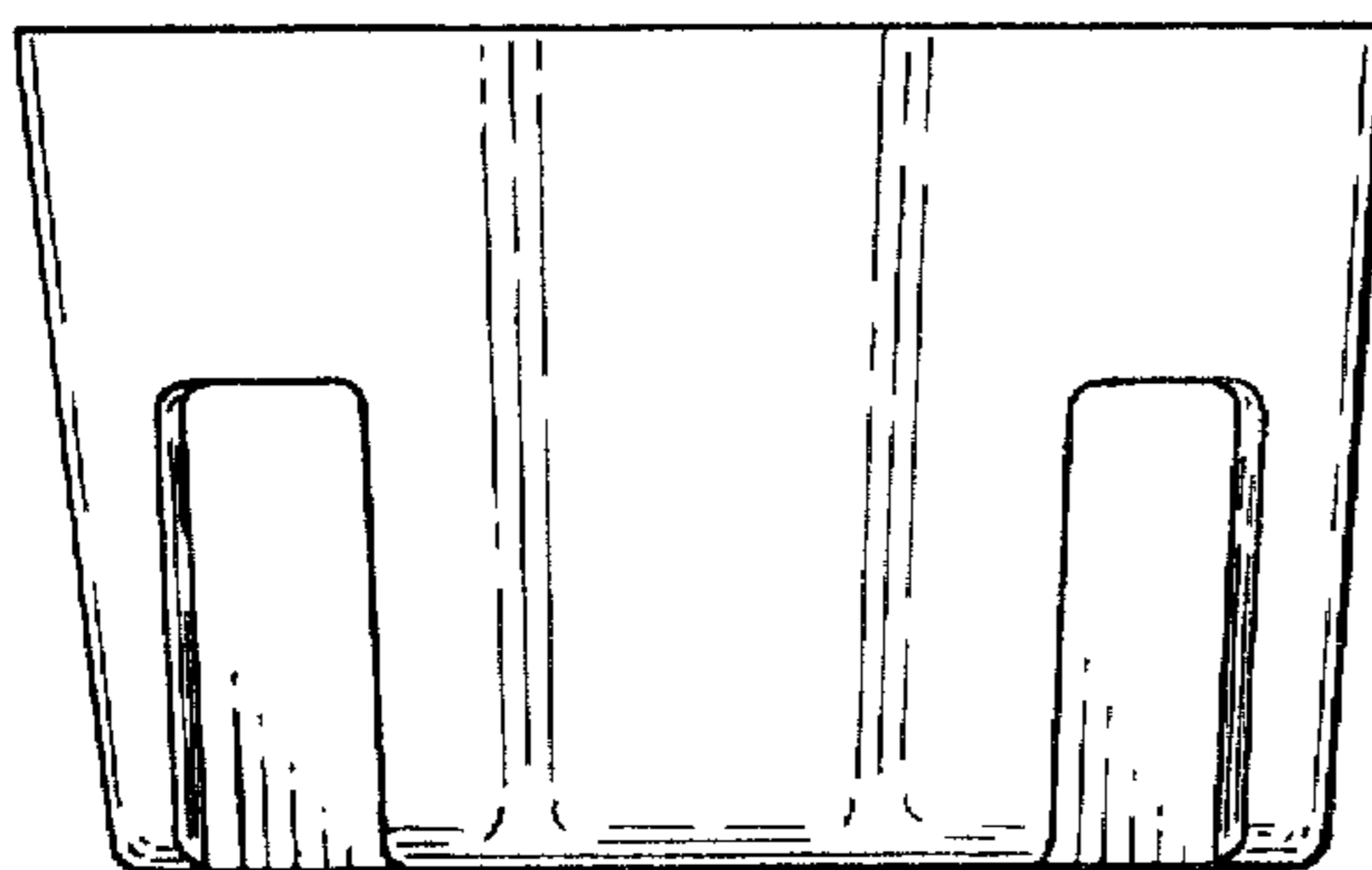


FIG. 3

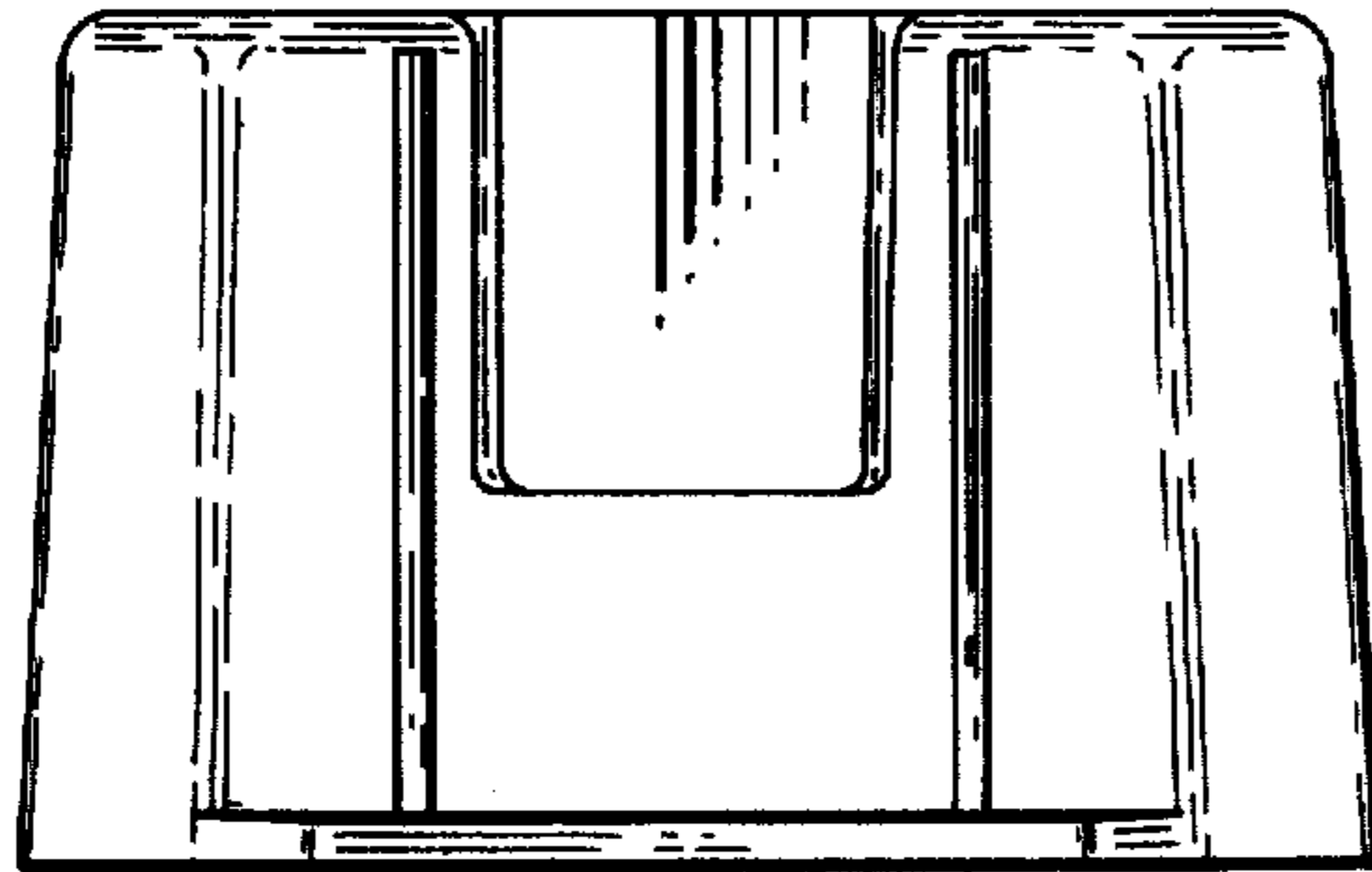


FIG. 5

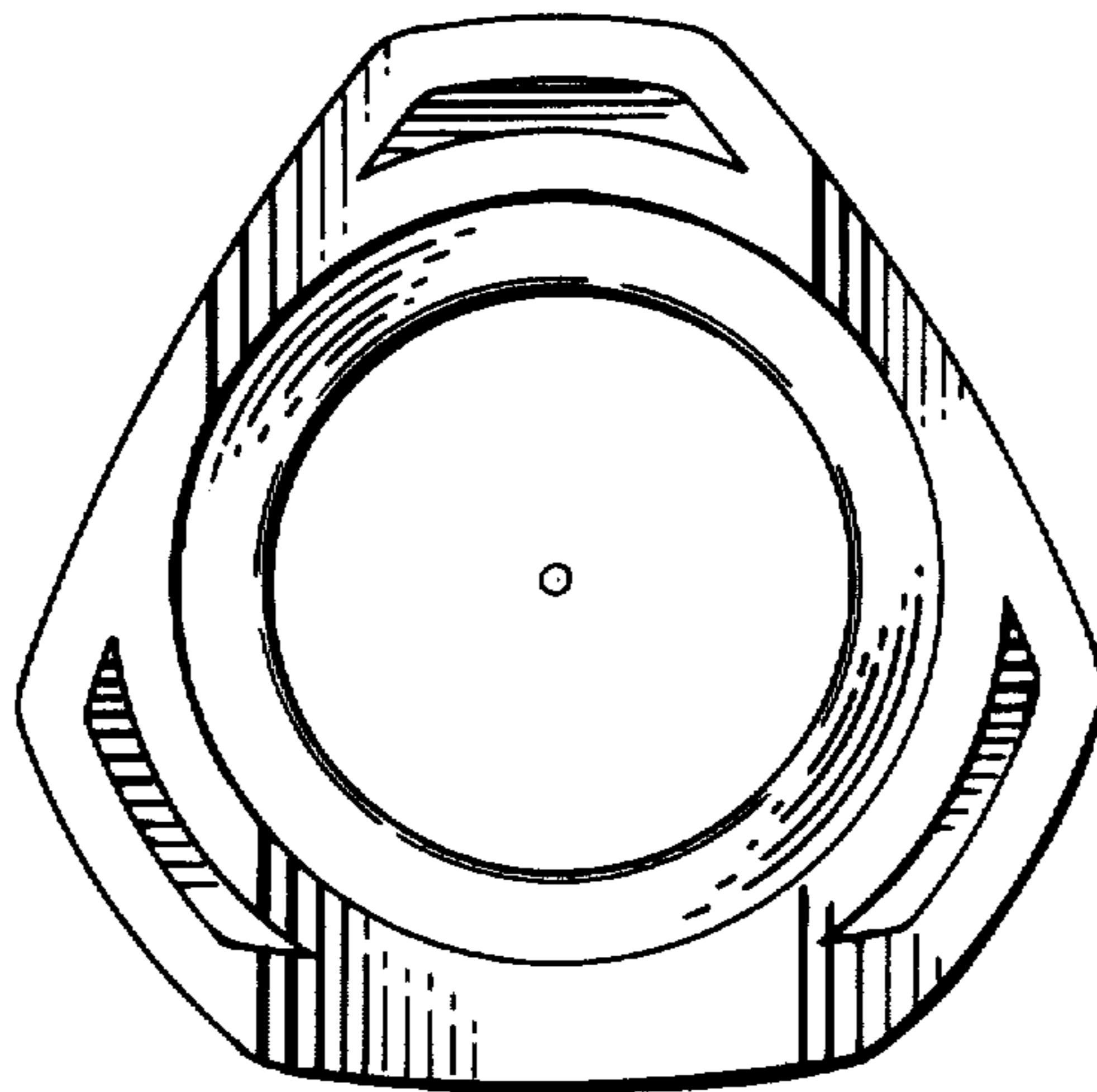


FIG. 6

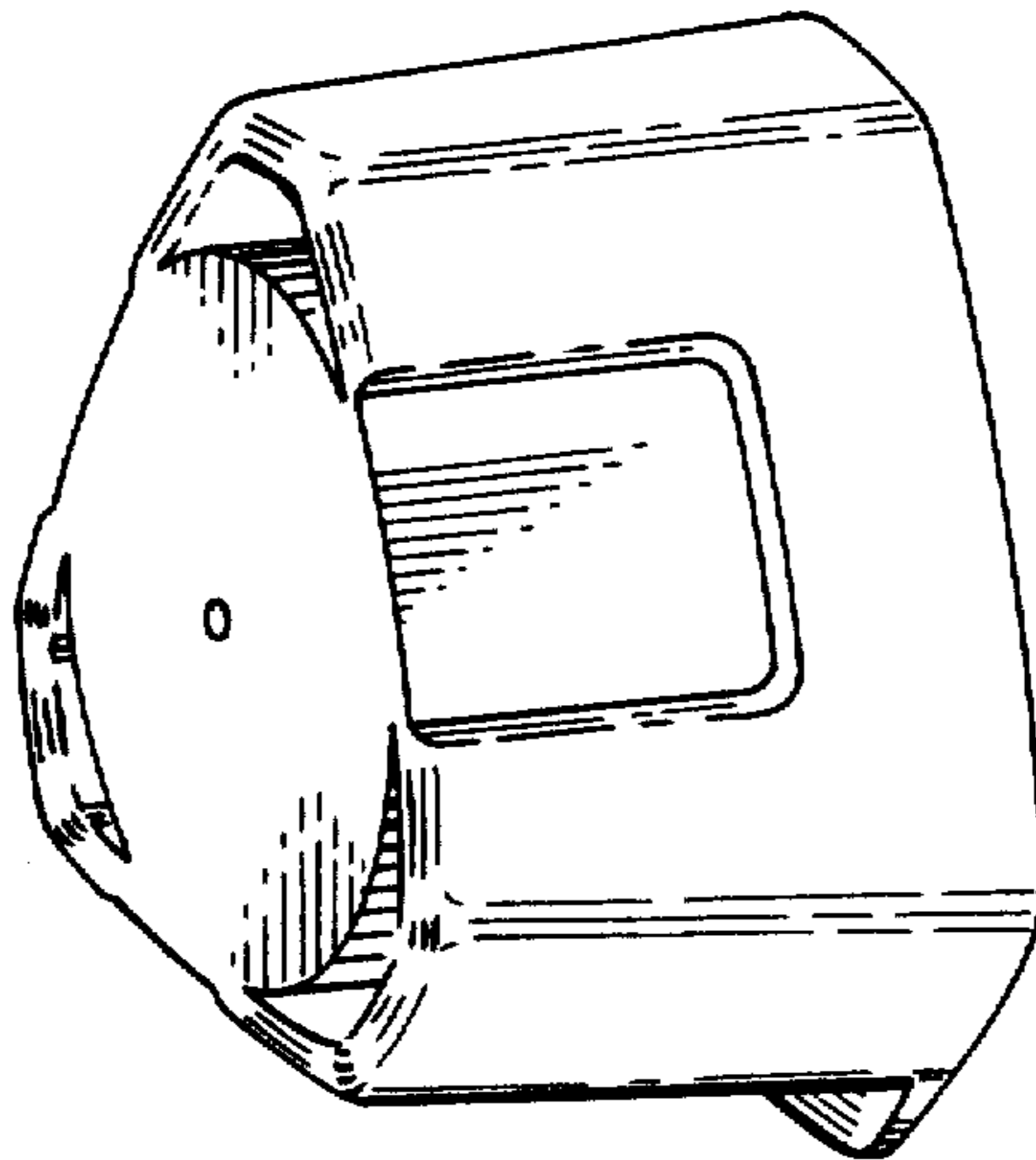


FIG. 7