

[54] LIGHT FOR A ROLLER SKATE WHEEL

[76] Inventor: David Kalish, 26 Westminister Ave., Venice, Los Angeles County, Calif. 90291

[\*\*] Term: 14 Years

[21] Appl. No.: 150,988

[22] Filed: May 19, 1980

[51] Int. Cl. D21-02

[52] U.S. Cl. D21/226; D26/124

[58] Field of Search D21/224, 225, 226, 227; 280/11.19, 809, 816, 87.04 A; D26/39, 49, 120, 123, 124, 131

[56]

References Cited

U.S. PATENT DOCUMENTS

D. 137,085	1/1944	Cressaty	.....	D26/124
2,705,318	3/1955	Hallerberg	.....	D26/124
3,789,208	1/1974	Lewis	.....	280/816

Primary Examiner—Charles A. Rademaker  
Attorney, Agent, or Firm—Kalish & Gilster

[57]

CLAIM

The ornamental design for a light for a roller skate wheel, as shown.

DESCRIPTION

FIG. 1 is a perspective view of a light for a roller skate wheel showing my new design.

FIG. 2 is a front elevational view thereof.

FIG. 3 is a rear elevational view.

FIG. 4 is a side elevational view.

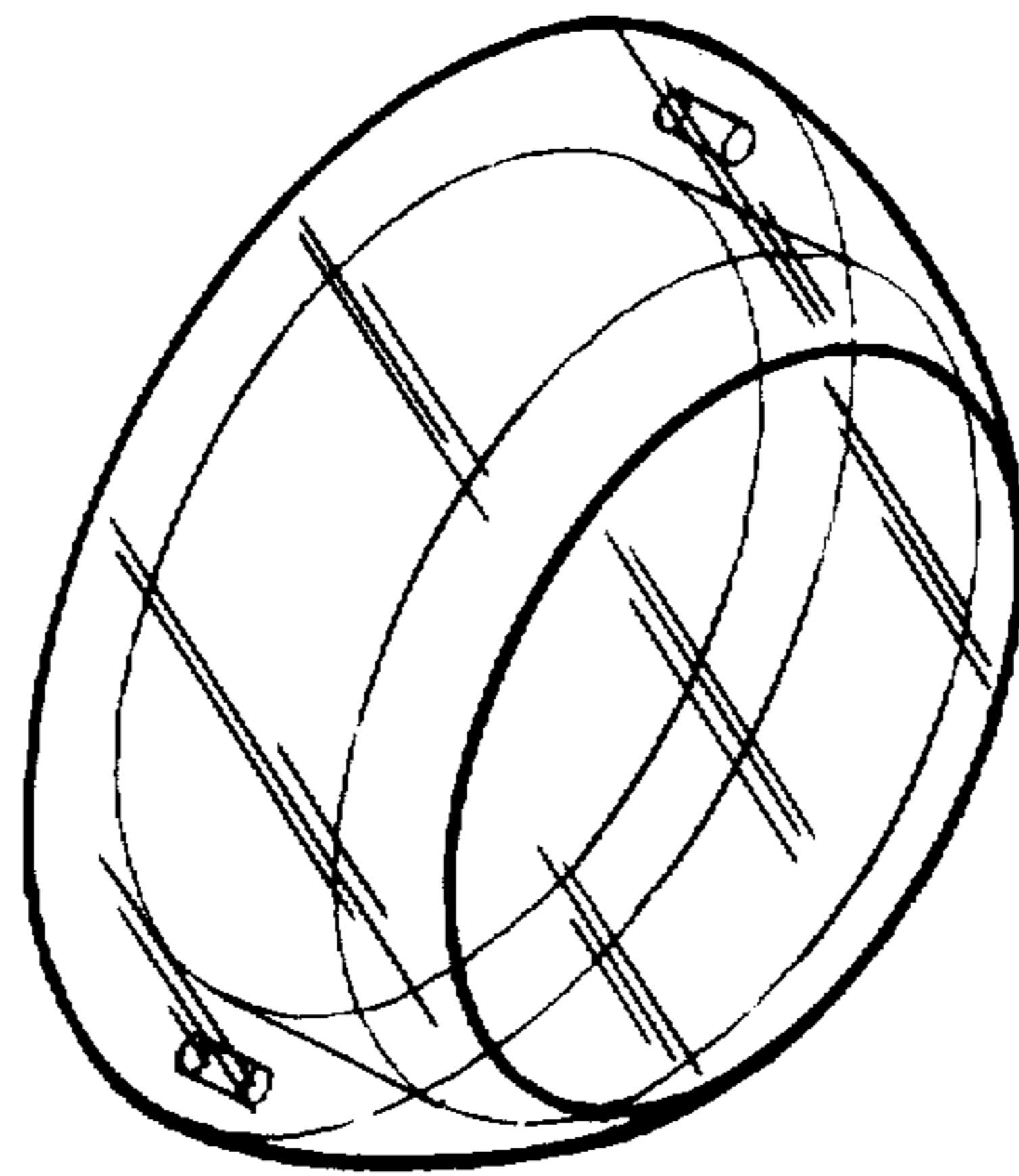


FIG. 1

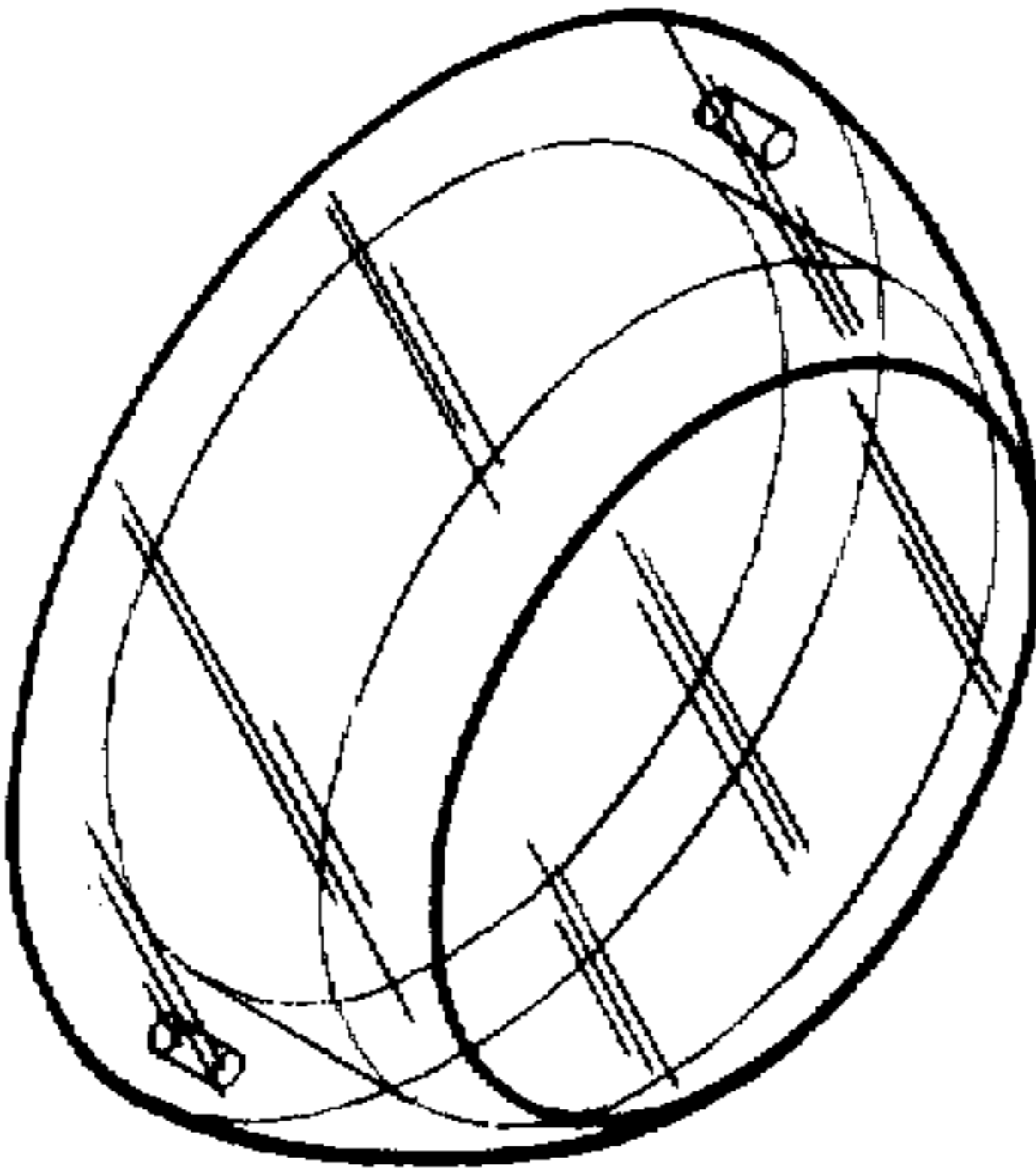


FIG. 2

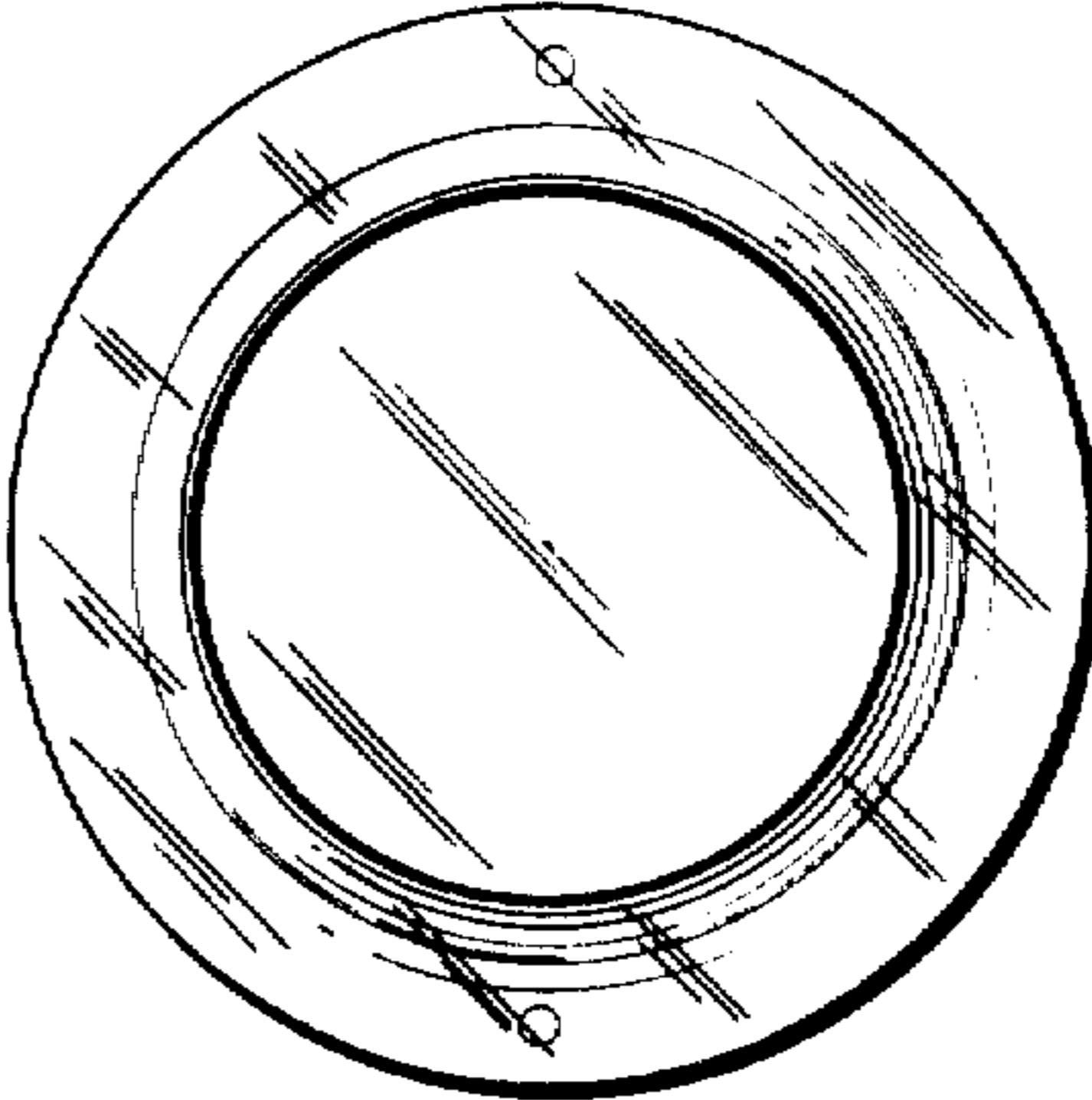


FIG. 3

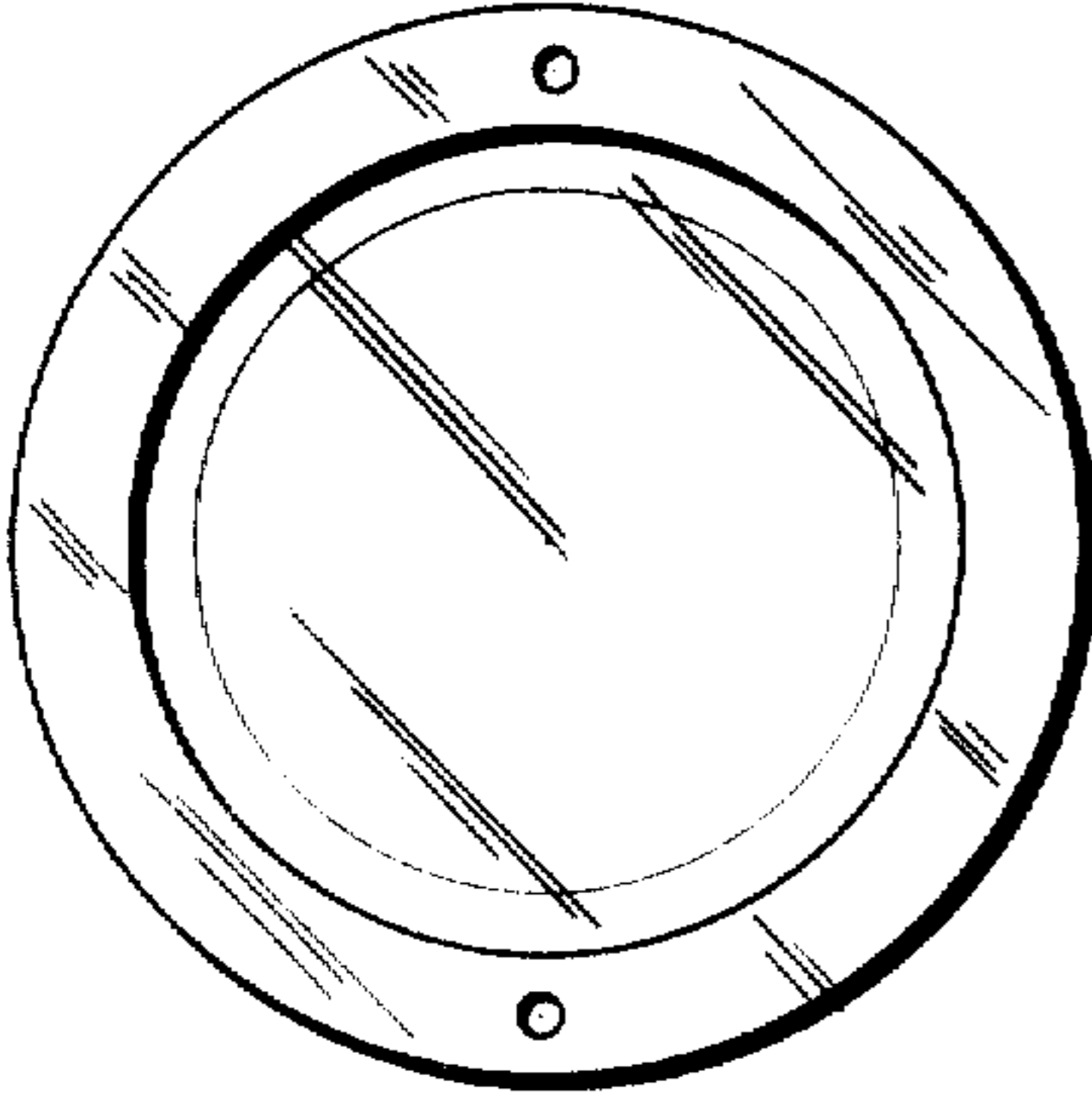


FIG. 4

