

[54] ROWING MACHINE

[76] Inventor: David B. Smith, P.O. Box 1280, Bellevue, Wash. 98009

[**] Term: 14 Years

[21] Appl. No.: 253,785

[22] Filed: Apr. 13, 1981

[51] Int. Cl. D21-02

[52] U.S. Cl. D21/195

[58] Field of Search D21/191-199; 272/72, 130, 134, 137, 140, 145

[56] References Cited

U.S. PATENT DOCUMENTS

1,905,019 4/1933 Turner 272/72
4,284,272 8/1981 Evans 272/72

FOREIGN PATENT DOCUMENTS

78675 4/1932 Sweden 272/72
426410 4/1935 United Kingdom 272/72

OTHER PUBLICATIONS

TWA Flight "World of Gifts", 6-1980, p. 7, Item I, Hydraulic Rowing Machine.

Merchants Corporation of America Advertising Brochure Illustrating Rowing Machine Model MCA-1200. M & R Industries Advertising Brochure Describing "Dyna-Row 100" Rowing Machine. Two pages of a 1981 Annual Report by Pyramid Sports, Inc. Disclosing Rowing Machines. Copies of pp. 6 & 7 of Amerec Corporation Advertising Catalog Illustrating Tunturi Rowing Machine. Pp. 14 & 15 of Vitamaster Catalog Illustrating Rowing Machine Models RM-6 and RM-7. Copy of Advertising Brochure by Walton Manufacturing Co. Illustrating Model 522-Professional Rowing Exerciser.

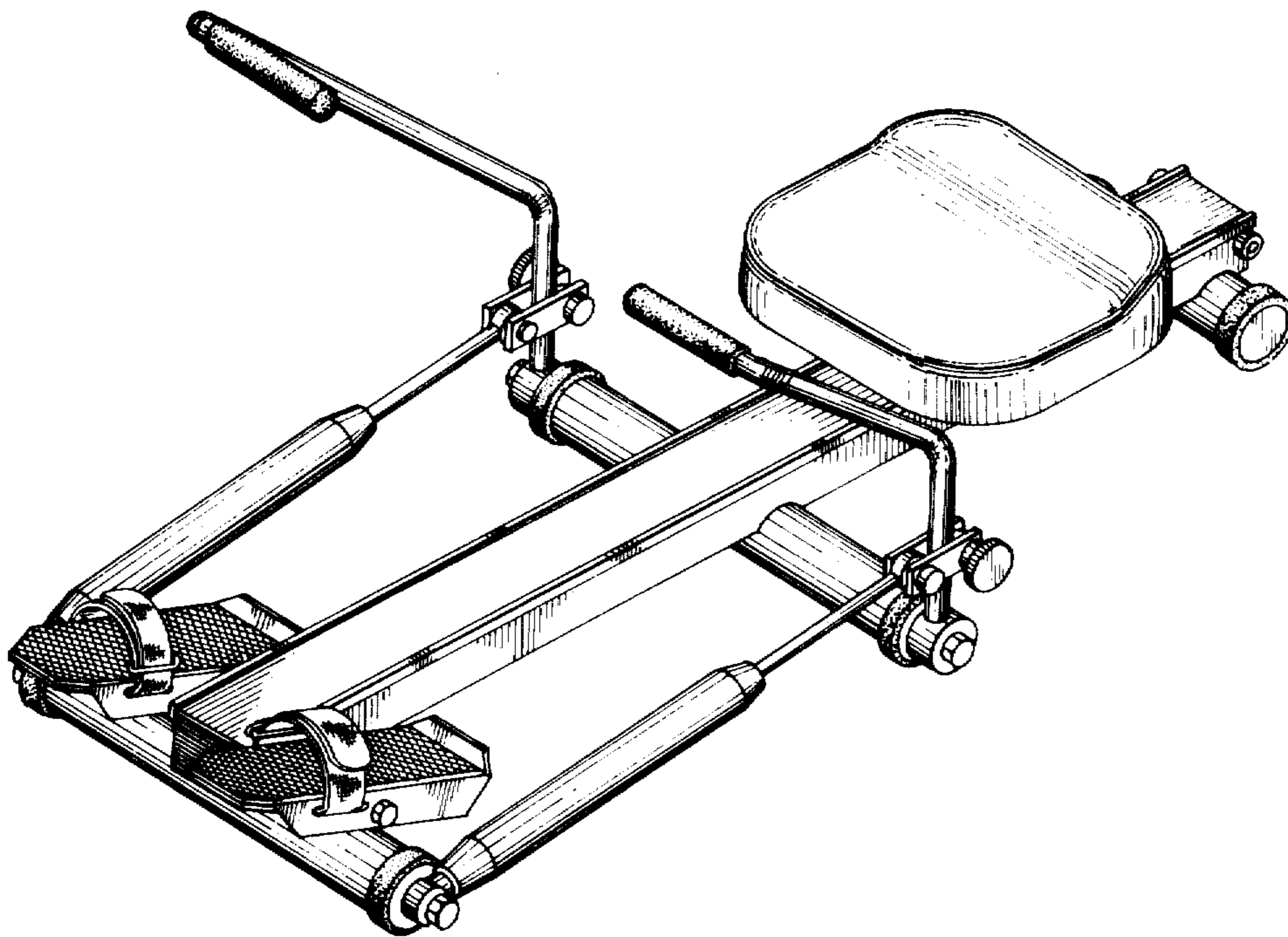
Primary Examiner—Charles A. Rademaker
Attorney, Agent, or Firm—James R. Uhlir

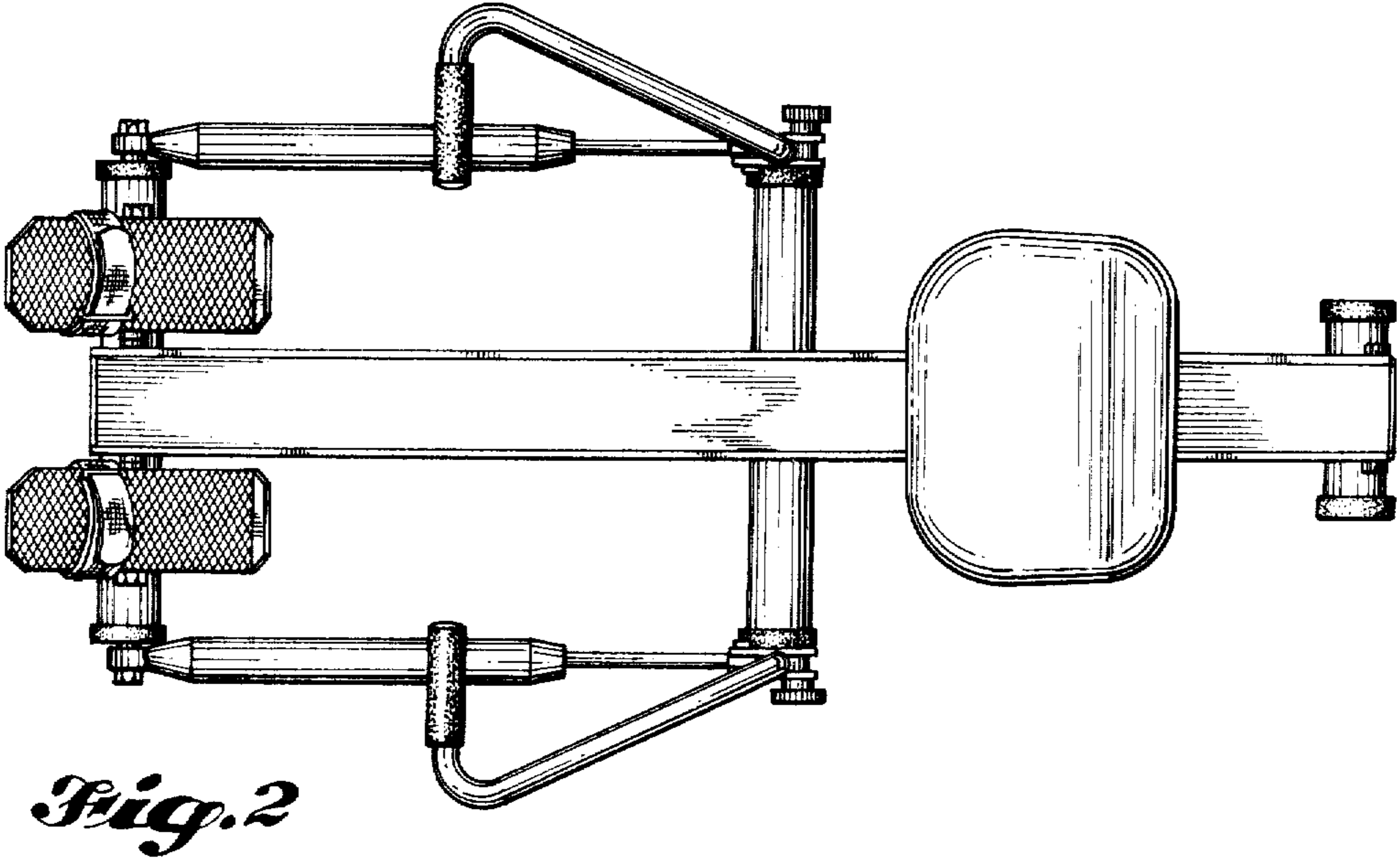
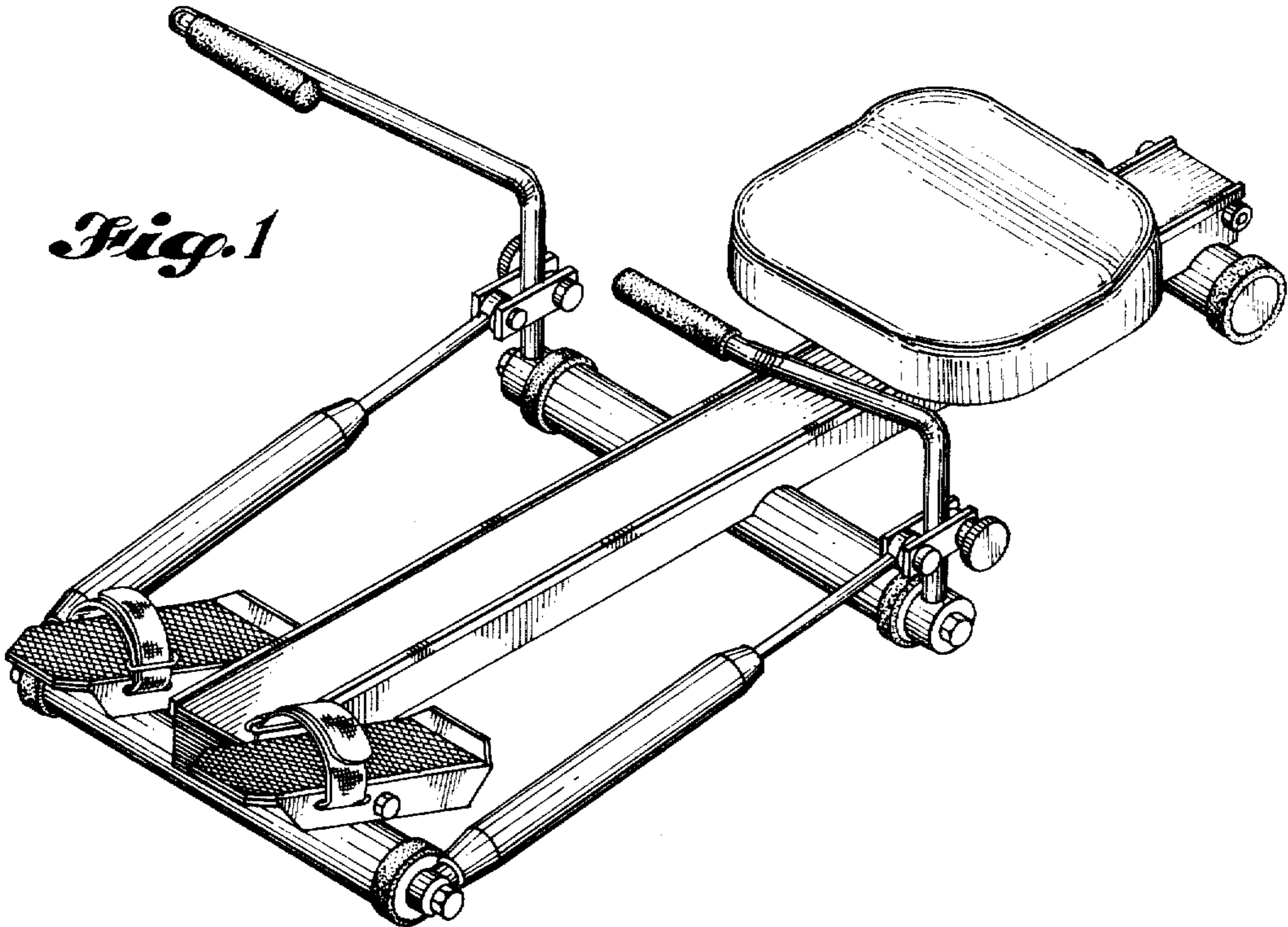
[57] CLAIM

The ornamental design for a rowing machine, substantially as shown and described.

DESCRIPTION

FIG. 1 is a perspective view of a rowing machine showing my new design;
FIG. 2 is a top plan view thereof;
FIG. 3 is a side elevational view thereof, the side opposite being substantially a mirror image;
FIG. 4 is a front elevational view thereof; and,
FIG. 5 is a rear elevational view thereof.





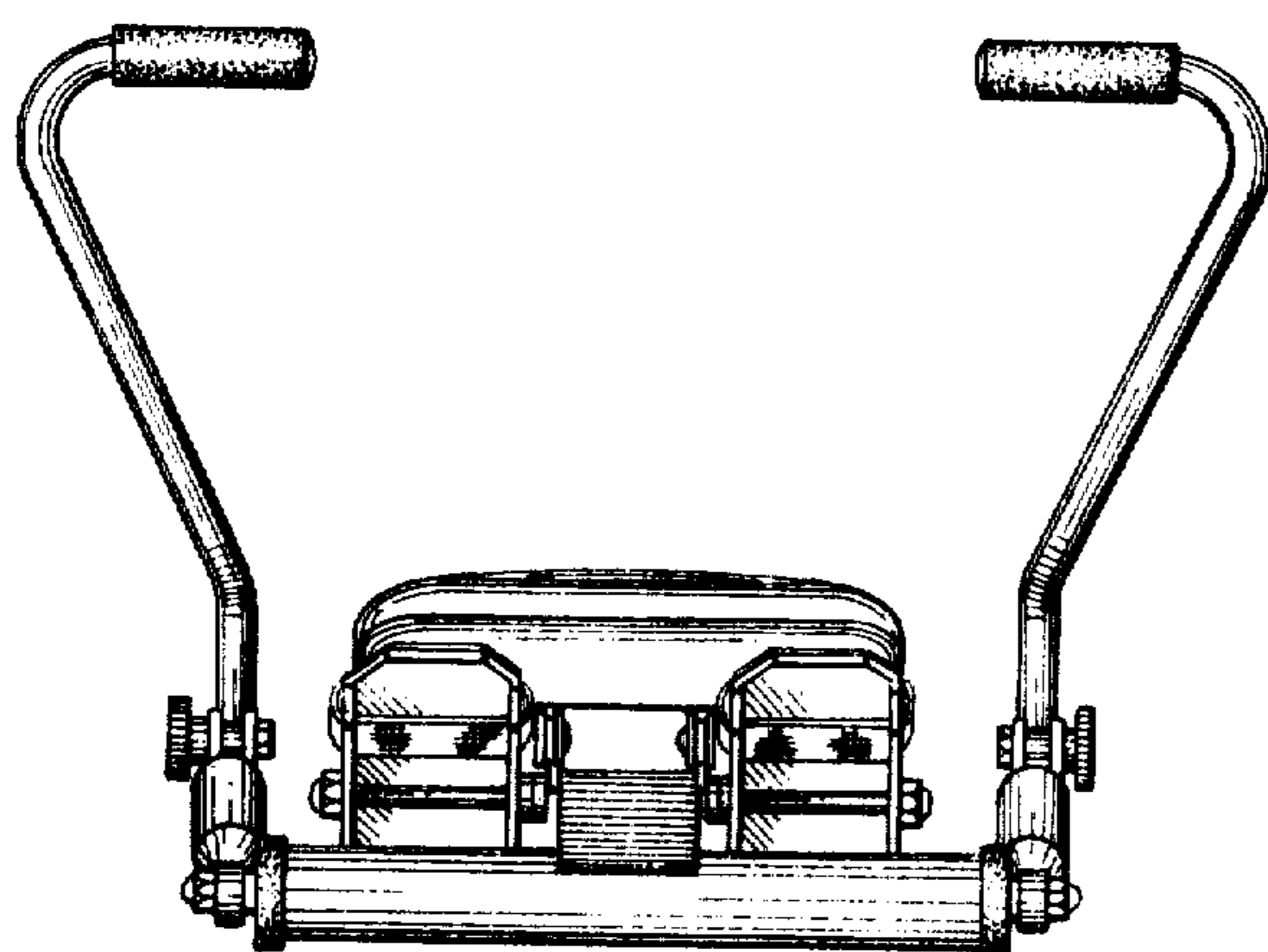
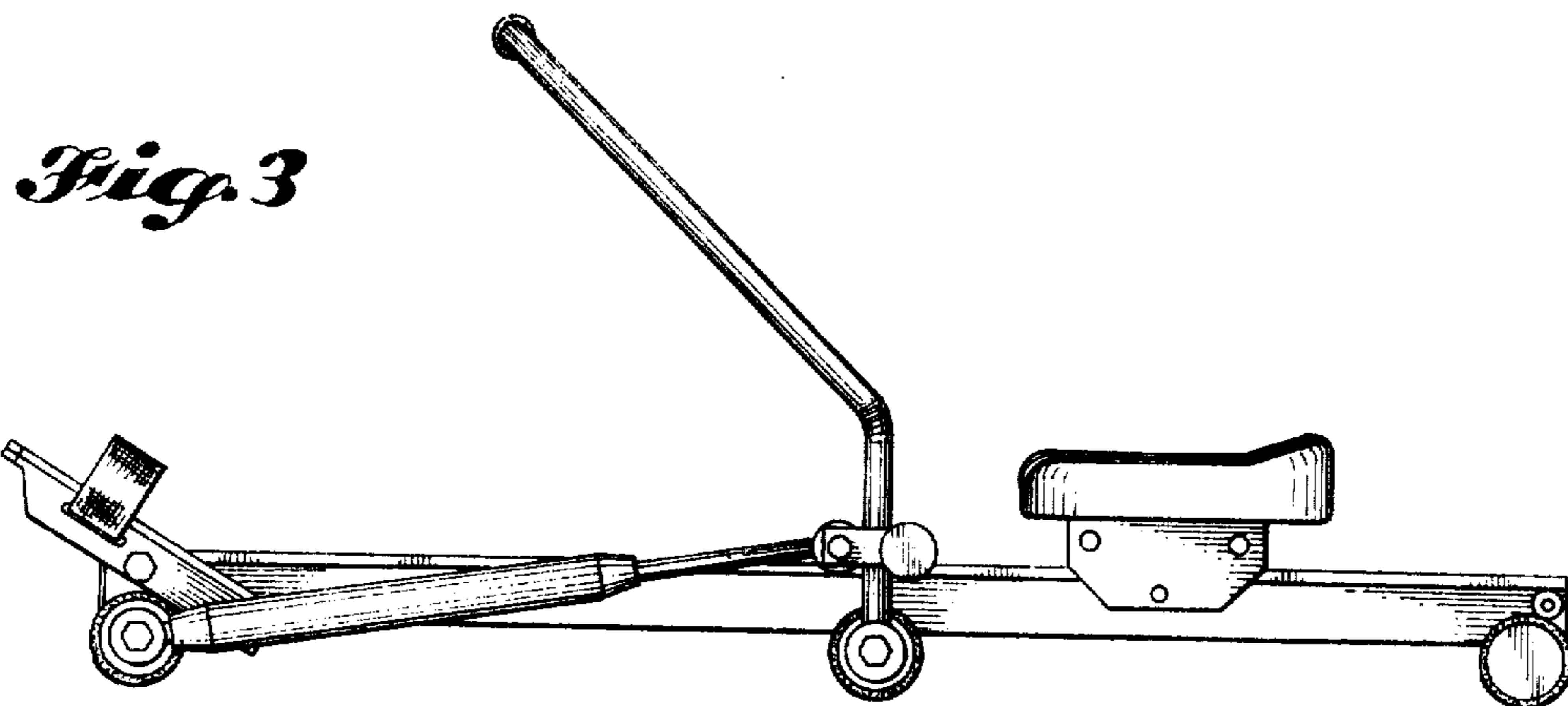


Fig. 4

