

[54] TOY SPACE VEHICLE

[75] Inventors: George W. Lucas, San Anselmo;  
Joseph E. Johnston, San Rafael, both  
of Calif.

[73] Assignee: Lucasfilm, Ltd., San Rafael, Calif.

[\*\*] Term: 14 Years

[21] Appl. No.: 141,591

[22] Filed: Apr. 18, 1980

[51] Int. Cl. .... D21-01  
[52] U.S. Cl. .... D21/87  
[58] Field of Search ..... D21/82, 84, 87, 88,  
D21/89; 46/74 A, 74 B, 74 C, 74 D, 79, 80, 81,  
74 R; D12/320

[56]

References Cited

U.S. PATENT DOCUMENTS

1,609,517 12/1926 Kraft ..... D21/87  
2,431,938 12/1947 Jalbert ..... D21/88

OTHER PUBLICATIONS

Sears Xmas Catalog, 1976, p. 472, "Eagle" Spaceship at  
bottom of page.

Leda Associates Flier, 3-1968, #3414, Gemini Rocket.

Primary Examiner—Charles A. Rademaker

Attorney, Agent, or Firm—Townsend and Townsend

[57]

CLAIM

The ornamental design for a toy space vehicle, substan-  
tially as shown.

DESCRIPTION

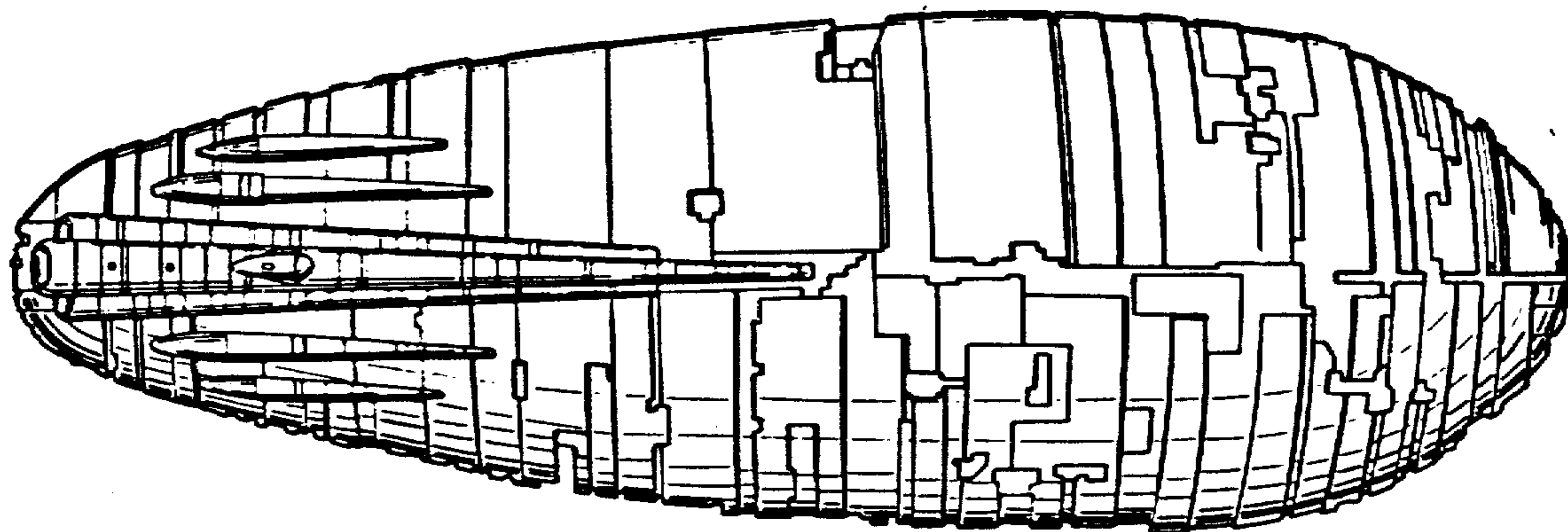
FIG. 1 is a top perspective view of a toy space vehicle  
showing our new design;

FIG. 2 is a side perspective view thereof;

FIG. 3 is a front perspective view thereof;

FIG. 4 is a rear perspective view thereof;

FIG. 5 is a bottom perspective view thereof.



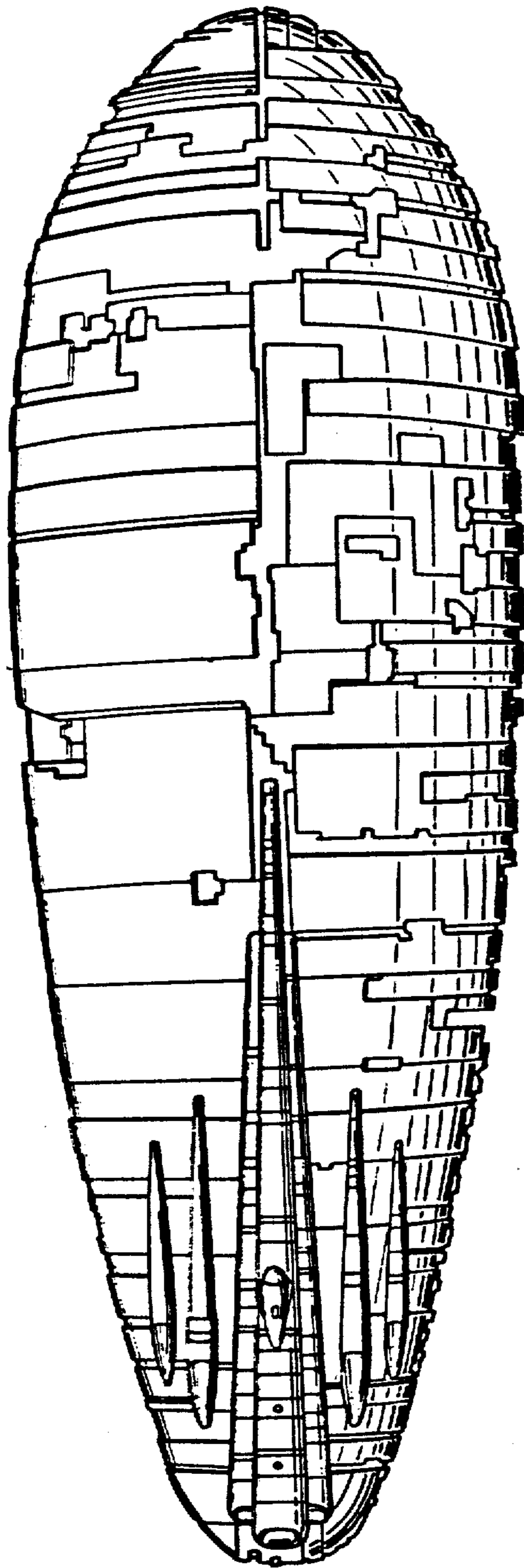


Fig. 1

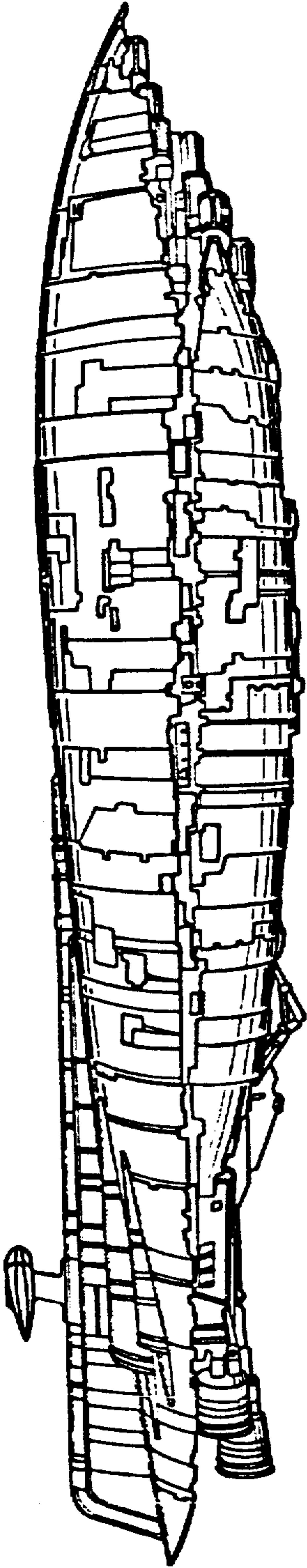


Fig. 2

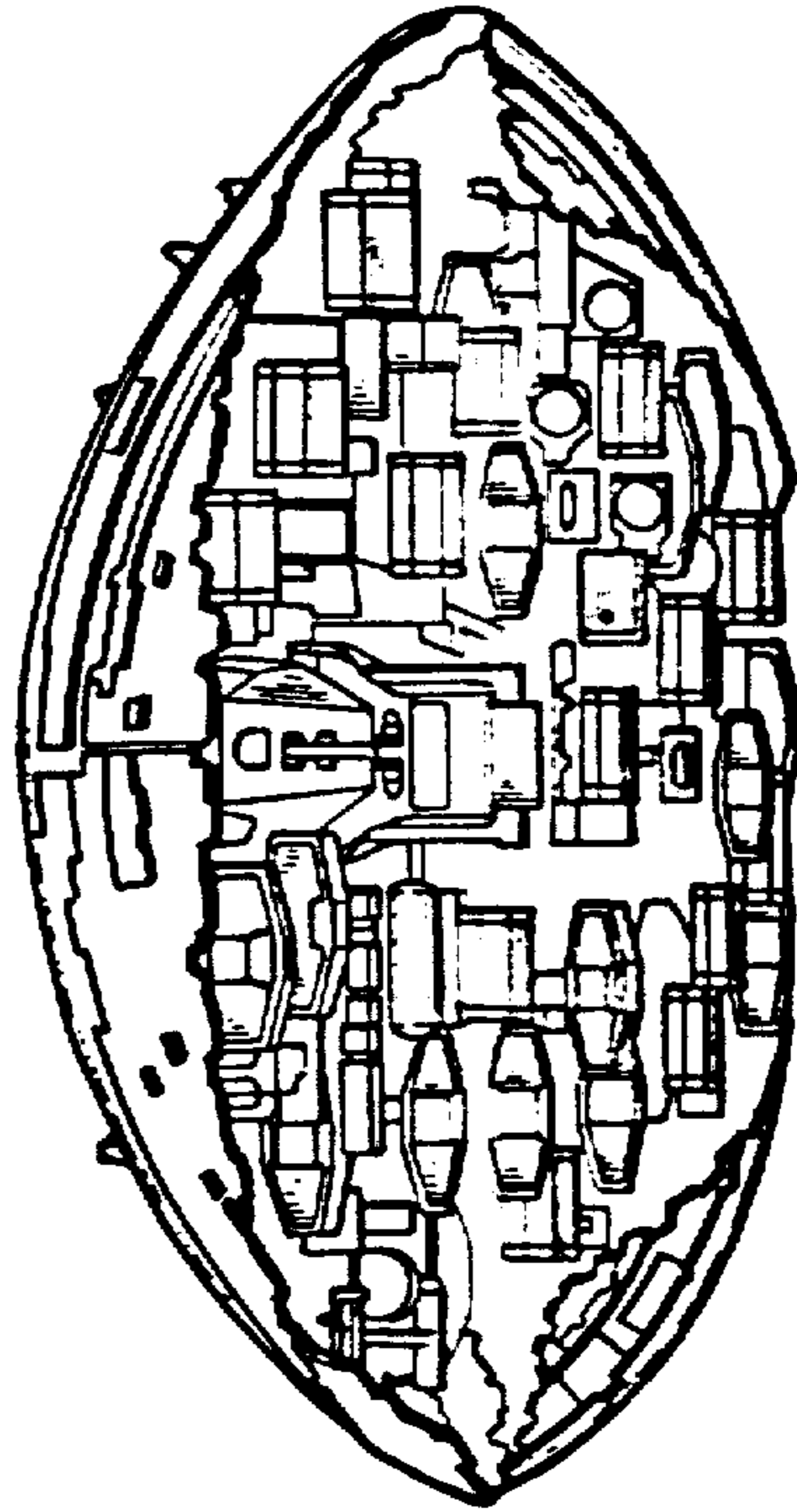


Fig. 3

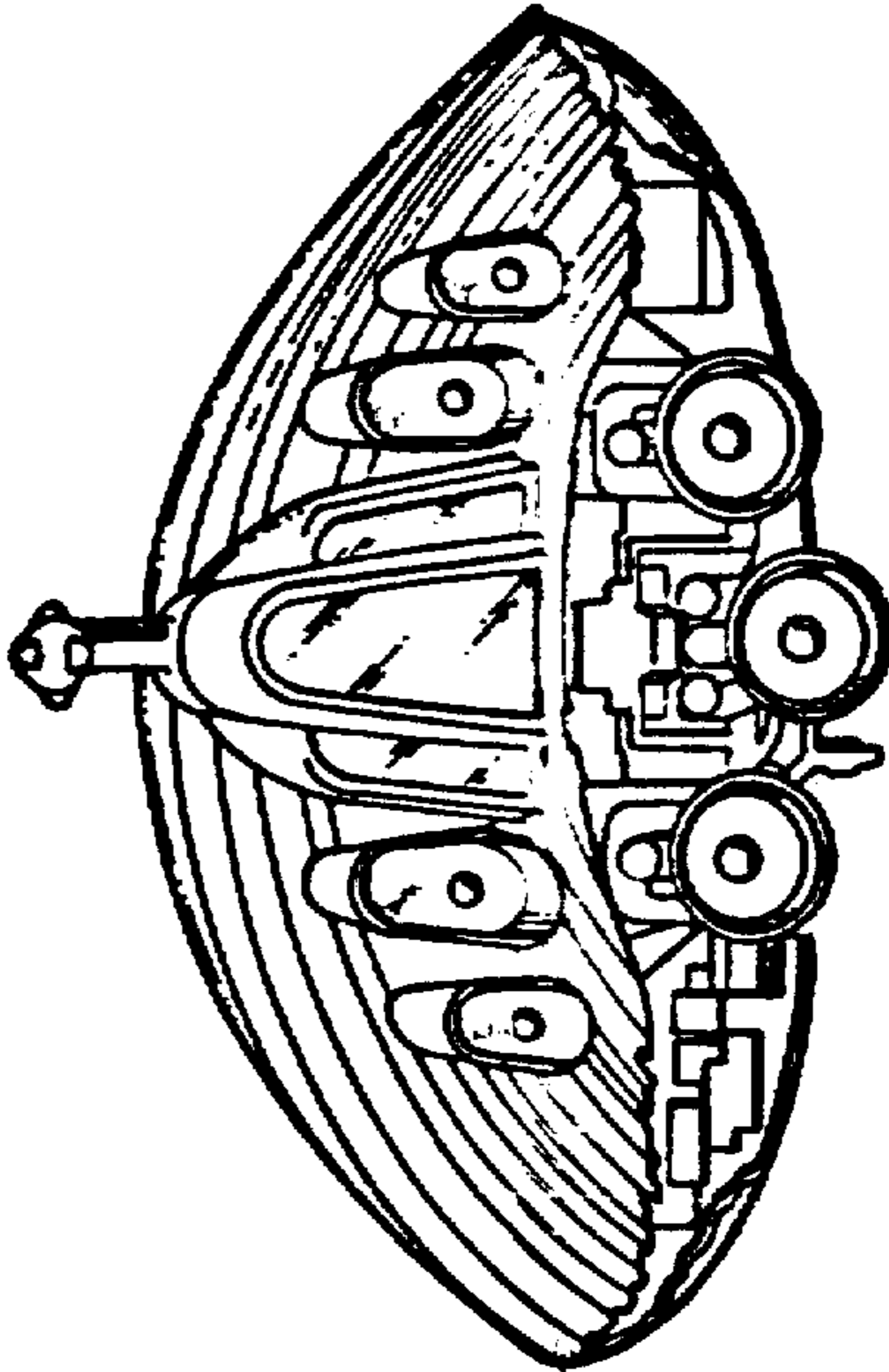
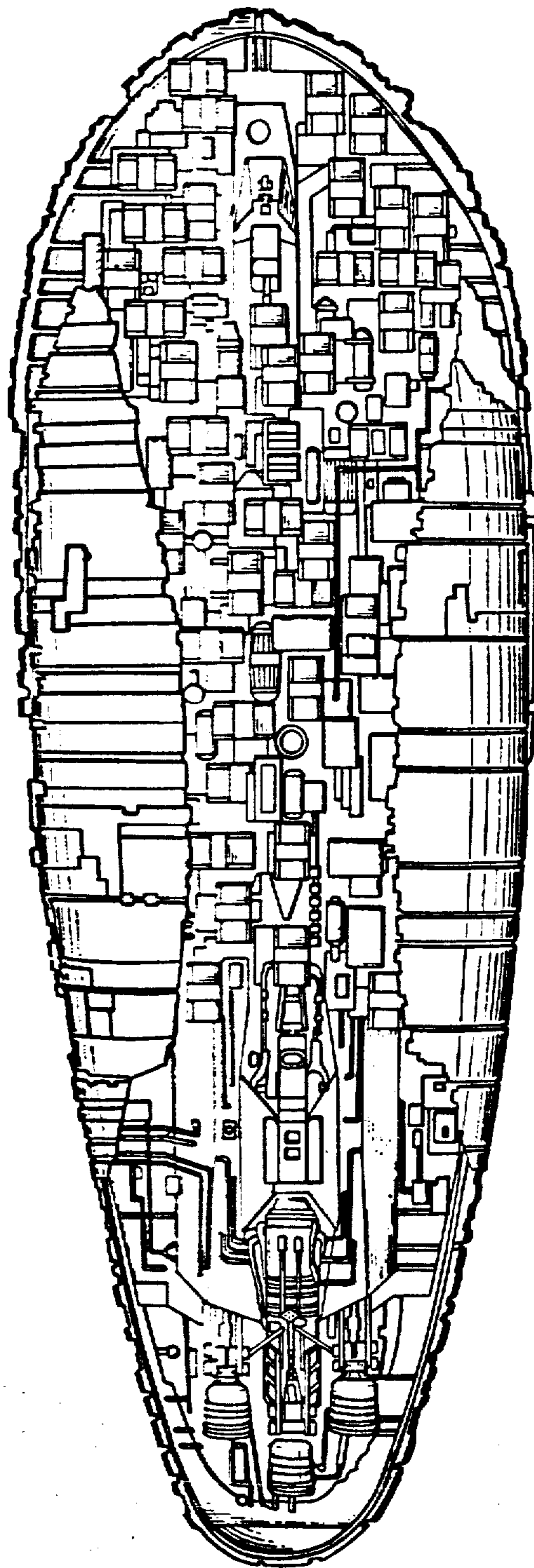


Fig. 4



*Fig. 5*