

[54] OUTDOOR SIGN

[75] Inventor: Russell Faxon, Bell Buckle, Tenn.

[73] Assignee: Landquest Realty Company, Shelbyville, Tenn.

[**] Term: 14 Years

[21] Appl. No.: 232,727

[22] Filed: Feb. 9, 1981

[51] Int. Cl. D20-03

[52] U.S. Cl. D20/41

[58] Field of Search D20/10-44; 40/584, 606, 607

[56] References Cited

U.S. PATENT DOCUMENTS

4,235,034	11/1980	Black	40/607
4,242,822	1/1981	Black	40/607
4,249,715	2/1981	Repp	40/607 X
4,258,494	3/1981	Borque	40/607

Primary Examiner—Catherine E. Kemper
Attorney, Agent, or Firm—Watson, Cole, Grindle & Watson

[57] CLAIM

The ornamental design for an outdoor sign, as shown.

DESCRIPTION

FIG. 1 is a front elevational view of an outdoor sign, showing my new design;

FIG. 2 is a right side elevational view thereof;

FIG. 3 is a left side elevational view thereof;

FIG. 4 is a rear elevational view thereof;

FIG. 5 is a top plan view thereof; and

FIG. 6 is a bottom plan view thereof.

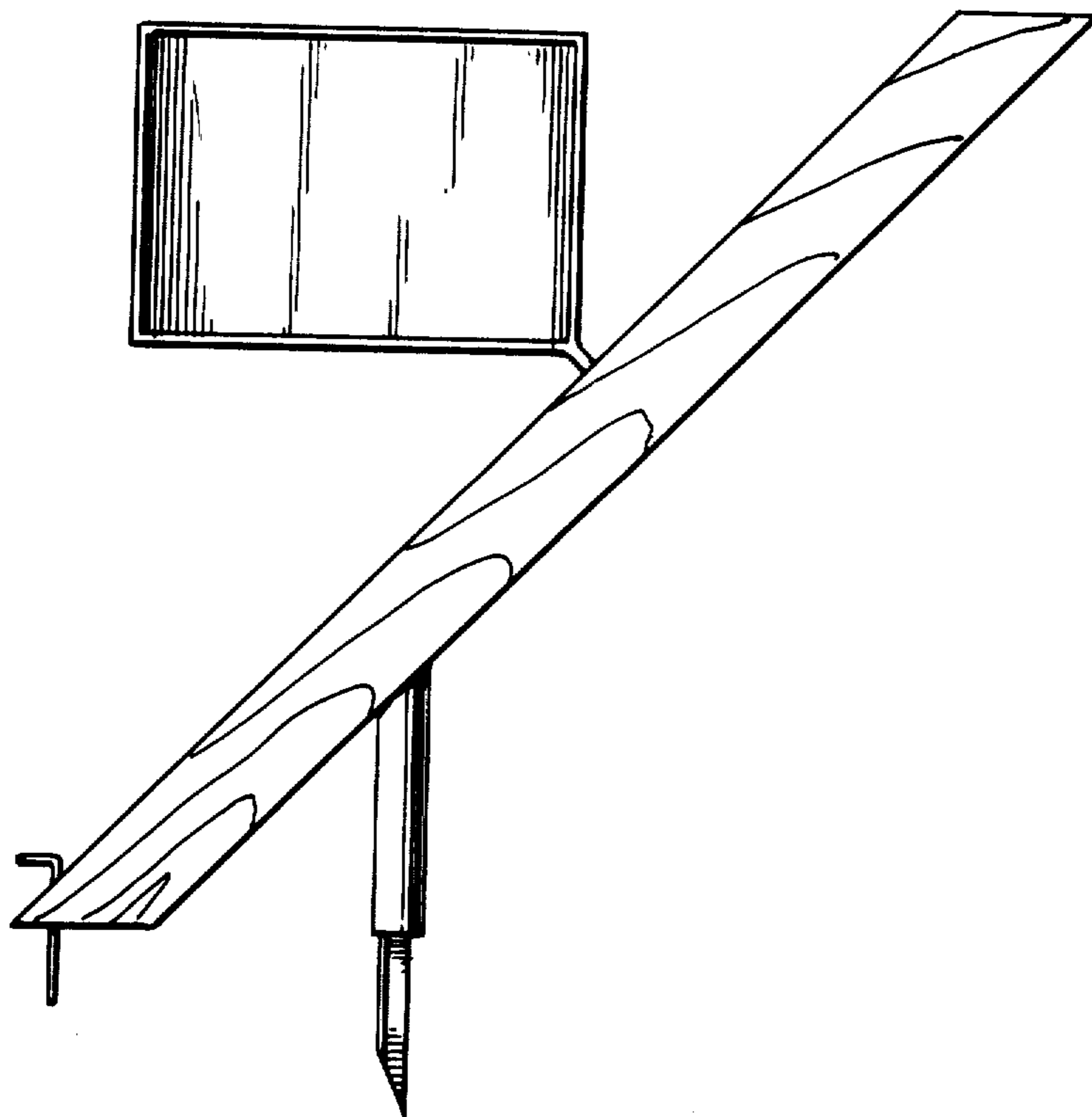


FIG. 1

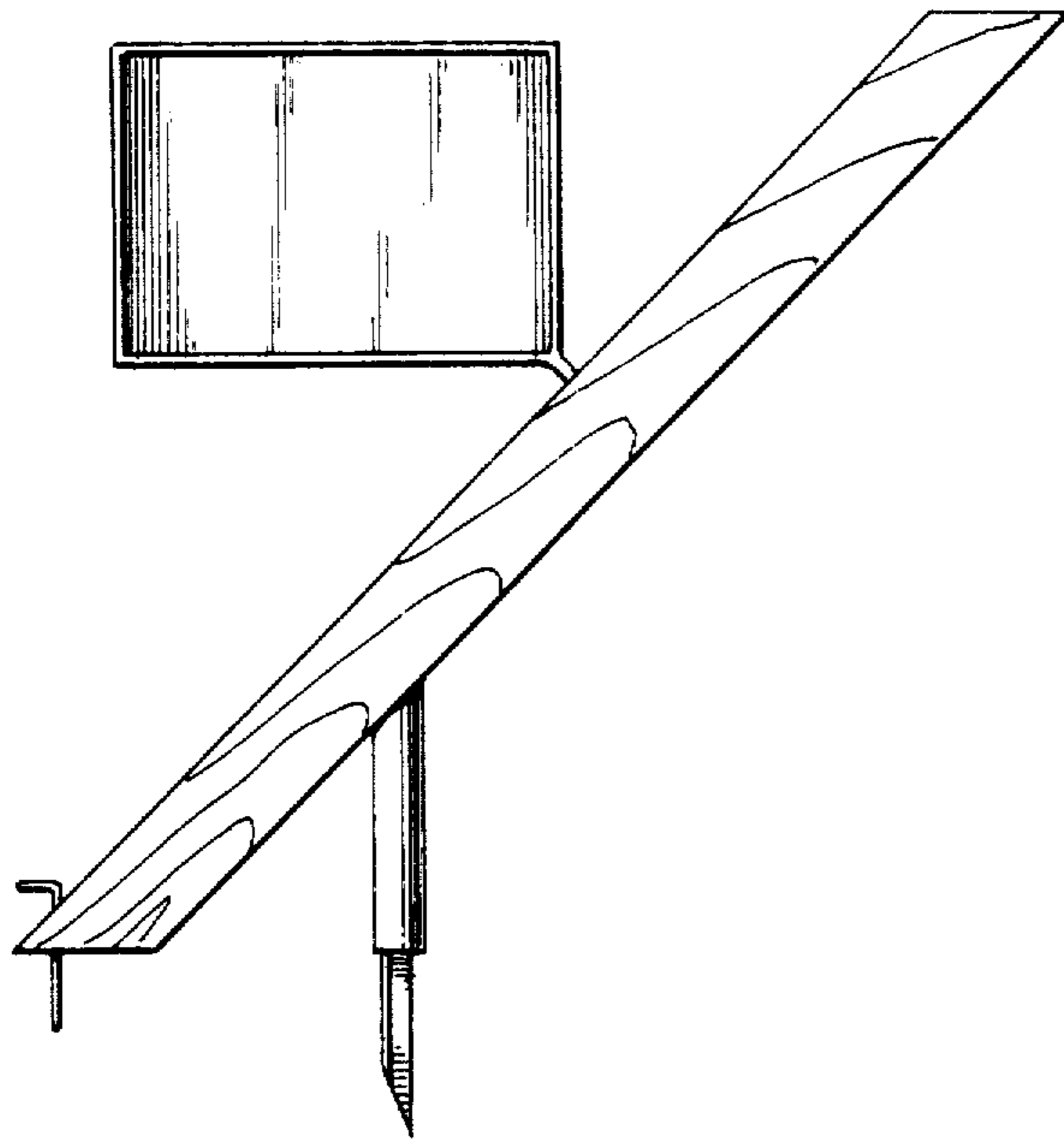


FIG. 2



FIG. 3

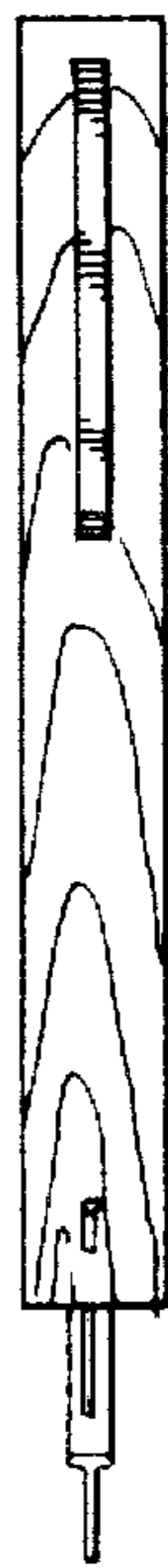


FIG. 4

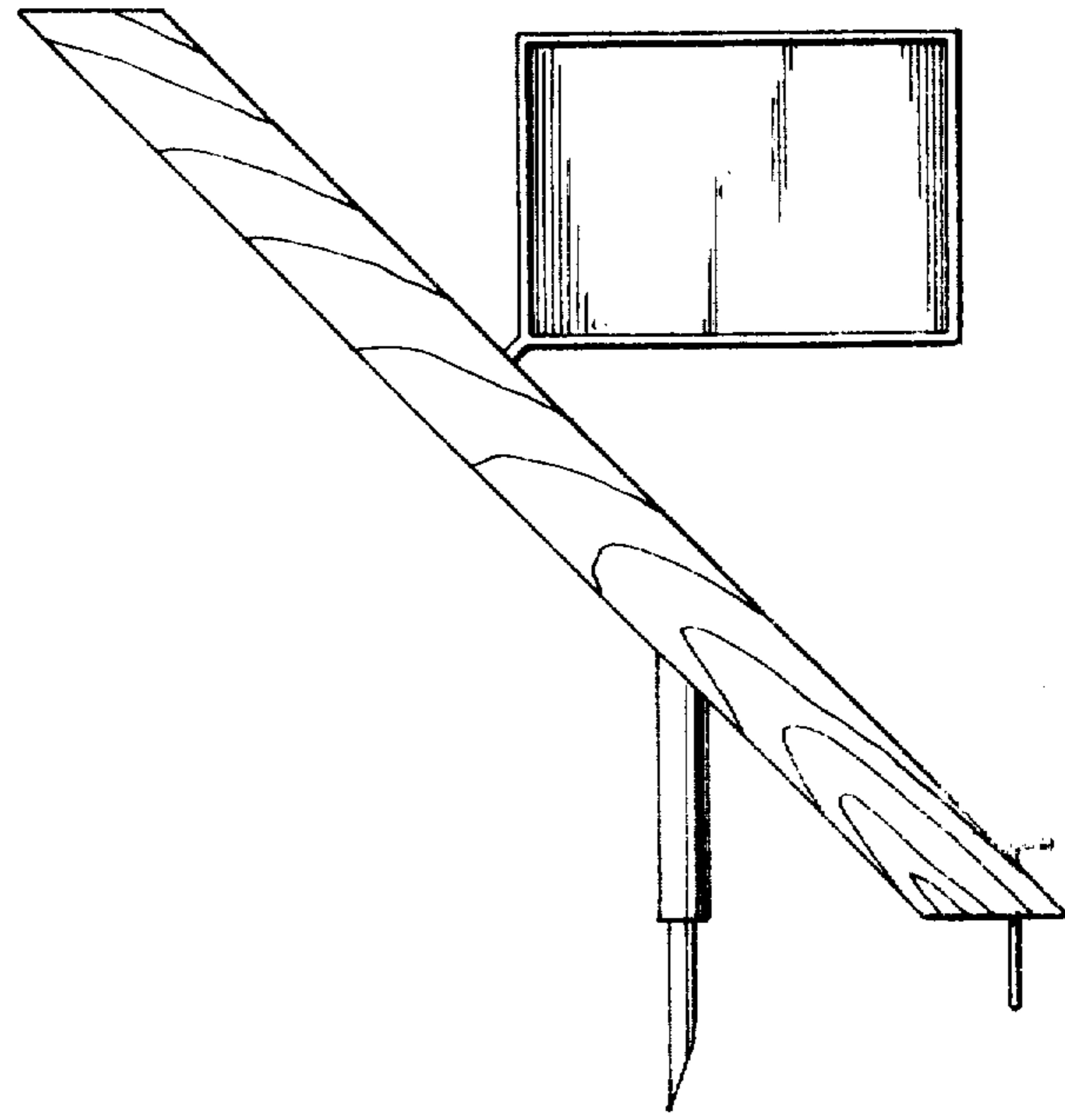


FIG. 5



FIG. 6

