

[54] **ROTARY STAMP**

[75] **Inventor:** **Tatsuro Funahashi, Komaki, Japan**

[73] **Assignee:** **Shachihata Industrial Co., Ltd.,
Nagoya, Japan**

[**] **Term:** **14 Years**

[21] **Appl. No.:** **184,222**

[22] **Filed:** **Sep. 4, 1980**

[51] **Int. Cl.** **D19—02**

[52] **U.S. Cl.** **D18/15**

[58] **Field of Search** **D18/15; 101/111, 110,
101/112, 405, 406**

[56] **References Cited**

U.S. PATENT DOCUMENTS

D. 185,518 6/1959 Szydlek D18/15
D. 232,001 7/1974 Funahashi D18/15

Primary Examiner—Melvin B. Feifer
Attorney, Agent, or Firm—Fleit & Jacobson

[57] **CLAIM**

The ornamental design for a rotary stamp, substantially as is shown.

DESCRIPTION

FIG. 1 is a perspective view of a rotary stamp showing my new design as viewed from the front thereof;
FIG. 2 is a further perspective view of the rotary stamp as viewed from the back thereof;
FIG. 3 is a front view of the rotary stamp;
FIG. 4 is a right side view of the rotary stamp;
FIG. 5 is a plan view of the rotary stamp;
FIG. 6 is a bottom view of the rotary stamp.

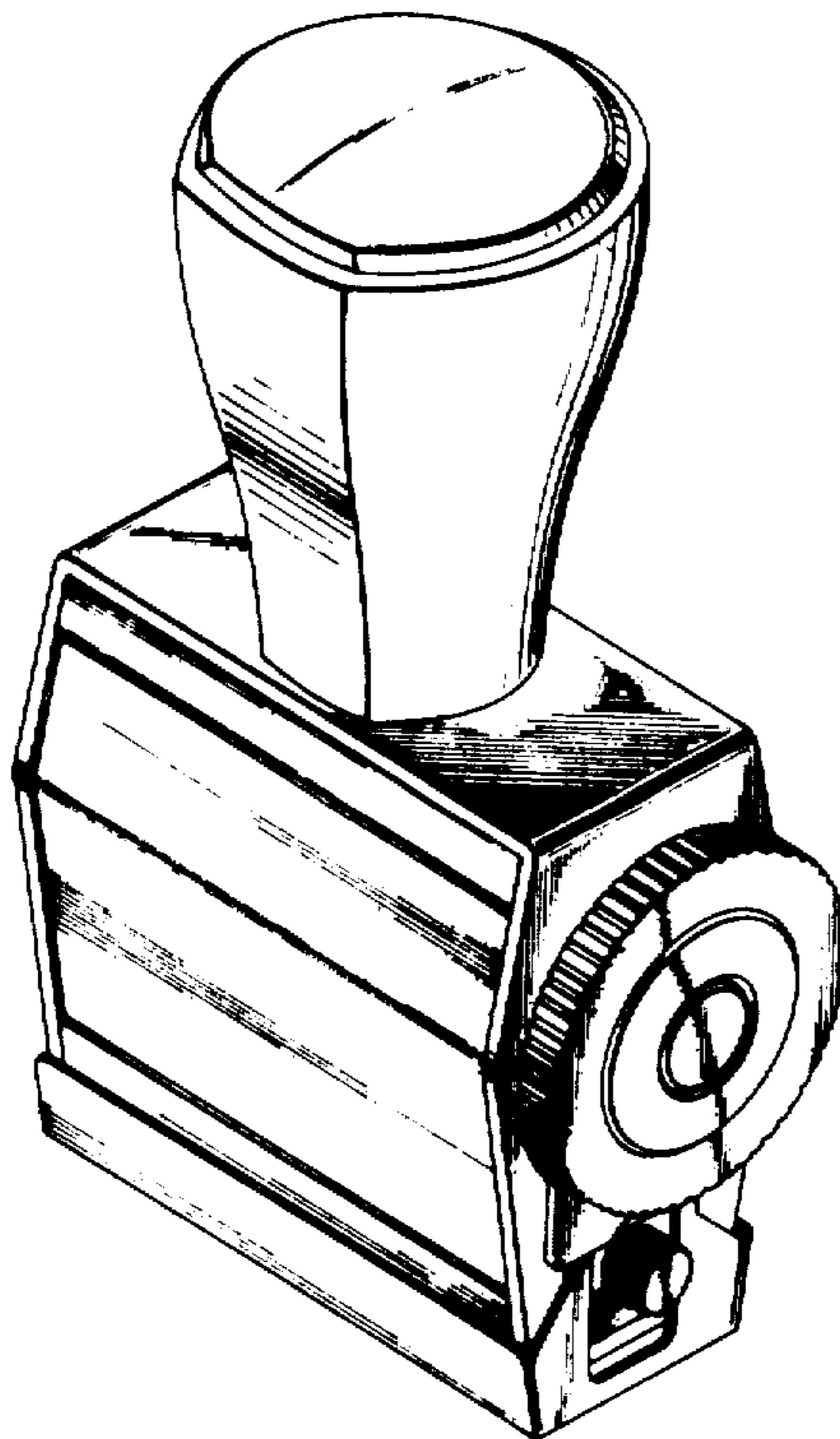


FIG. 1

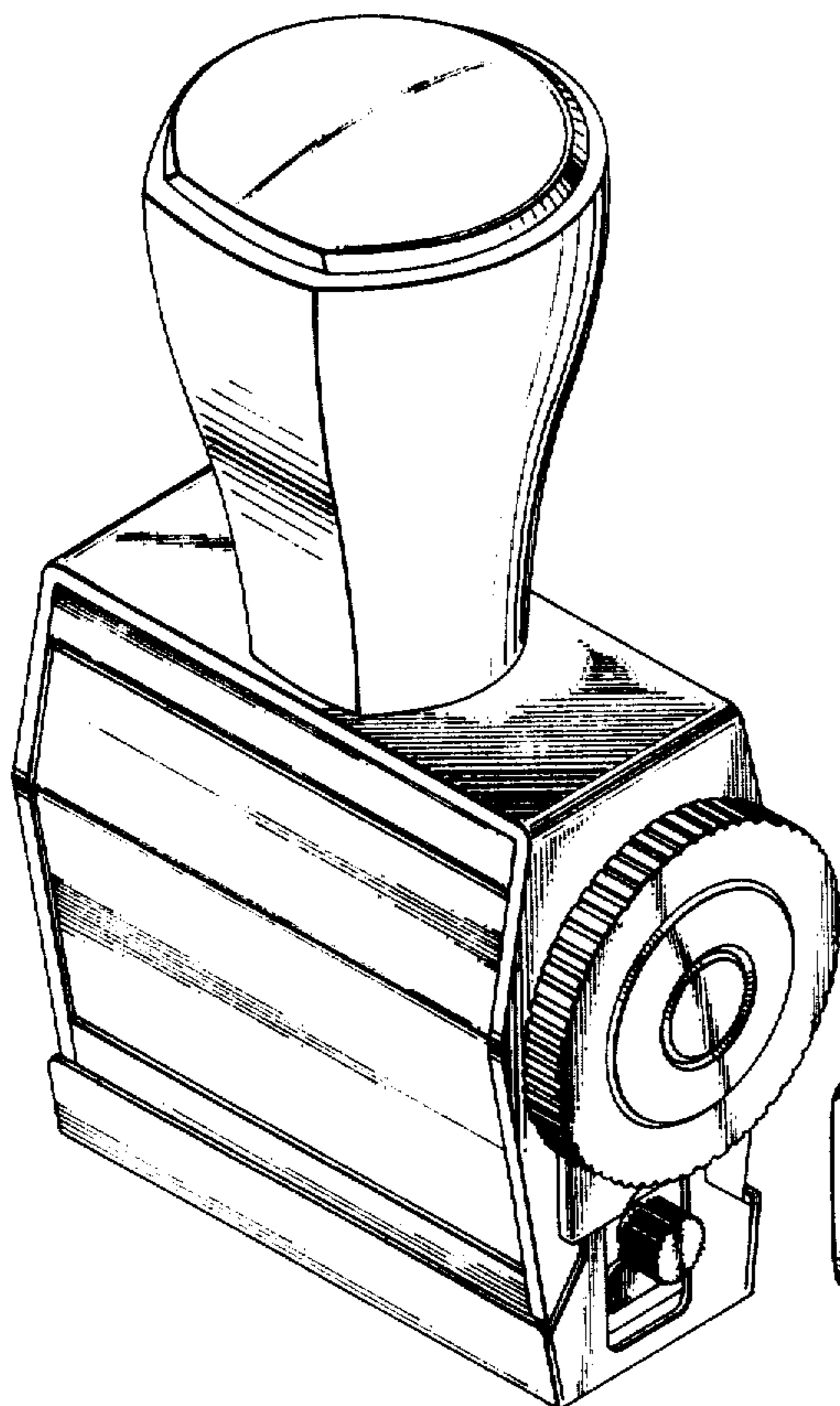


FIG. 3

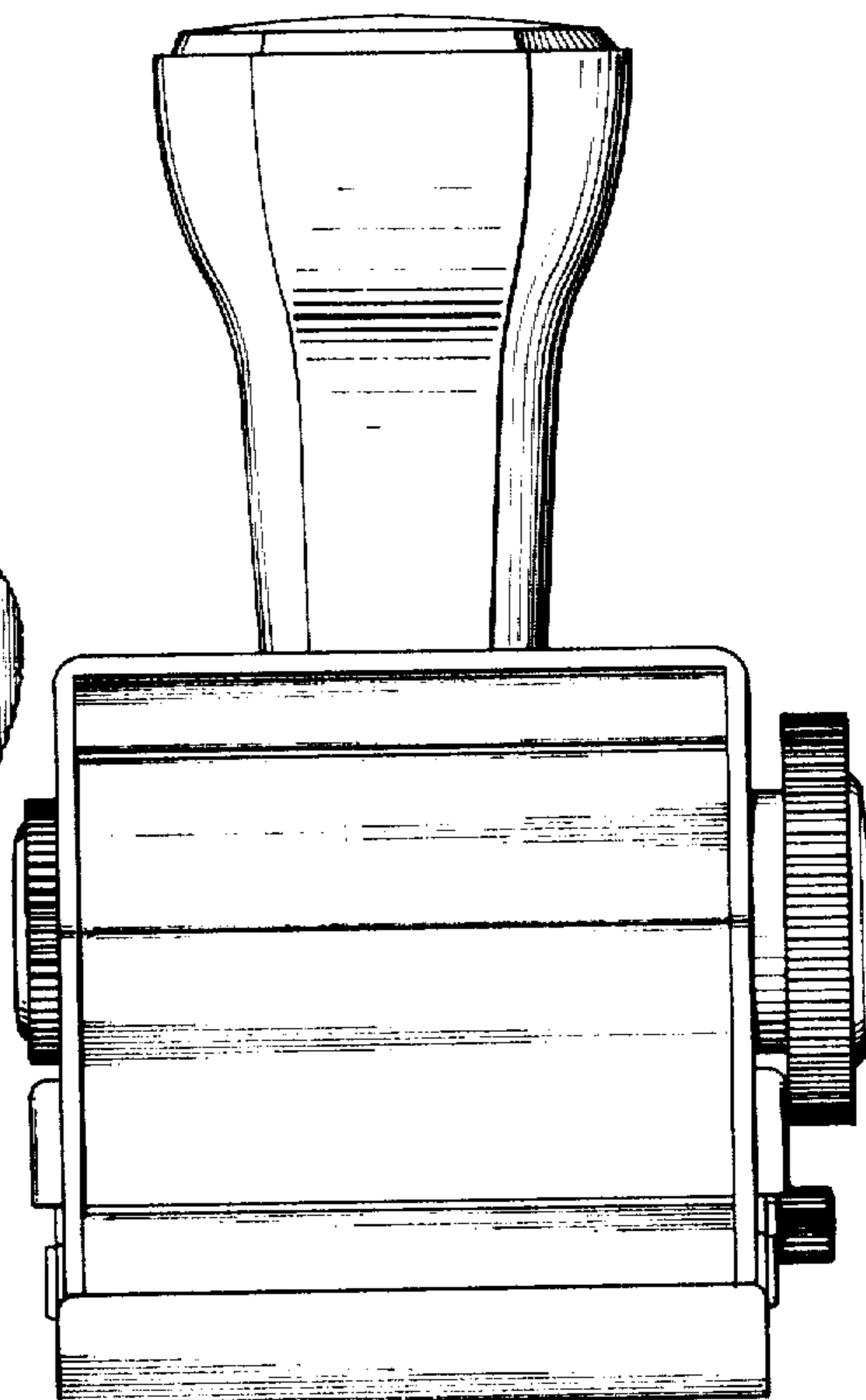


FIG. 5

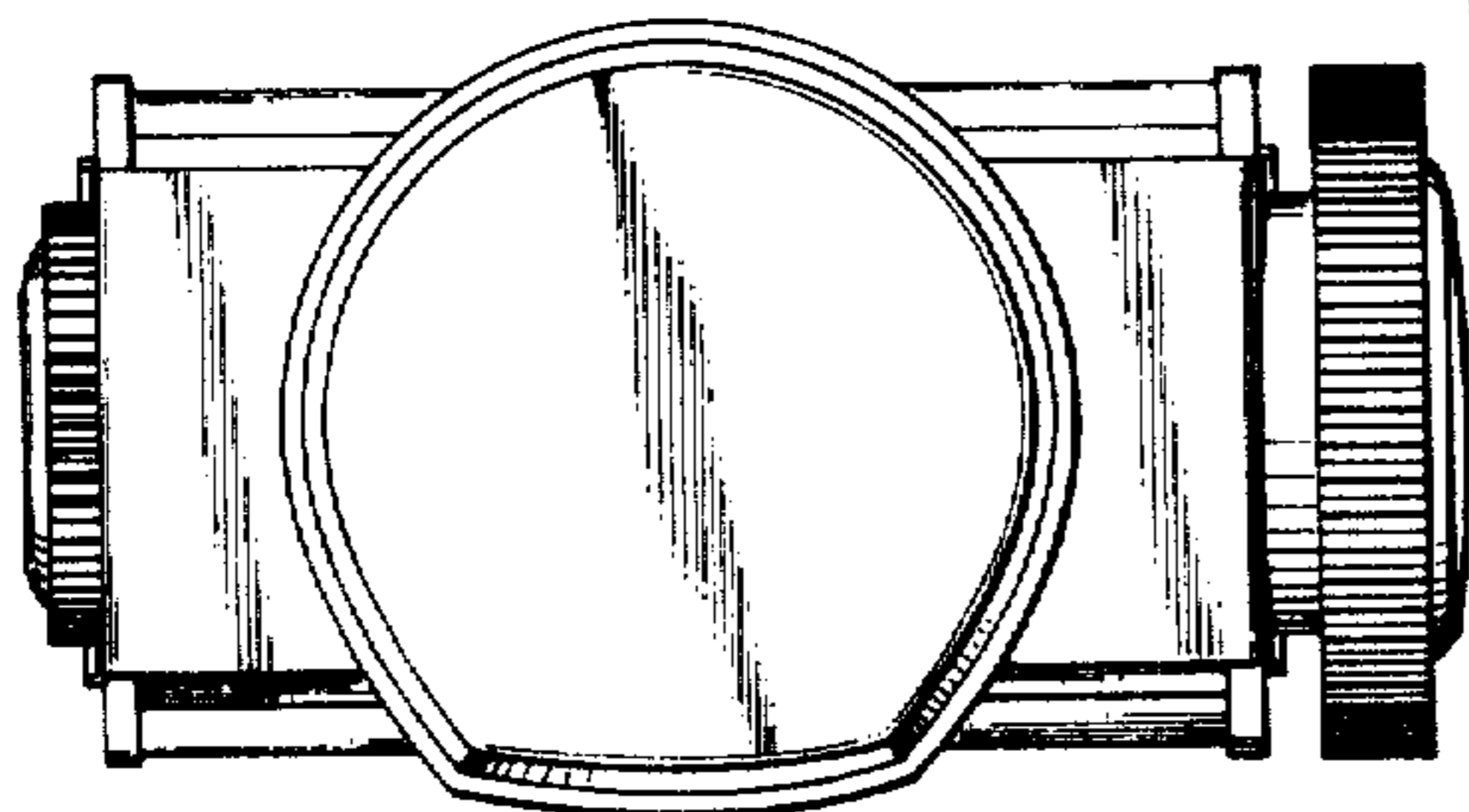


FIG. 2

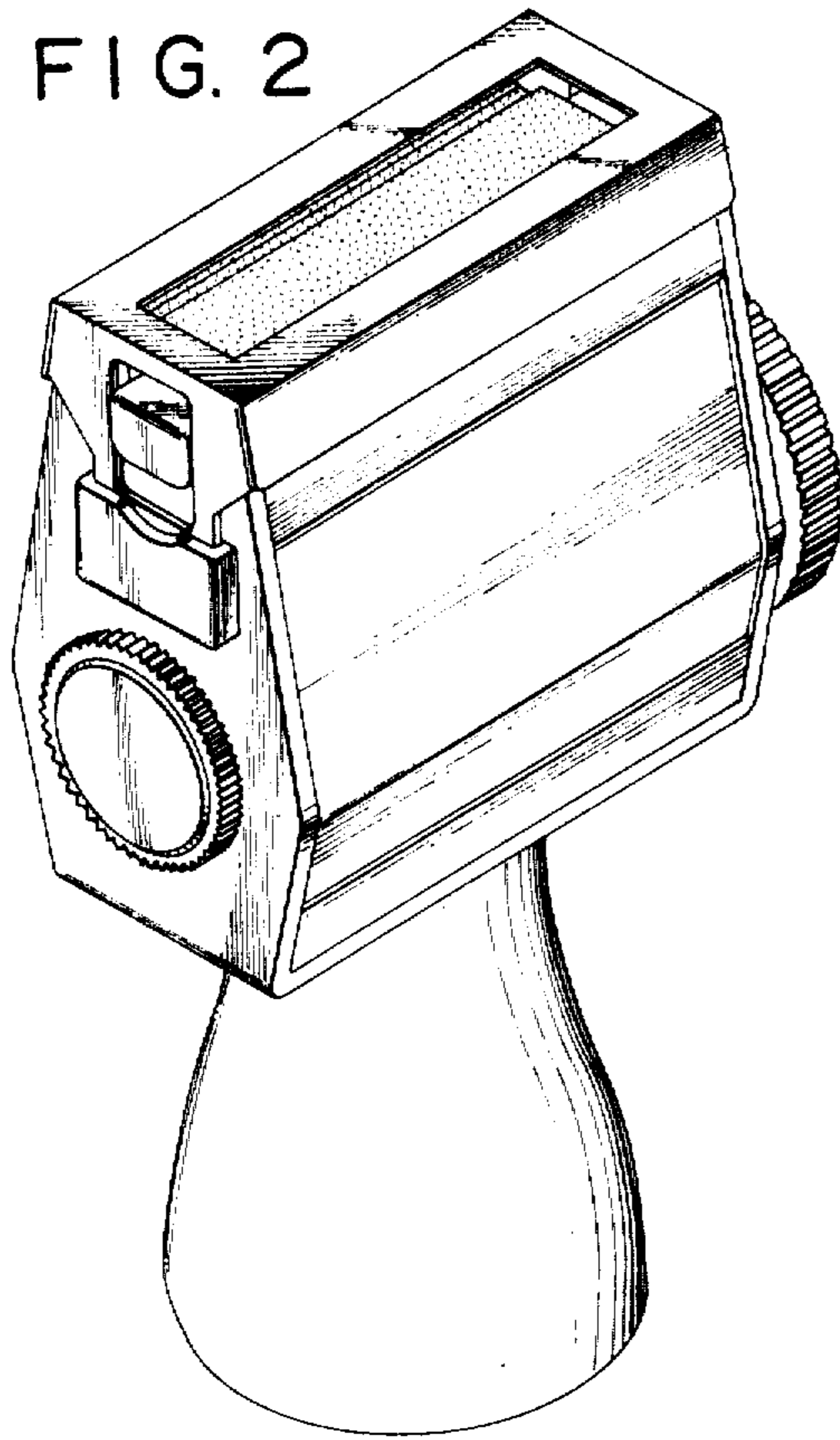


FIG. 4

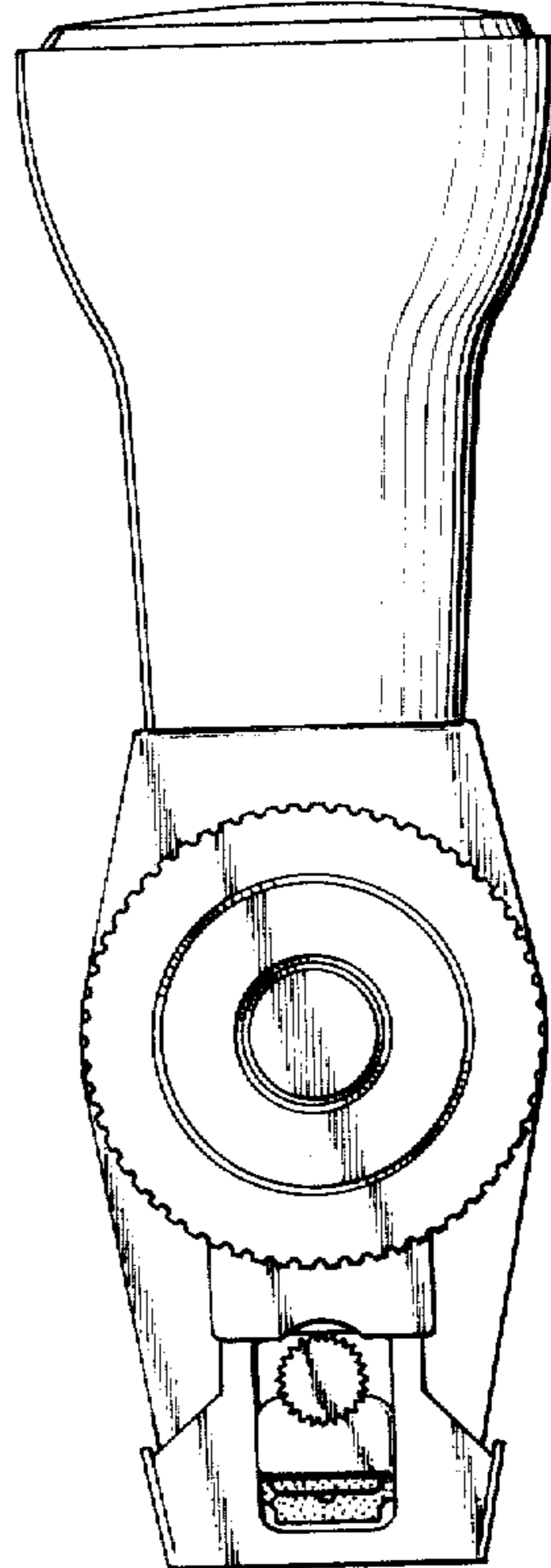


FIG. 6

