

[54] **VEHICLE WHEEL**

[75] Inventor: **Wolfgang E. F. Benke**, Frankfurt,
Fed. Rep. of Germany

[73] Assignee: **Centra Leichtmetall-Räder GmbH**,
Hassloch, Fed. Rep. of Germany

[**] Term: **14 Years**

[21] Appl. No.: **213,628**

[22] Filed: **Dec. 5, 1980**

[30] **Foreign Application Priority Data**

Jun. 9, 1980 [DE] Fed. Rep. of Germany 7 AR
290/80

[51] Int. Cl. **D12-16**
[52] U.S. Cl. **D12/211**

[58] **Field of Search** D12/209, 211; 301/64 R,
301/64 SD, 65, 66

[56] **References Cited**

U.S. PATENT DOCUMENTS

D. 253,884 1/1980 Giugiaro D12/209
D. 258,504 3/1981 Schinella D12/211

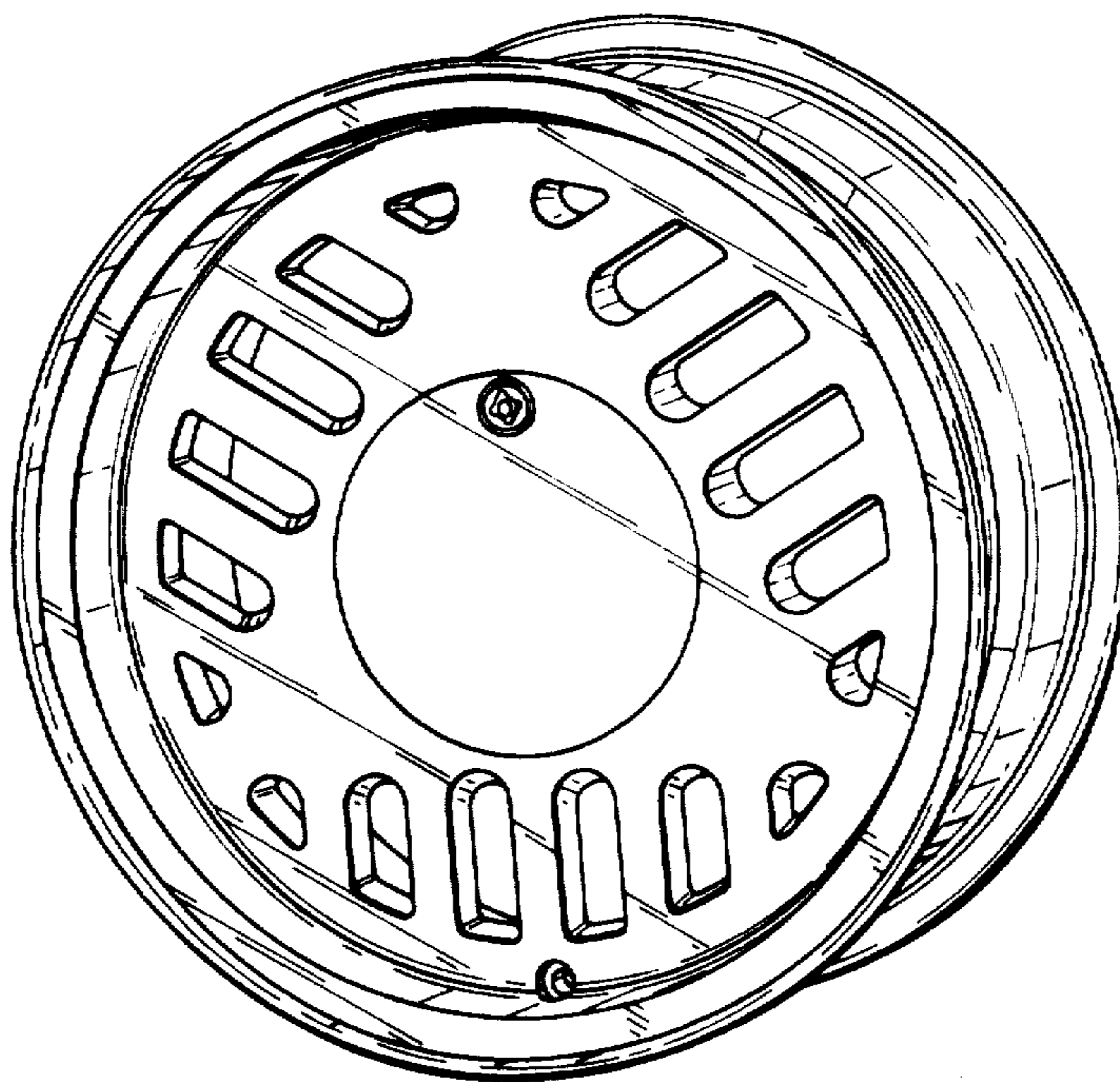
Primary Examiner—James M. Gandy
Attorney, Agent, or Firm—Toren, McGeady & Stanger

[57] **CLAIM**

The ornamental design for a vehicle wheel, as shown.

DESCRIPTION

FIG. 1 is a perspective view of a vehicle wheel showing
my new design;
FIG. 2 is an end elevational view thereof;
FIG. 3 is a front elevational view thereof; and
FIG. 4 is a rear elevational view thereof.



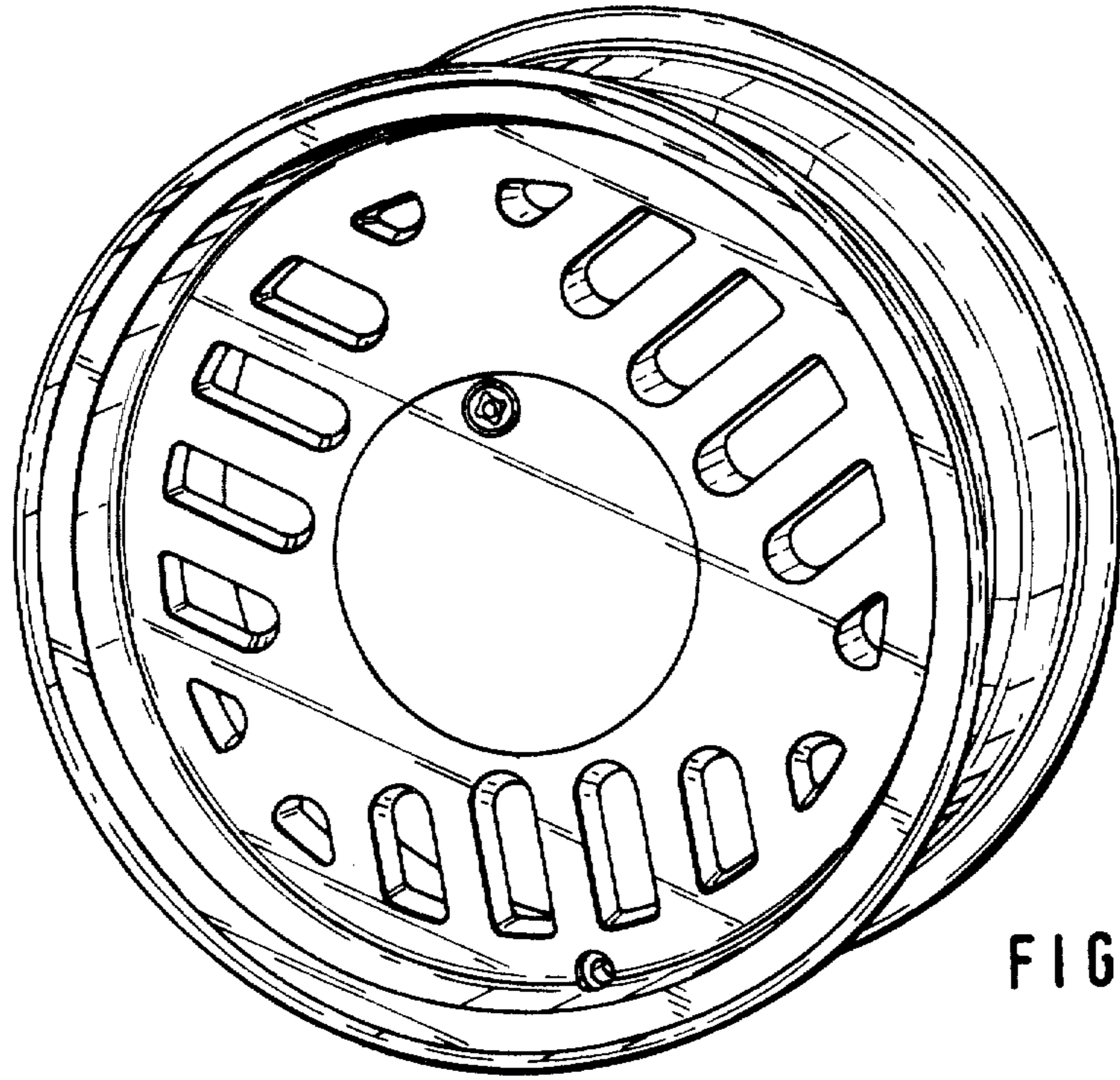


FIG. 1

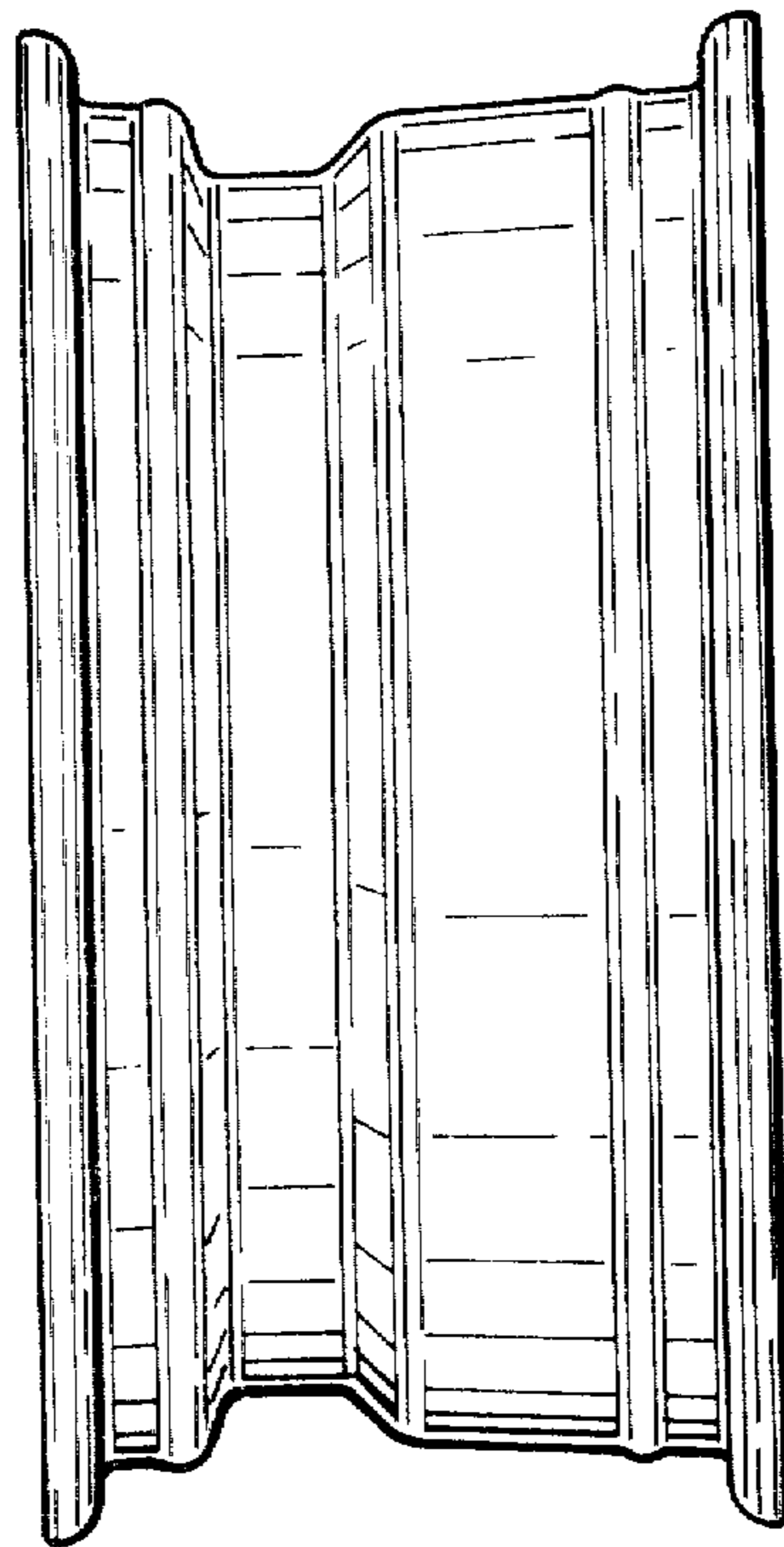


FIG. 2

FIG. 3

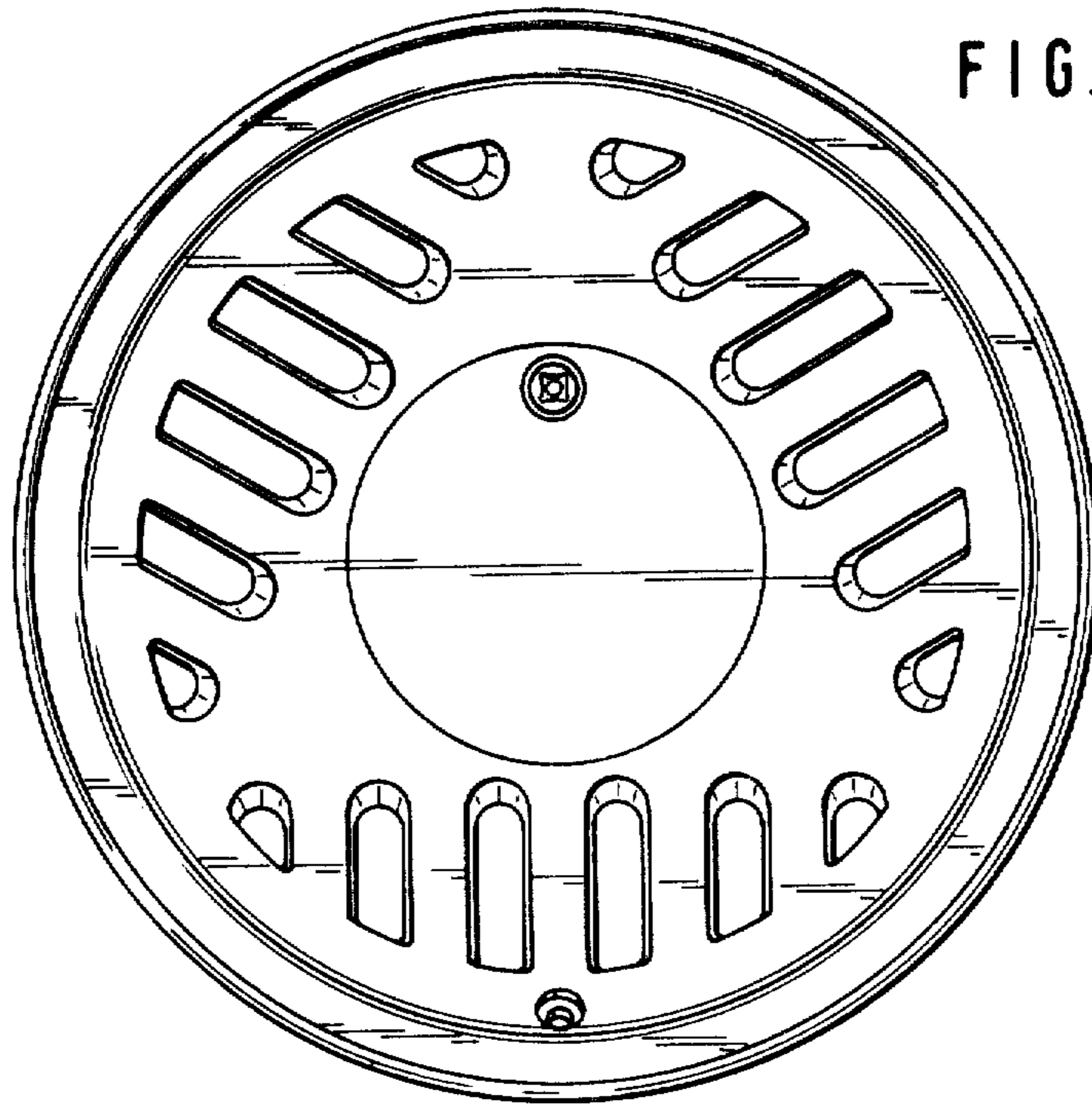


FIG. 4

