

[54] **SCOREKEEPING DEVICE**
[76] **Inventor:** Louis J. DeChristopher, 69-511 Iberia Ct., Rancho Mirage, Calif. 92270
[**] **Term:** 14 Years
[21] **Appl. No.:** 188,759
[22] **Filed:** Sep. 19, 1980
[51] **Int. Cl.** D10-99
[52] **U.S. Cl.** D10/46.1; D10/32
[58] **Field of Search** D10/46.1, 32; 273/148 R; 235/114

3,122,851 3/1964 Sepe 235/114
3,747,171 7/1973 Montague, Jr. D10/32

Primary Examiner—Melvin B. Feifer
Attorney, Agent, or Firm—Fulwider, Patton, Rieber, Lee & Utecht

[57] **CLAIM**

The ornamental design for a scorekeeping device, substantially as shown and described.

DESCRIPTION

FIG. 1 is a right front perspective view of a scorekeeping device showing my design;
FIG. 2 is a plan view thereof;
FIG. 3 is a right elevation thereof (the left side being the same);
FIG. 4 is a front end view thereof (the back end view being the same); and
FIG. 5 is a bottom plan view thereof.

[56] **References Cited**

U.S. PATENT DOCUMENTS

D. 234,529 3/1975 Trager D10/46.1
439,450 10/1890 Ward 235/14
2,838,239 6/1958 Dom 235/114

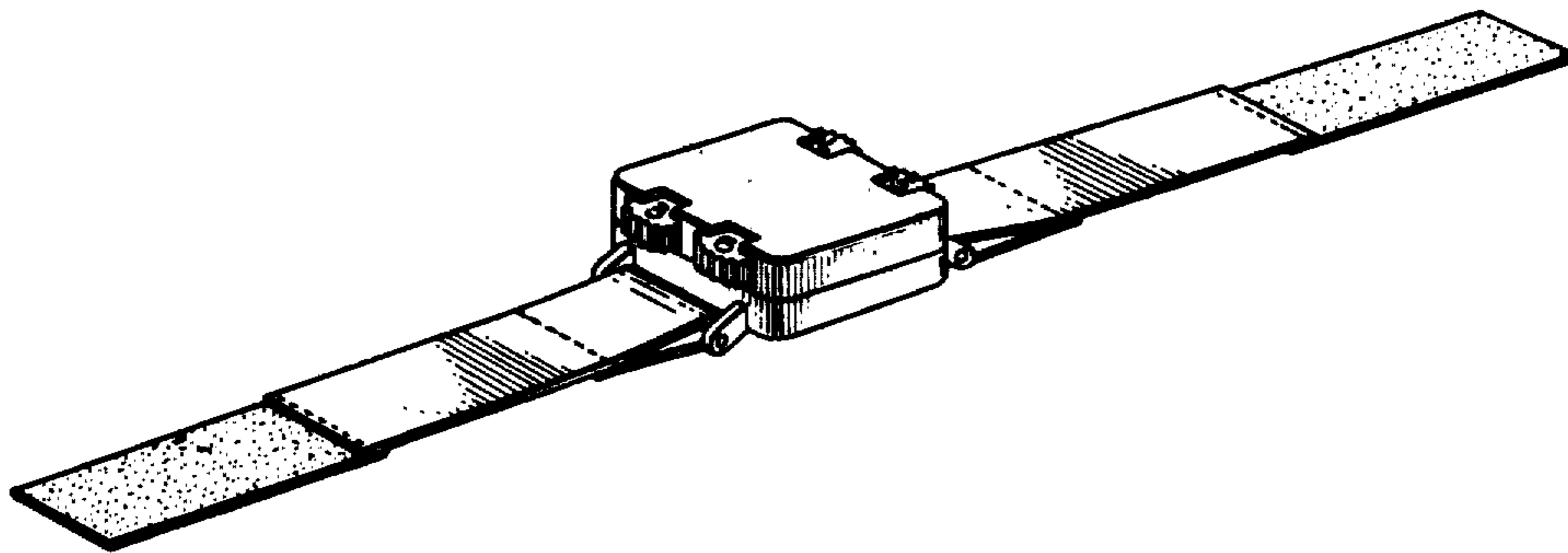


FIG. 1.

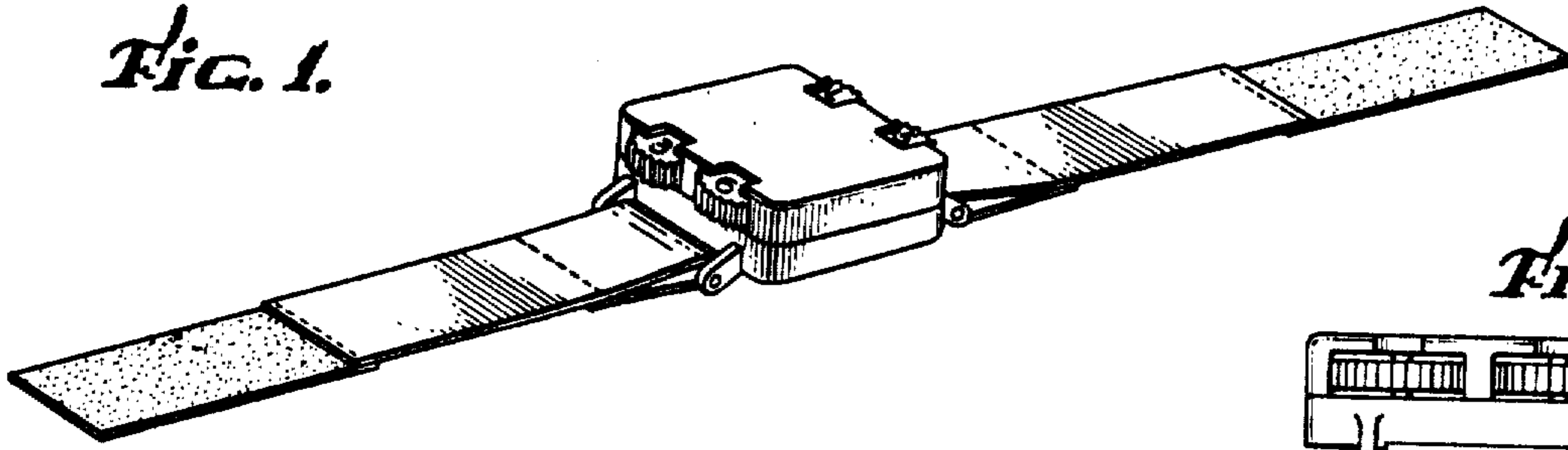


FIG. 4.

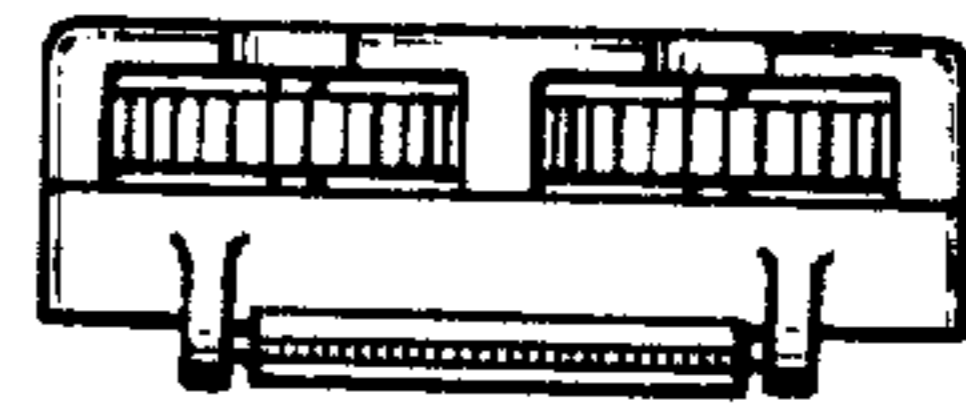


FIG. 2.

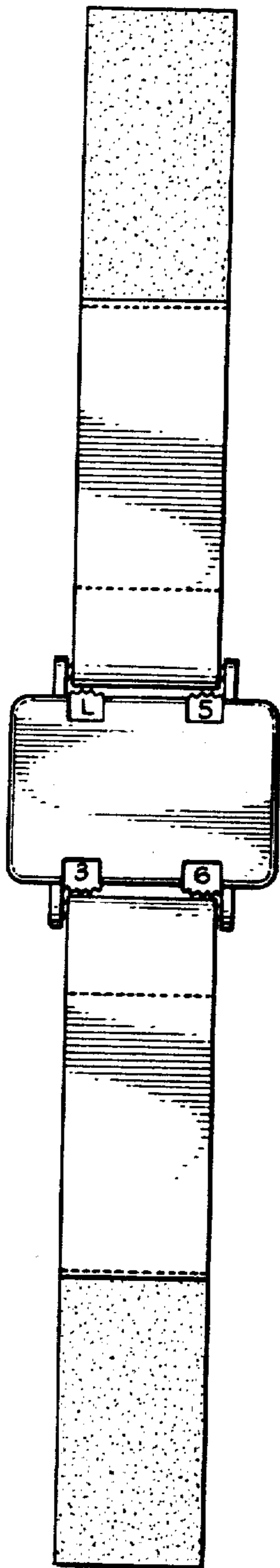


FIG. 3.

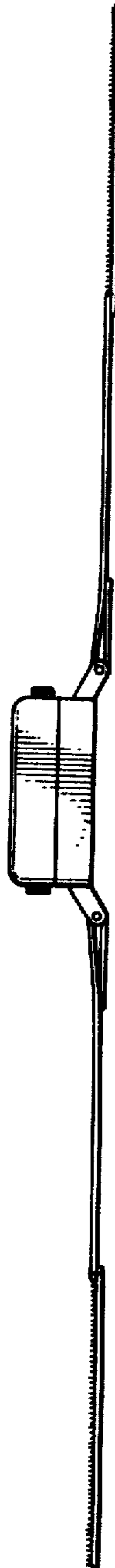


FIG. 5.

