

[54] MICROWAVE OVEN

[75] Inventors: Masamichi Yamamura, Osaka; Toshio Harada, Nara, both of Japan

[73] Assignee: Matsushita Electric Industrial Co., Ltd., Osaka, Japan

[**] Term: 14 Years

[21] Appl. No.: 208,461

[22] Filed: Nov. 19, 1980

[30] Foreign Application Priority Data

May 20, 1980 [JP] Japan 55-19947

[51] Int. Cl. D7-02

[52] U.S. Cl. D7/351

[58] Field of Search D7/128; 219/10.55, 385, 219/386, 391, 392, 393, 399, 400-405; 126/1 R, 19 R; 312/236; D15/104, 106

[56] References Cited

U.S. PATENT DOCUMENTS

- D. 252,494 7/1979 Mori et al. D7/128
- D. 256,210 8/1980 Takahashi et al. D7/128
- D. 261,468 10/1981 Takahashi et al. D7/128

Primary Examiner—Catherine E. Kemper
Attorney, Agent, or Firm—Sughrue, Mion, Zinn, Macpeak & Seas

[57] CLAIM

The ornamental design for a microwave oven, as shown.

DESCRIPTION

FIG. 1 is a front, top and right side perspective view of a microwave oven showing our new design;
 FIG. 2 is a rear, bottom and left side perspective view thereof;
 FIG. 3 is a top plan view thereof;
 FIG. 4 is a right side elevational view thereof; and
 FIG. 5 is a left side elevational view thereof.

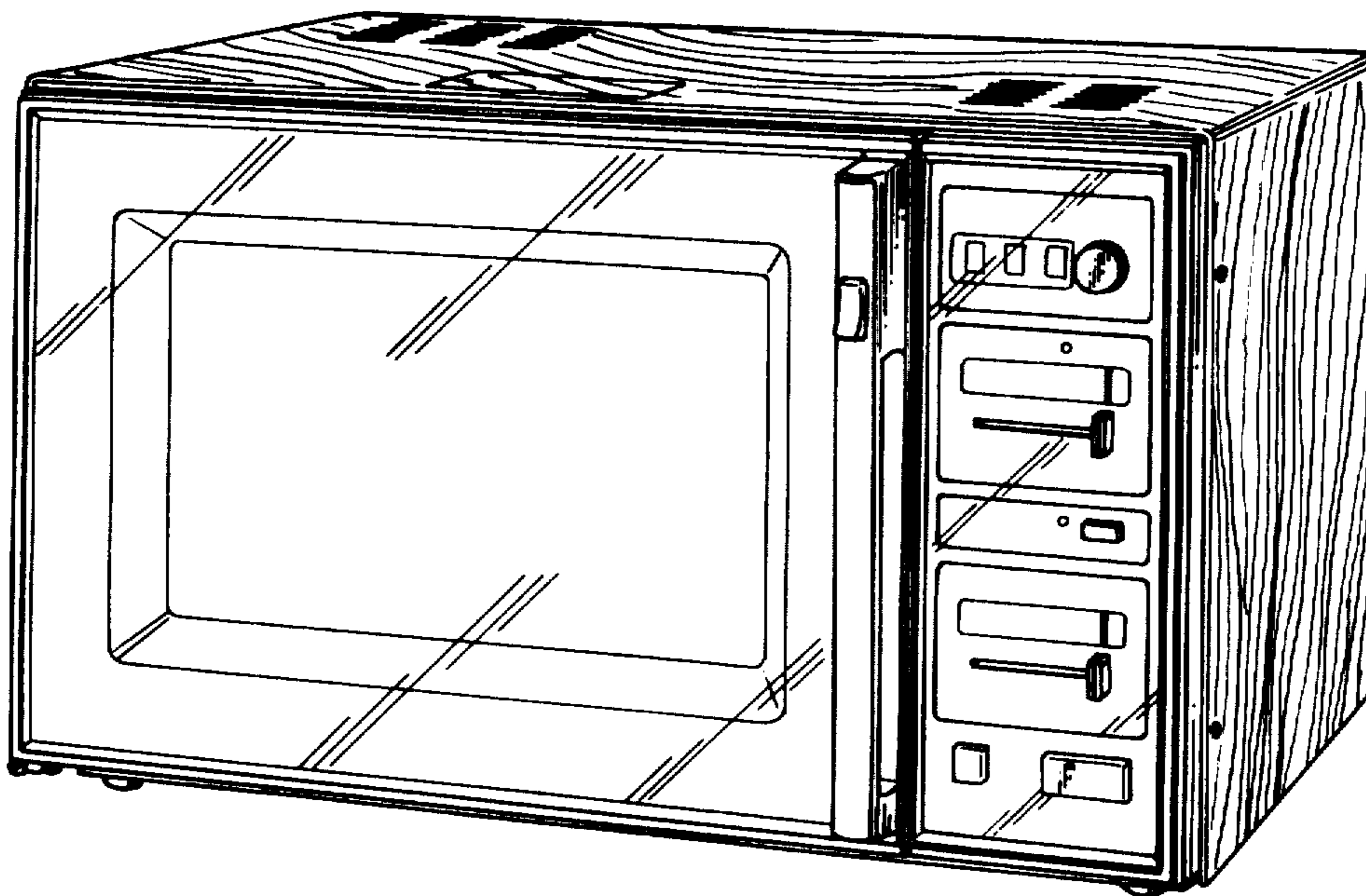


Fig. 1

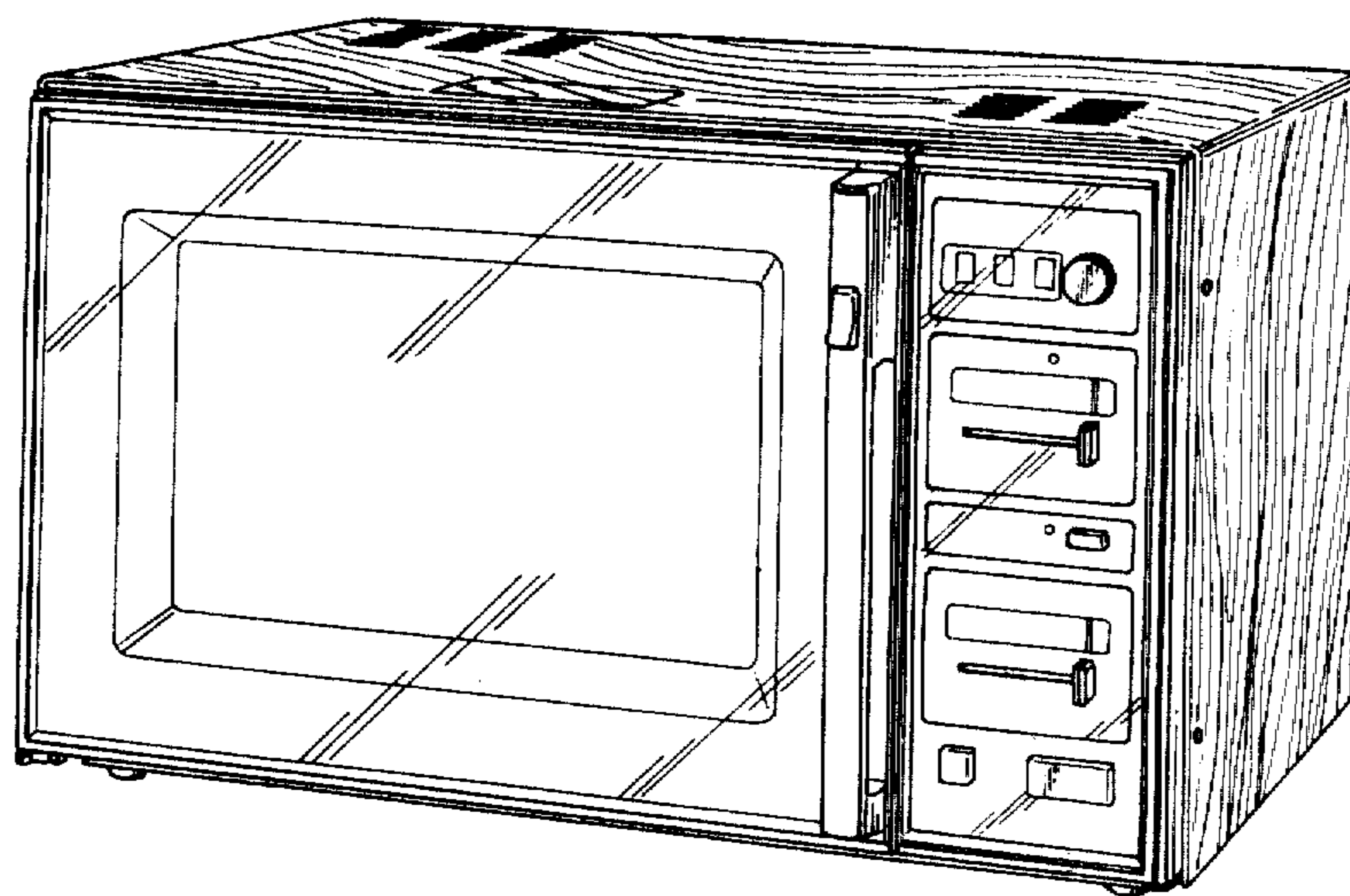


Fig. 2

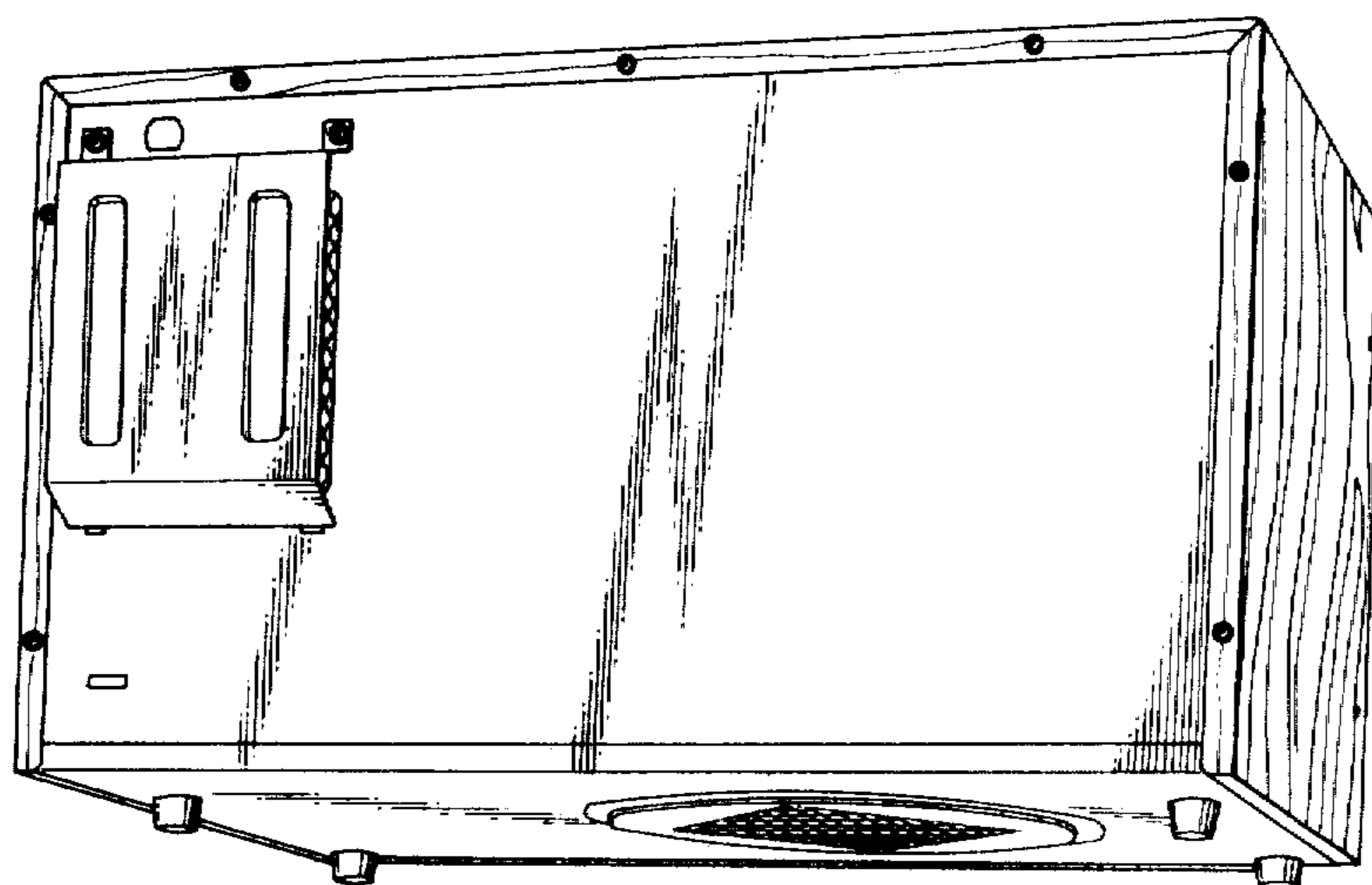


Fig. 3

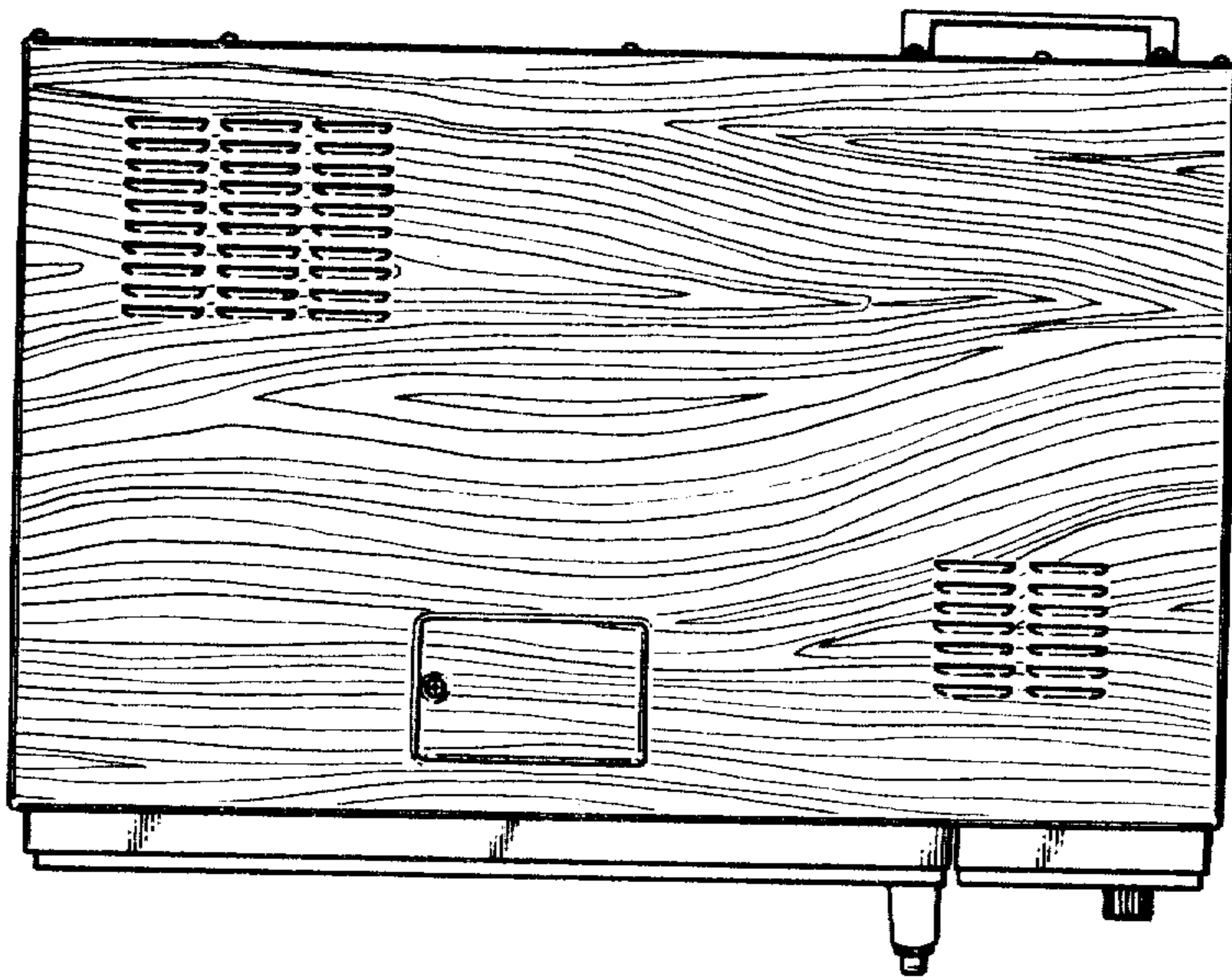


Fig. 4

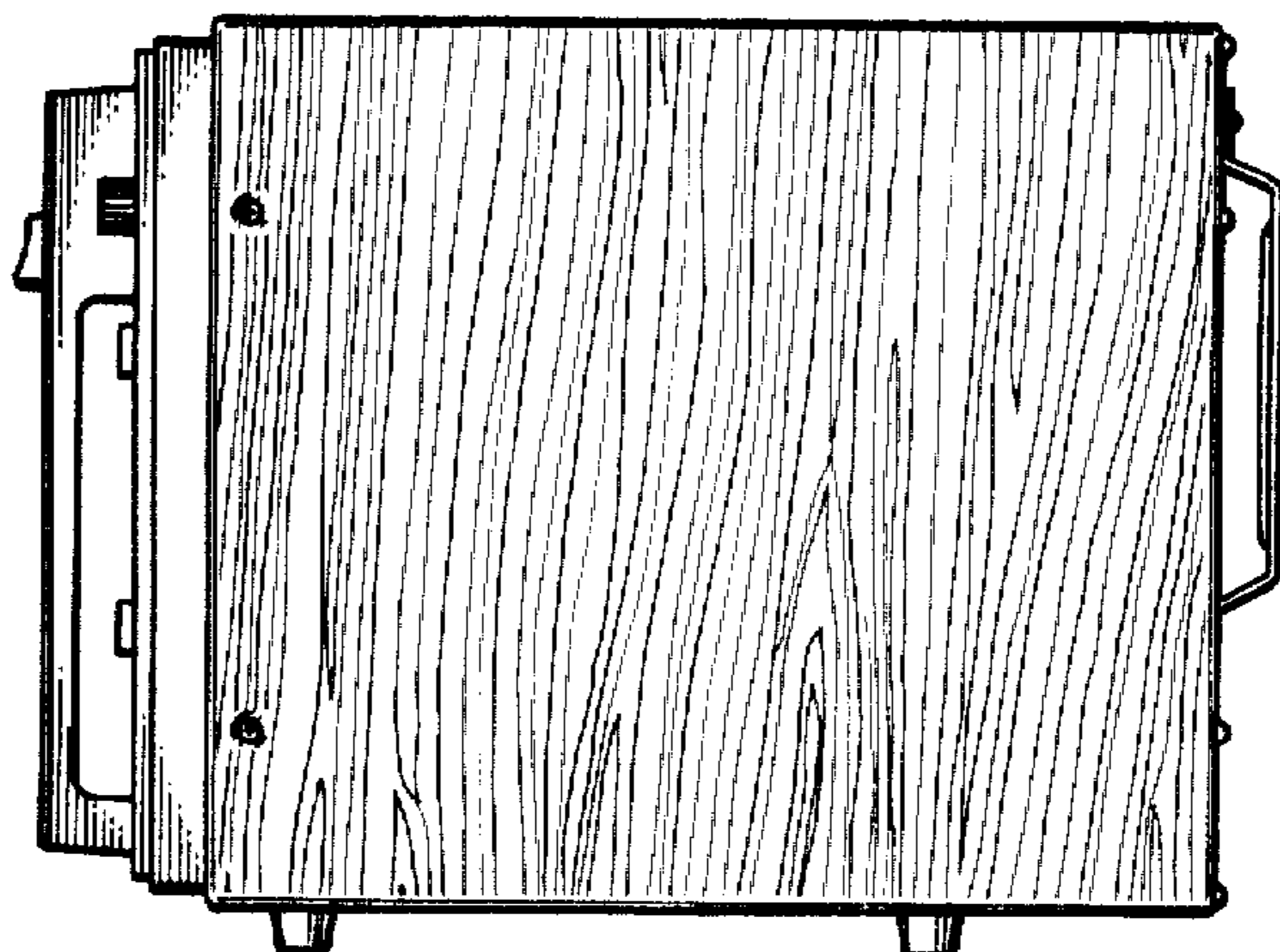


Fig. 5

