

[54] COOKING GRILL

[75] Inventor: Frank W. Beller, Aurora, Ill.

[73] Assignee: Belson Manufacturing Co., Inc., Aurora, Ill.

[**] Term: 14 Years

[21] Appl. No.: 216,659

[22] Filed: Dec. 16, 1980

[51] Int. Cl. D7-02

[52] U.S. Cl. D7/332

[58] Field of Search D7/107, 108, 109, 110; 126/9 R, 9 A, 9 B, 25 R, 25 A, 25 AA, 25 B, 25 C, 29, 30

[56] References Cited

U.S. PATENT DOCUMENTS

- D. 254,118 2/1980 Shaneour D7/109
- 3,053,245 9/1962 Beller D7/109 X
- 3,119,387 1/1964 Beller D7/109 X

- 3,583,385 6/1971 Beller 126/25 A
- 4,180,050 12/1979 Sizemore 126/25 A

Primary Examiner—Catherine E. Kemper
Attorney, Agent, or Firm—Howard H. Darbo

[57] CLAIM

The ornamental design for a cooking grill, as shown and described.

DESCRIPTION

FIG. 1 is an isometric view of the cooking grill showing my new design;
 FIG. 2 is a side elevational view thereof, the other side being a mirror image thereof;
 FIG. 3 is a cross-sectional view thereof taken at the line 3-3 of FIG. 1;
 FIG. 4 is a top plan view thereof;
 FIG. 5 is a front elevational view thereof;
 FIG. 6 is a bottom plan view thereof, and
 FIG. 7 is a rear elevational view of the cooking grill showing my new design.

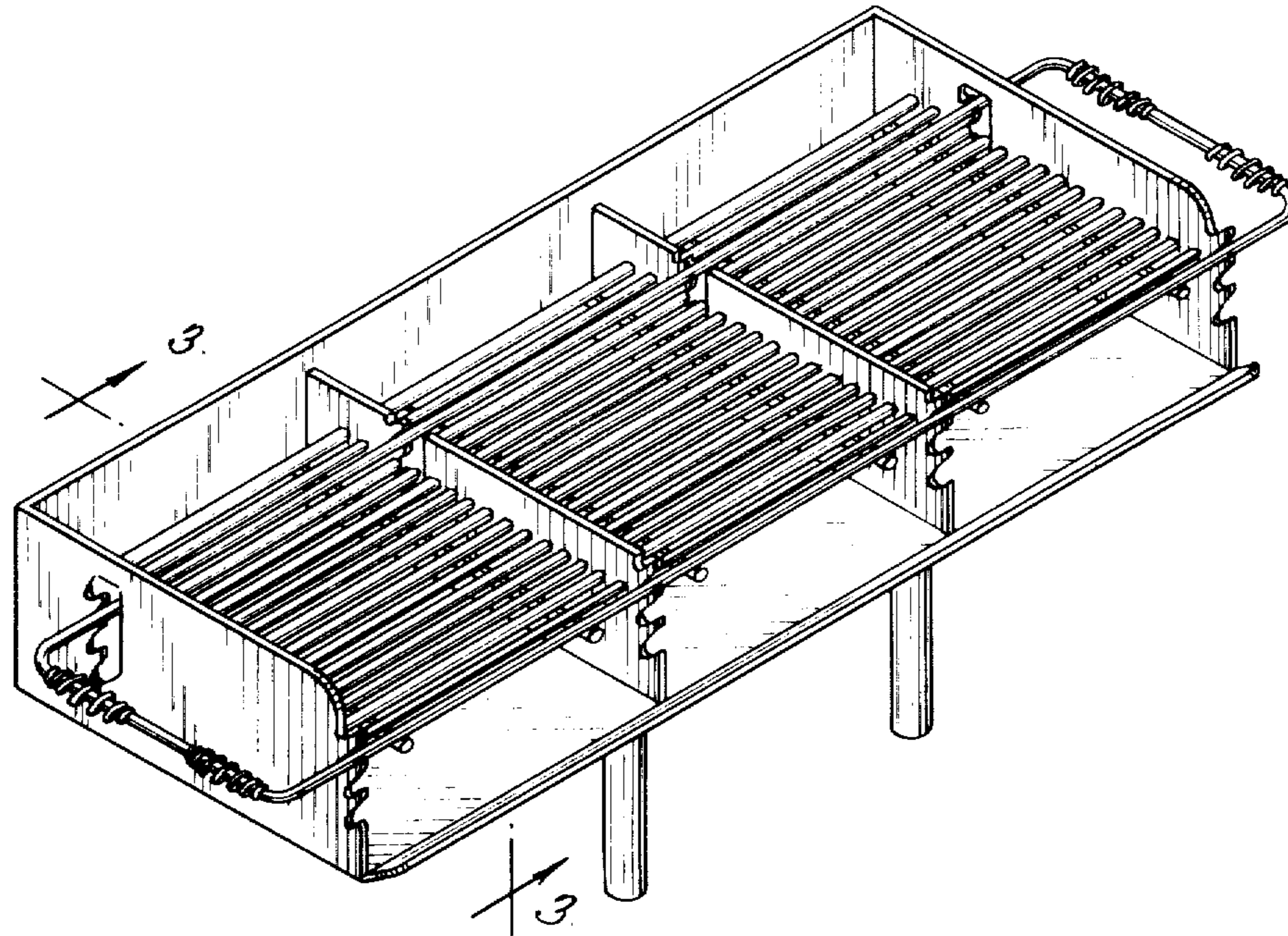


Fig. 1.

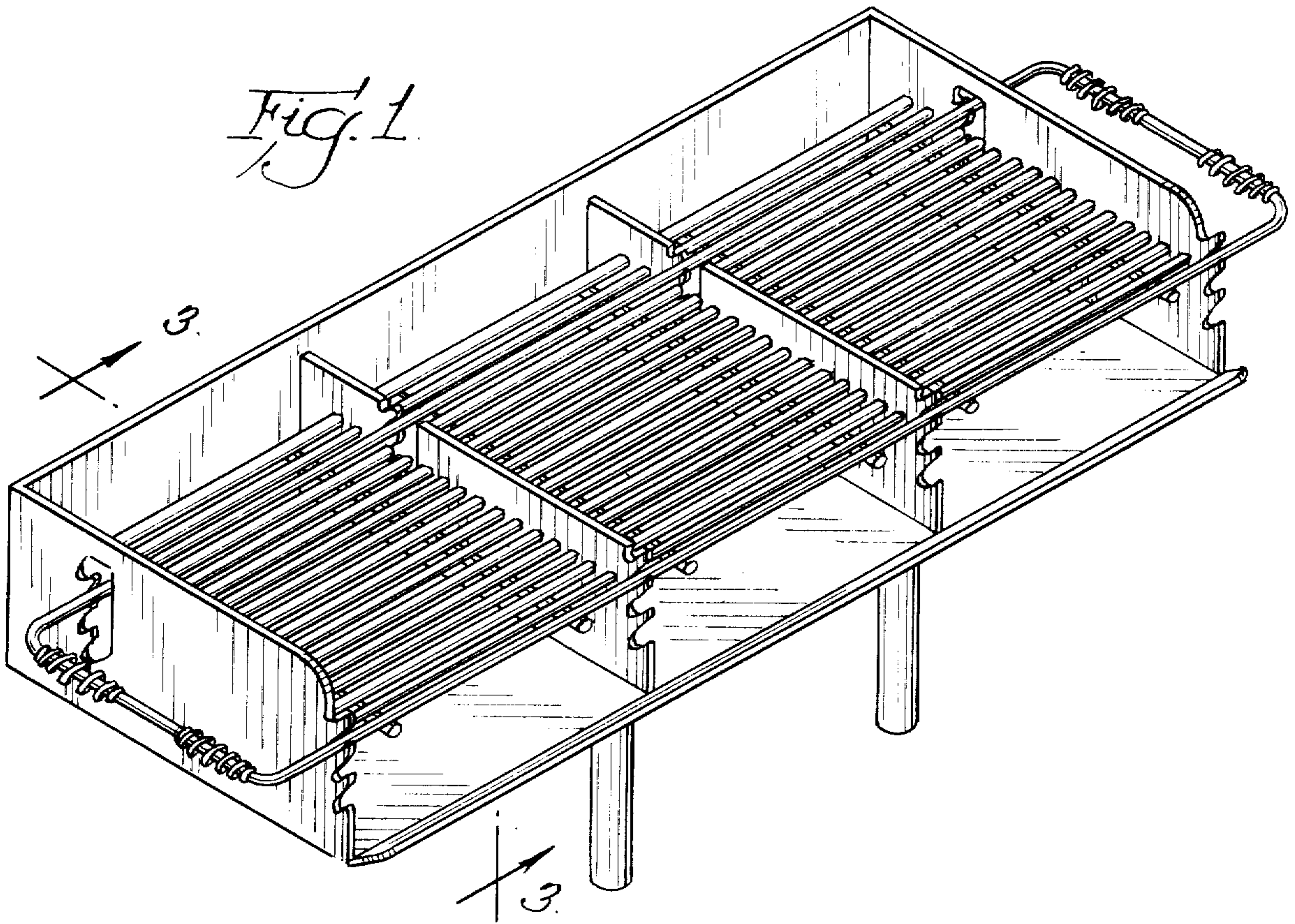


Fig. 2.

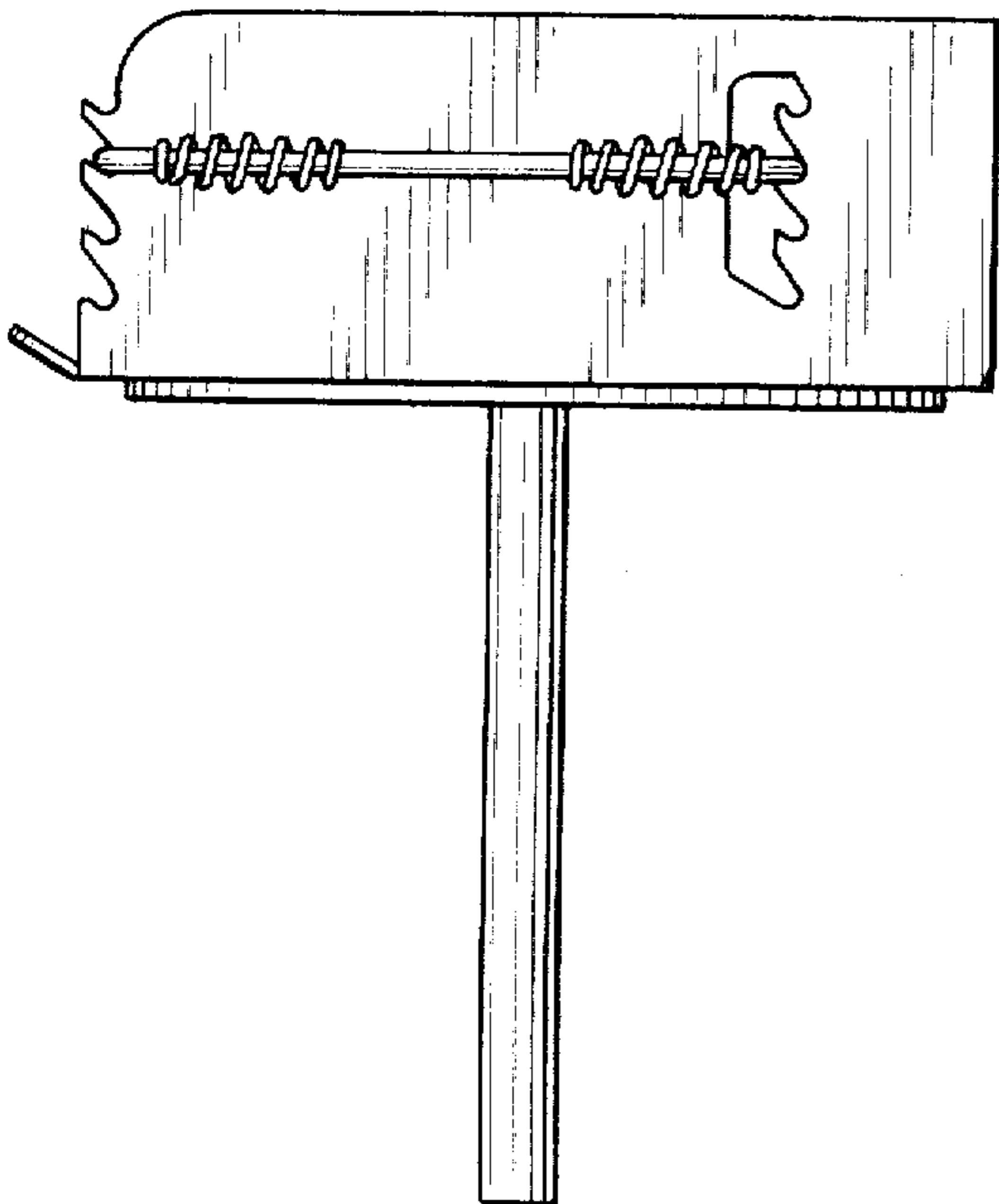
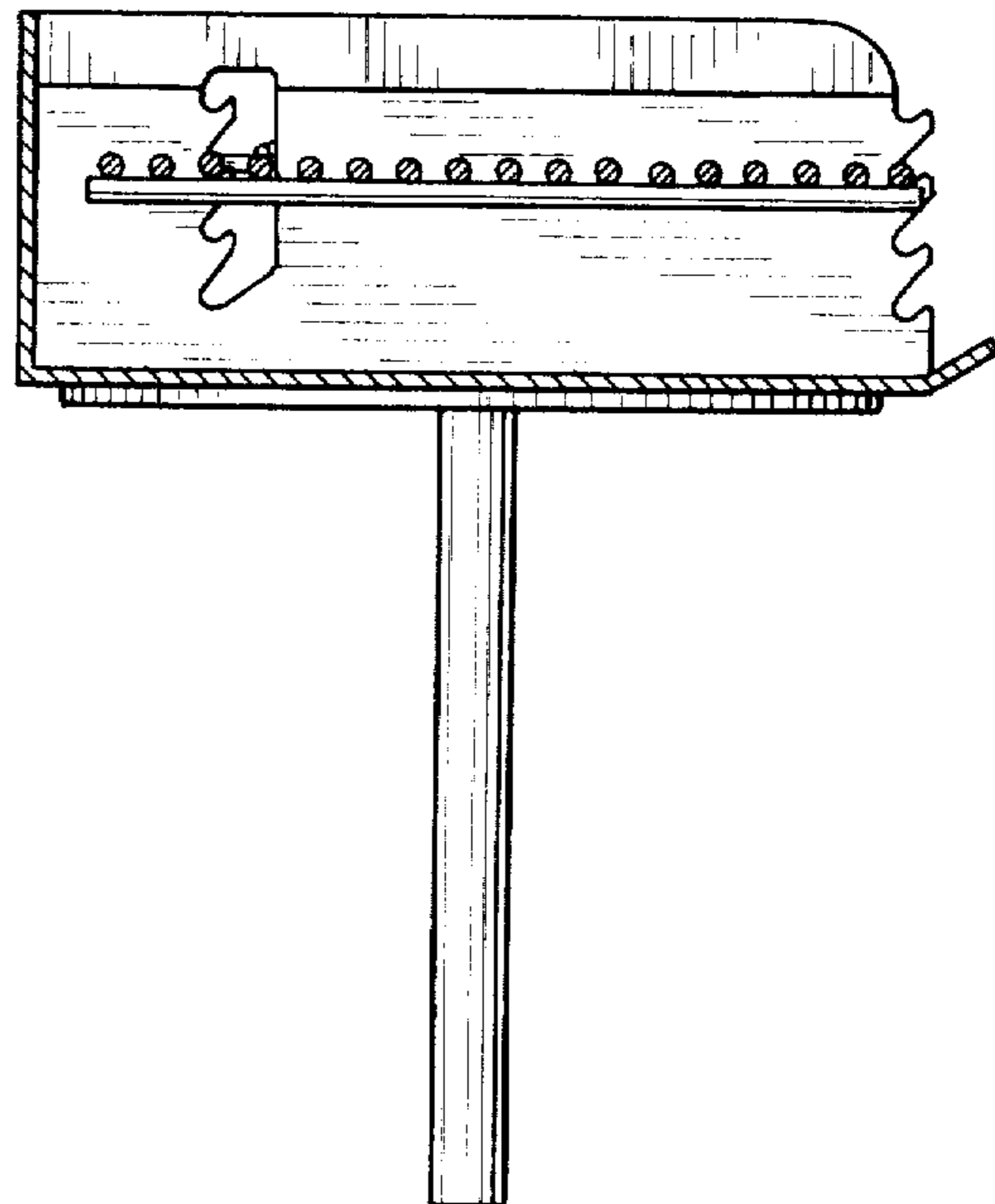


Fig. 3.



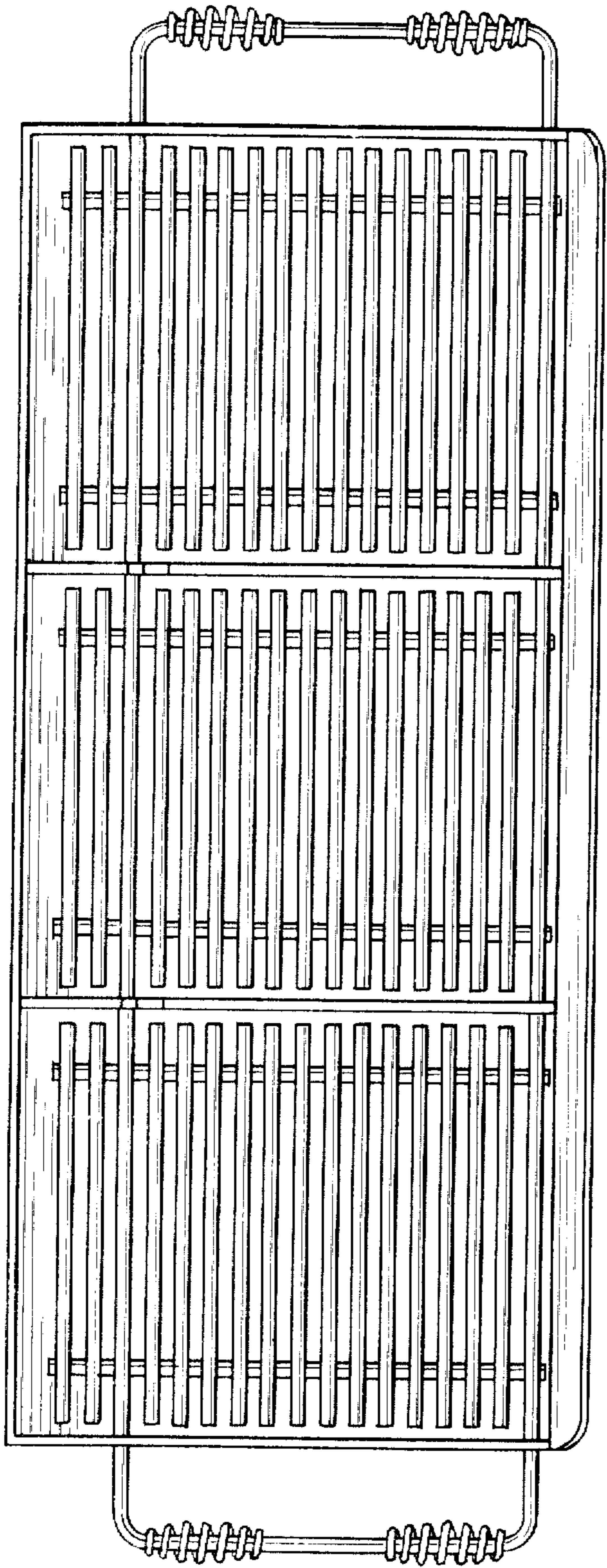


FIG. 4

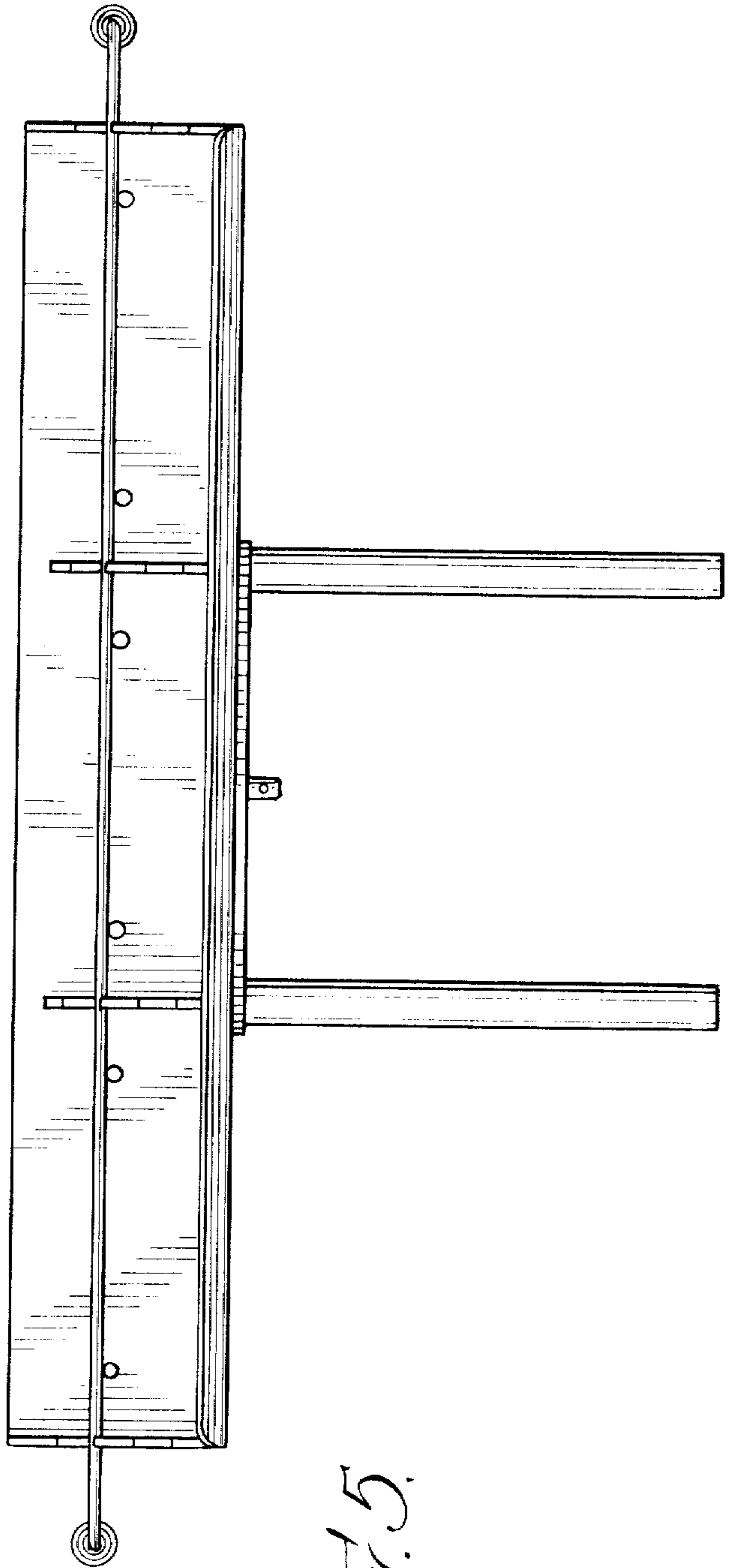


FIG. 5

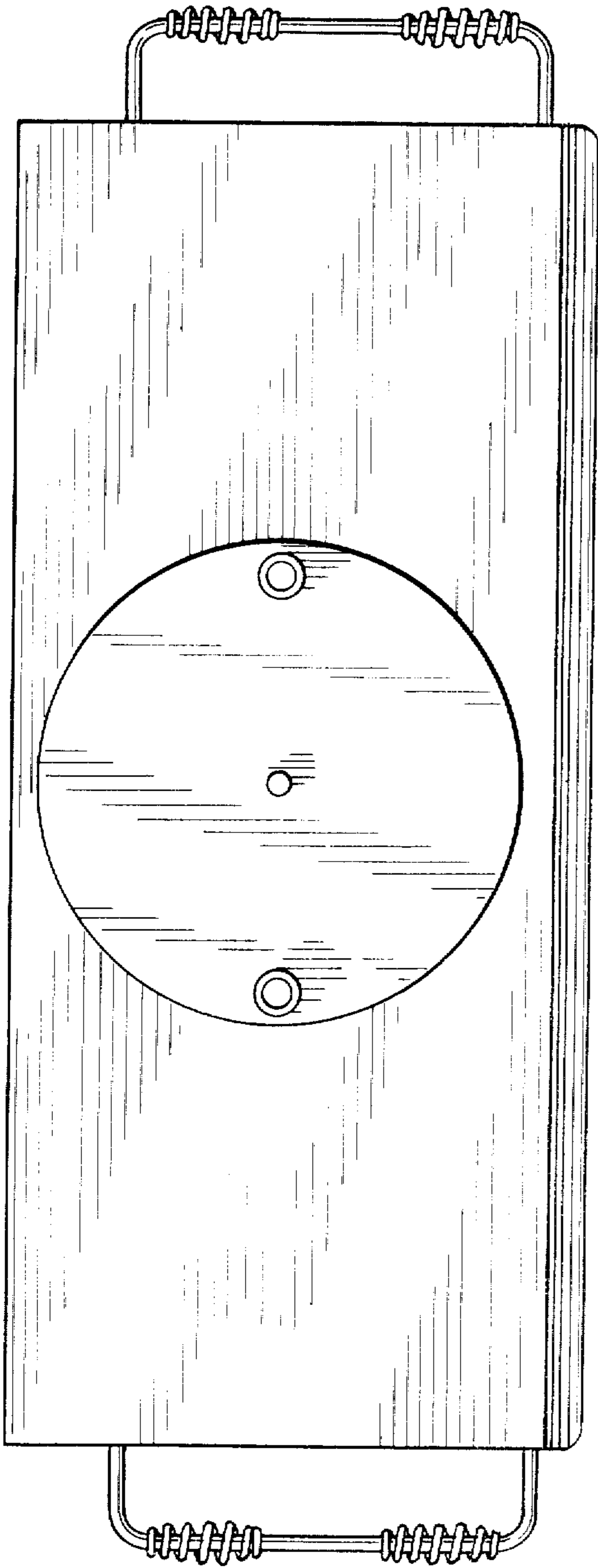


Fig. 6

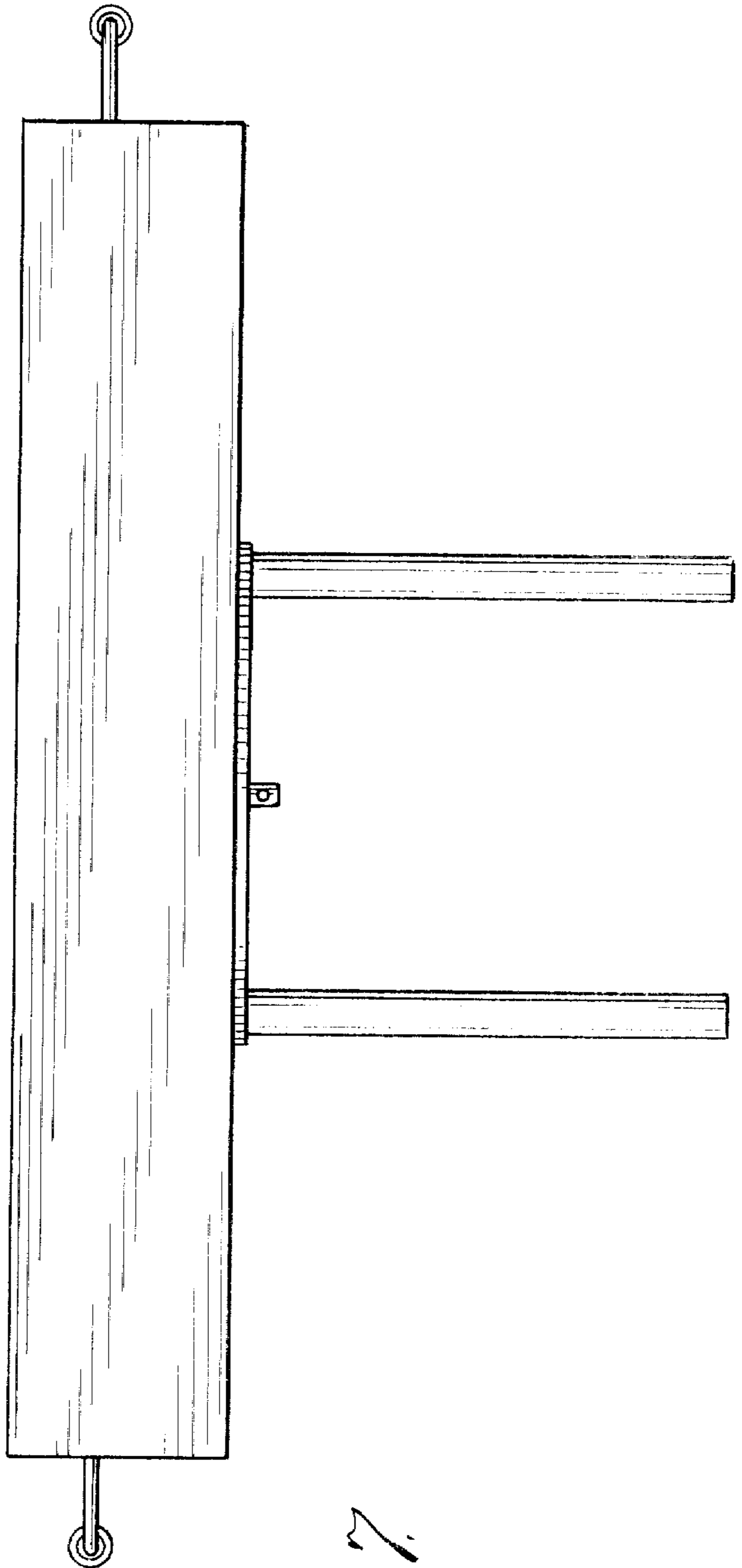


Fig. 7