

[54] **COMBINED SEPARATOR, STRAINER AND MEASURING CUP**

[76] Inventor: **John S. Doyel, 404 W. 20th St., New York, N.Y. 10011**

[**] Term: **14 Years**

[21] Appl. No.: **245,066**

[22] Filed: **Mar. 18, 1981**

[51] Int. Cl. **D07-04; D10-04**

[52] U.S. Cl. **D7/50; D7/47; D7/317**

[58] Field of Search **D7/50, 47, 64, 65, 59; 222/189, 465 R; 210/514, 515**

[56] **References Cited**

U.S. PATENT DOCUMENTS

D. 194,988	4/1963	Storr	D7/64
239,693	4/1881	Ayer et al.	222/189 X
D. 250,244	11/1978	Antolino	D7/64
D. 255,862	7/1980	Ferrin	D7/64
612,750	10/1898	McDougall	222/189
790,052	5/1905	Hardie et al.	222/189
2,583,335	1/1952	Jepson	210/514 X
4,099,654	7/1978	Antolino	D7/65 X

4,206,856 6/1980 Lobel et al. 210/514 X

OTHER PUBLICATIONS

Starcrest of California, Flyer, ©1980, Gravy-Strain Fat Separator shown #3-4957-1, holds 1½ cups.

Primary Examiner—Winifred E. Herrmann
Attorney, Agent, or Firm—Cooper, Dunham, Clark, Griffin & Moran

[57] **CLAIM**

The ornamental design for a combined separator, strainer and measuring cup, as shown and described.

DESCRIPTION

FIG. 1 is a perspective view of a combined separator, strainer and measuring cup showing my new design.
FIG. 2 is a top plan view thereof.
FIG. 3 is a side elevational view thereof.
FIG. 4 is a front elevational view thereof.
FIG. 5 is a bottom plan view thereof.
FIG. 6 is a back elevational view thereof.
FIG. 7 is a sectional view thereof along line 7-7 in FIG. 2.
FIG. 8 is a perspective view of optional inserts.
FIG. 9 is a perspective view of the optional inserts showing the side not visible in FIG. 8.

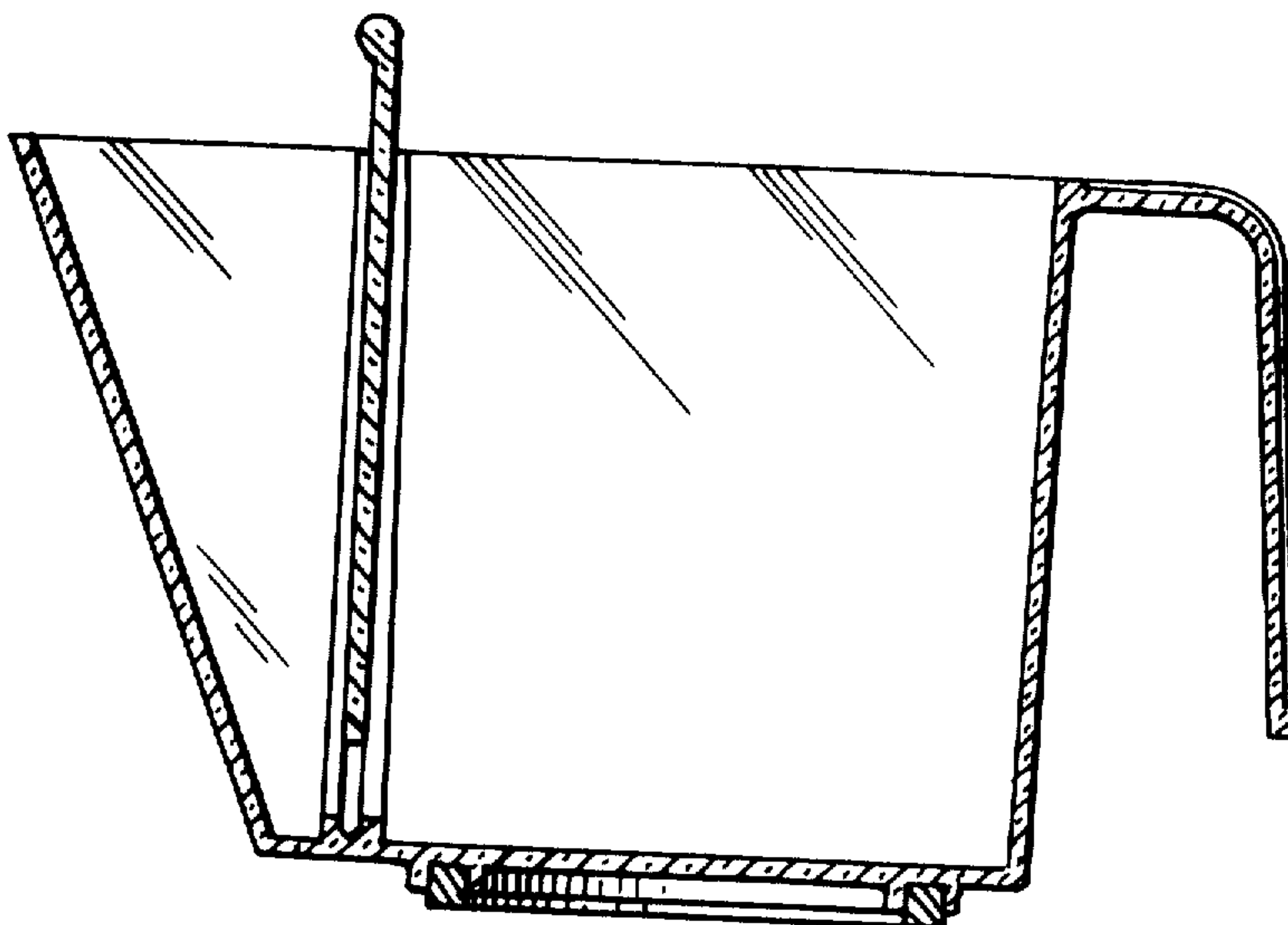
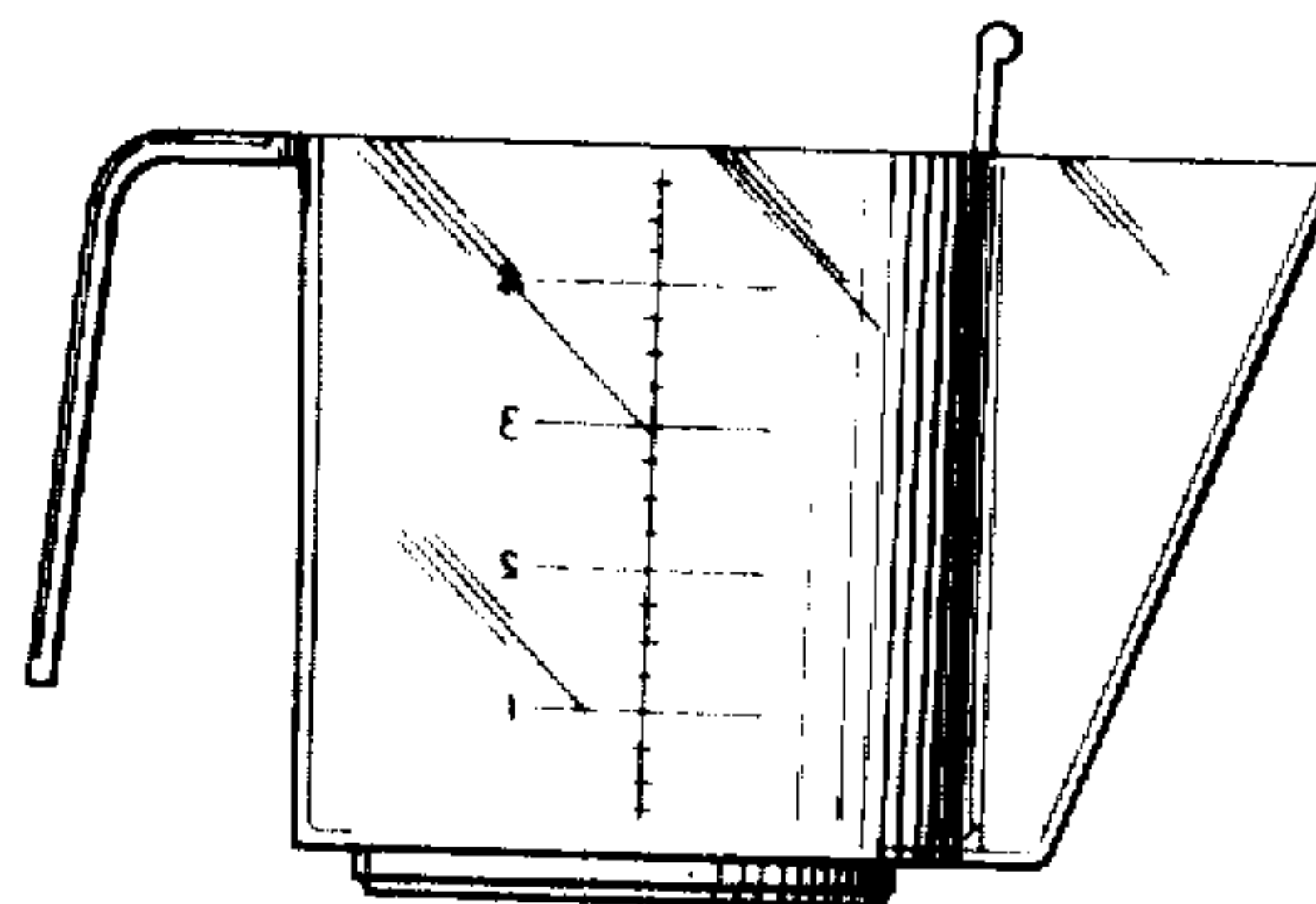
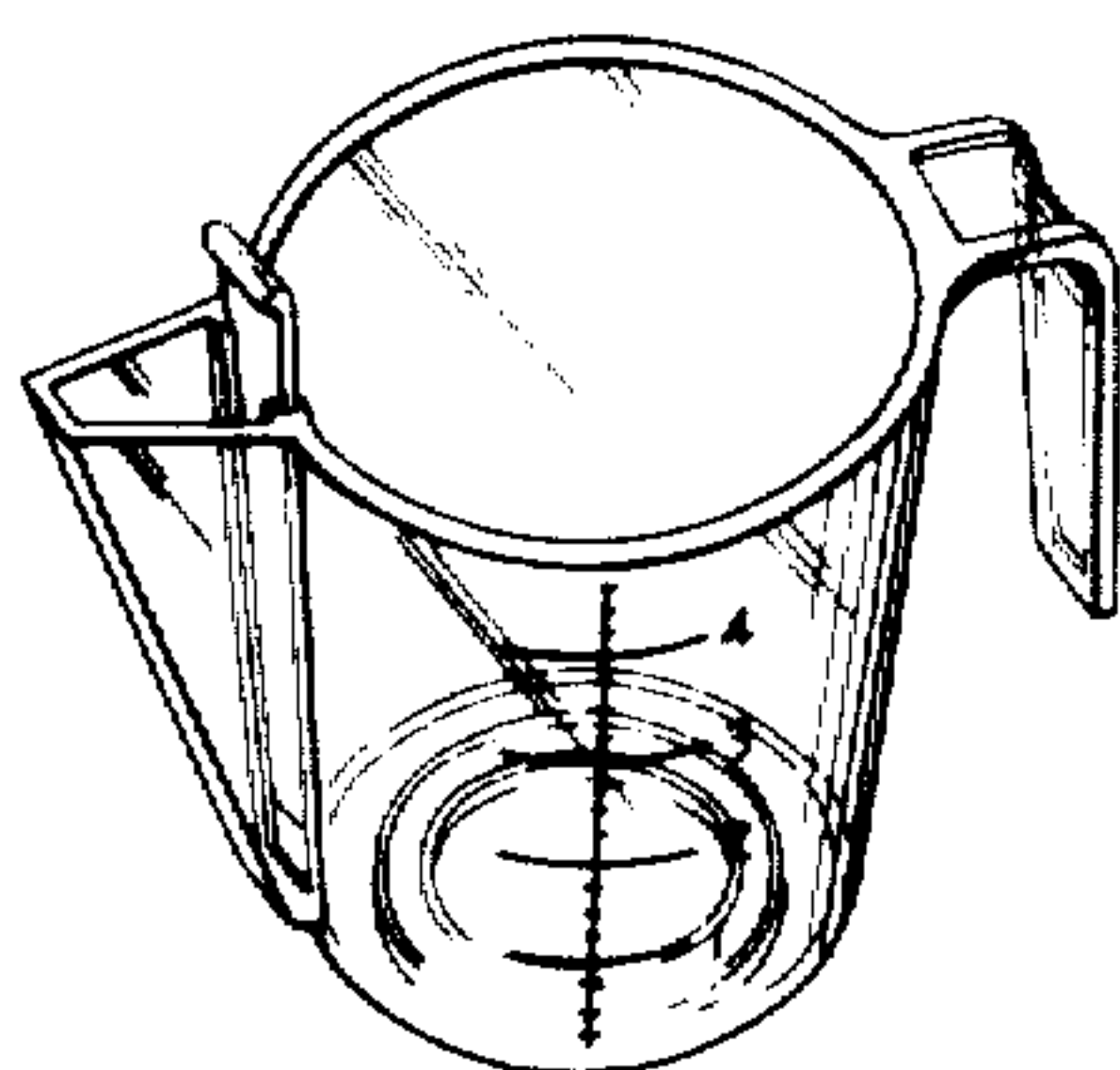


Fig. 1.

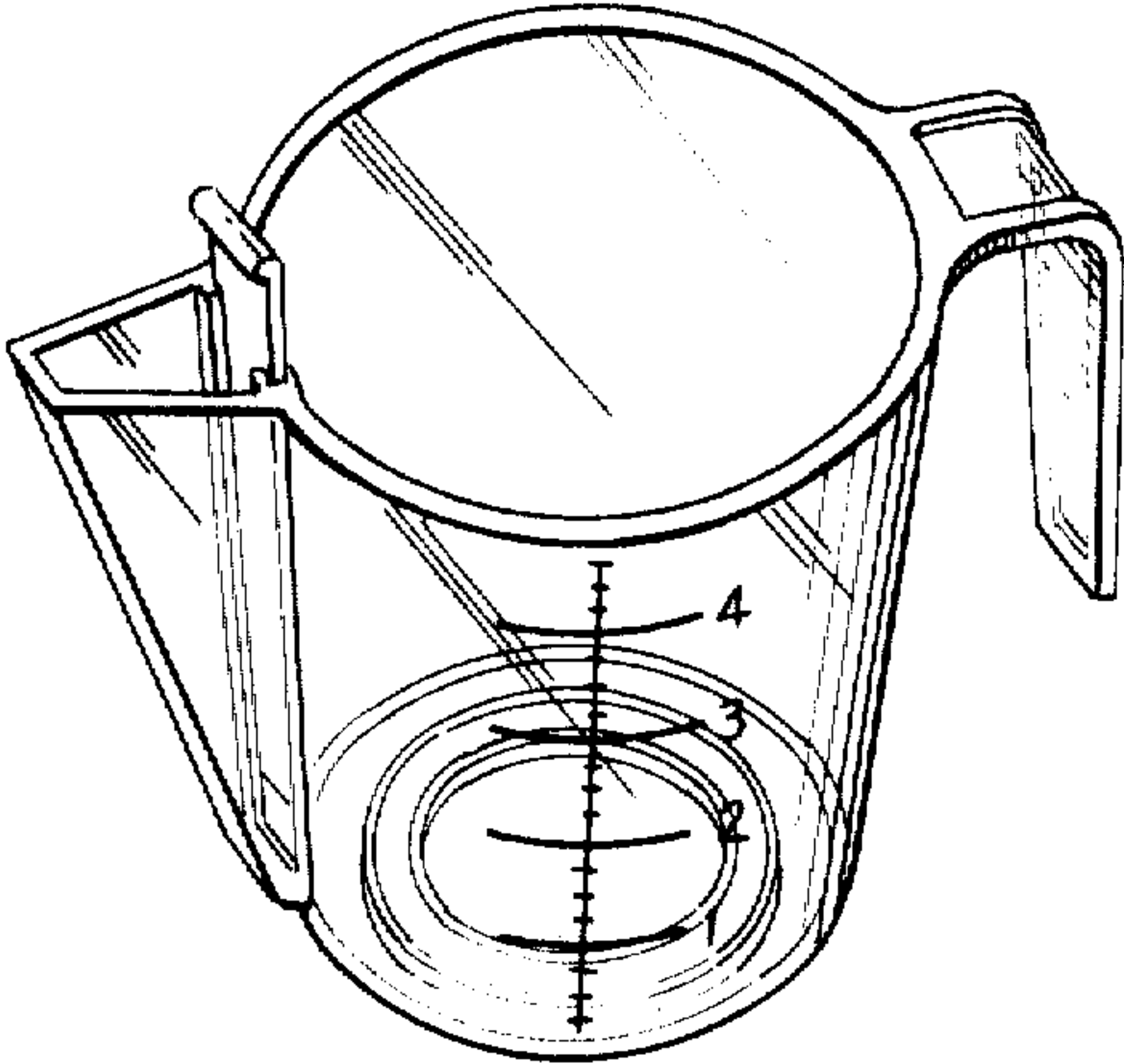


Fig. 2.

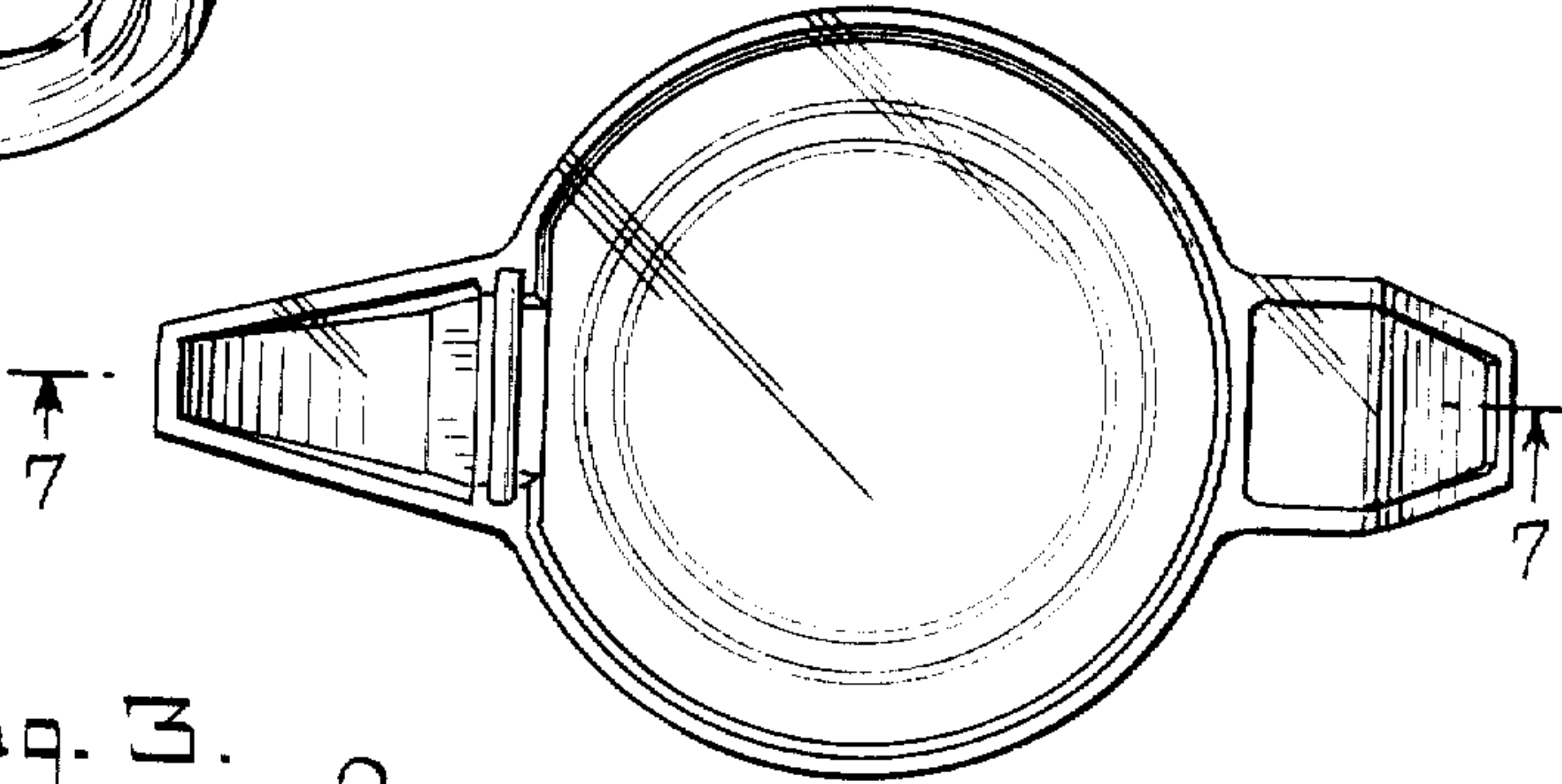


Fig. 3.

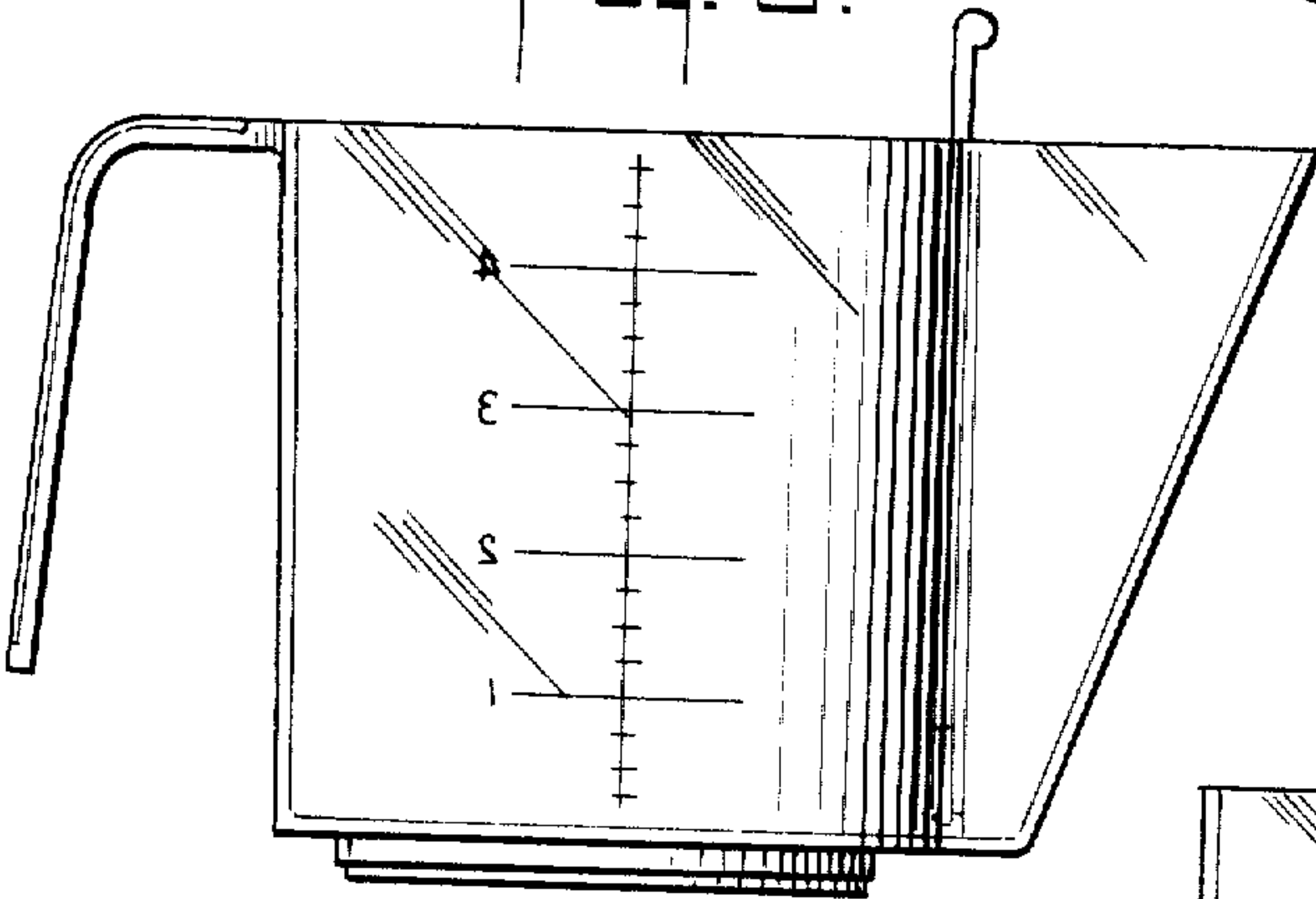


Fig. 4.

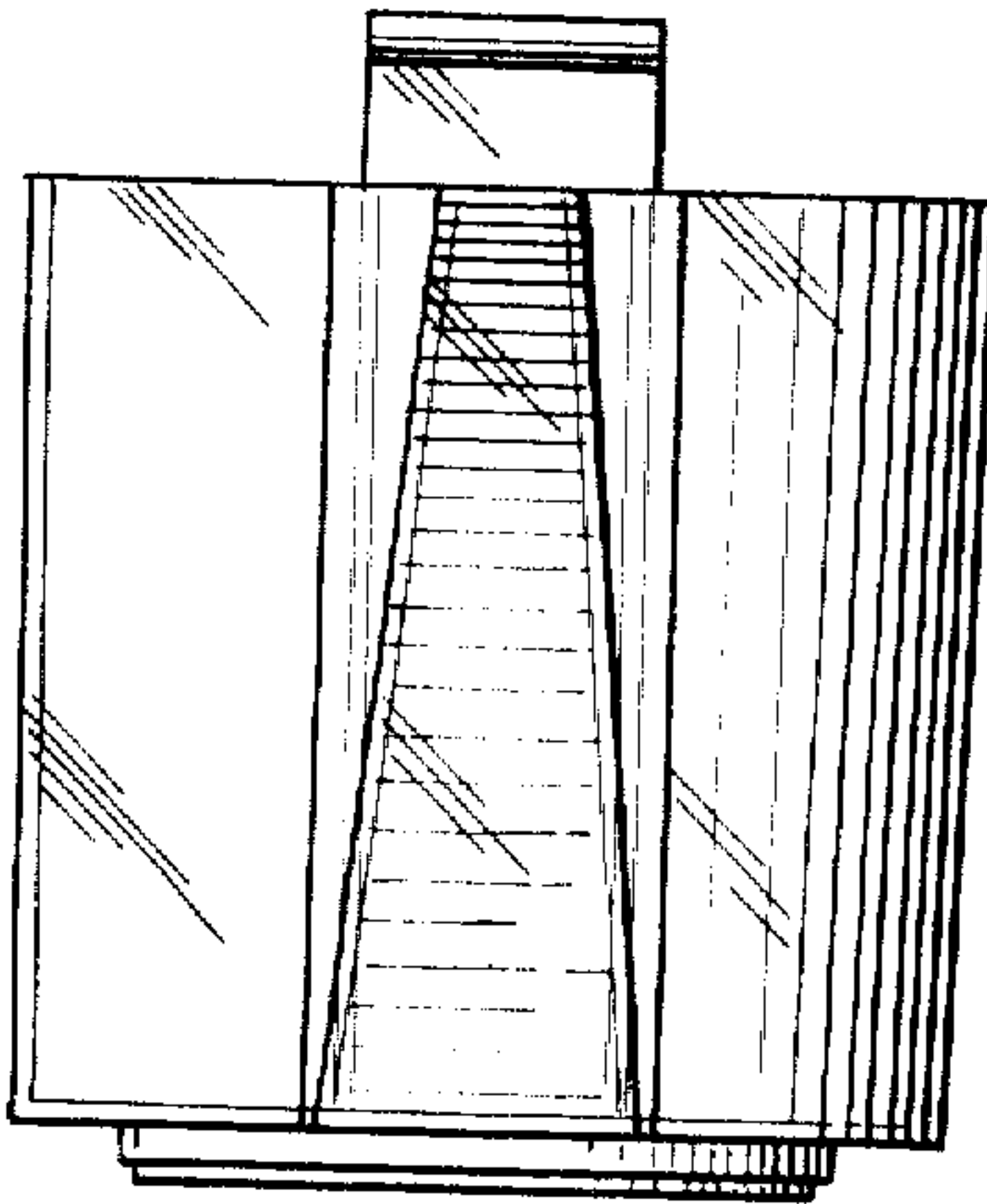


Fig. 5.

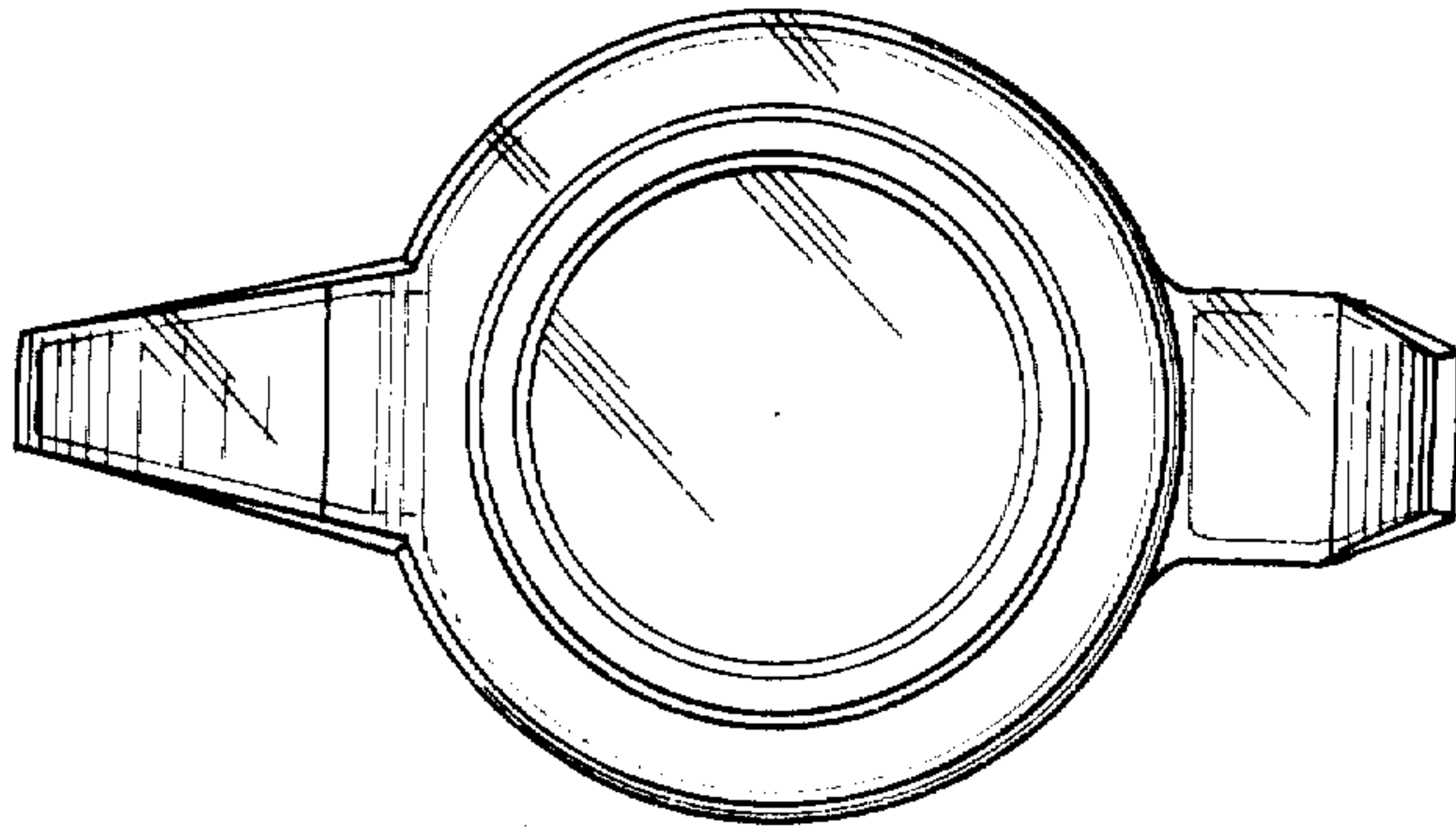


Fig. 7.

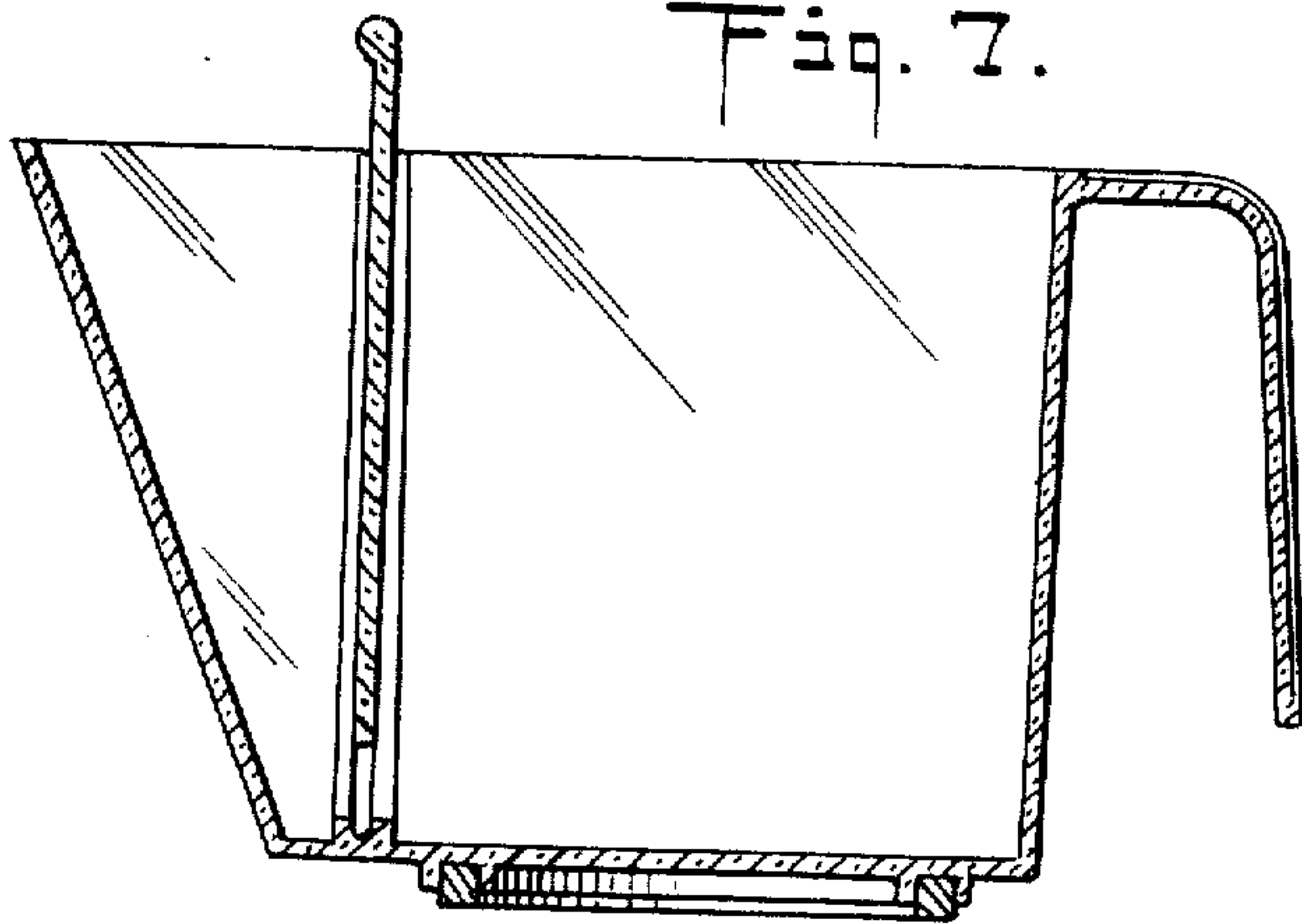


Fig. 8.

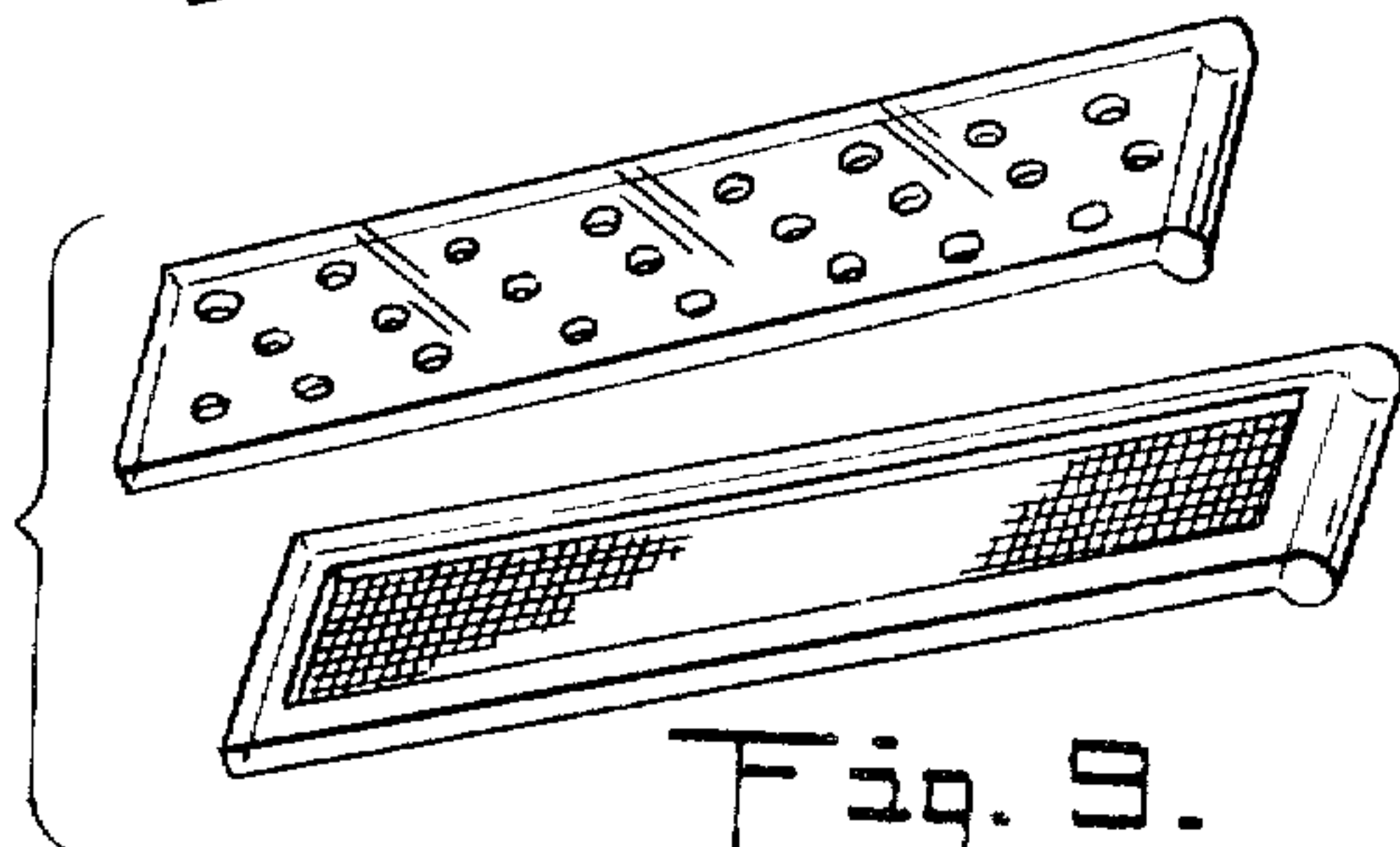
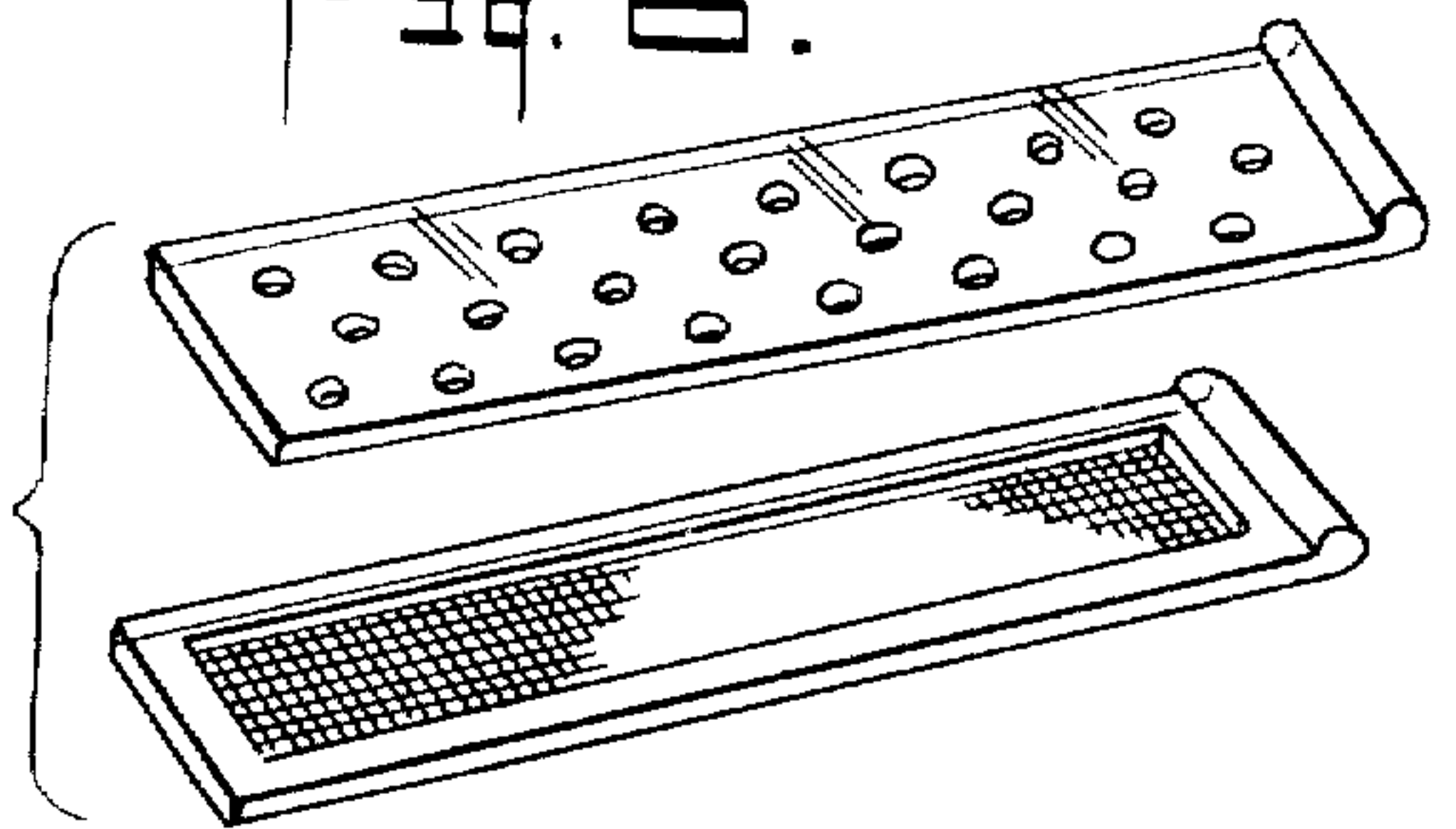


Fig. 9.

Fig. 6.

