

[54] **PRE-FLIGHT BUTLER TRAY**

[76] Inventor: **Charles H. Campton**, 525 Delaware Ave., Palmerton, Pa. 18071

[**] Term: **14 Years**

[21] Appl. No.: **184,625**

[22] Filed: **Sep. 5, 1980**

[51] Int. Cl. **D07-99**

[52] U.S. Cl. **D7/19; D7/38; D34/44**

[58] Field of Search **D7/41, 19, 37, 38, 3, D7/73, 74, 76; D3/24, 30.1, 73, 74, 75, 30.5; D34/40, 43, 44, 45, 46**

[56] **References Cited**

U.S. PATENT DOCUMENTS

D. 125,448	2/1941	Kennedy	D34/44
D. 193,313	7/1962	Peca	D34/44
D. 198,236	5/1964	Schaefer	D3/73 X
D. 200,020	1/1965	Reiss	D34/44

D. 219,188	11/1970	Joyce	D34/46
1,268,124	6/1918	Jennings	D3/74 X
3,887,103	6/1975	Spooner	211/60 T X

Primary Examiner—Winifred E. Herrmann
Attorney, Agent, or Firm—John S. Roberts, Jr.

[57] **CLAIM**

The ornamental design for a pre-flight butler tray, as shown and described.

DESCRIPTION

FIG. 1 is a perspective view of a pre-flight butler tray showing my new design;
FIG. 2 is a top plan view thereof;
FIG. 3 is an end view looking at FIG. 2 from the left side thereof;
FIG. 4 is a front view looking at FIG. 2 from the front thereof;
FIG. 5 is an end view looking at FIG. 2 from the right side thereof;
FIG. 6 is a back view looking at FIG. 2 from the rear side thereof; and
FIG. 7 is a bottom plan view.

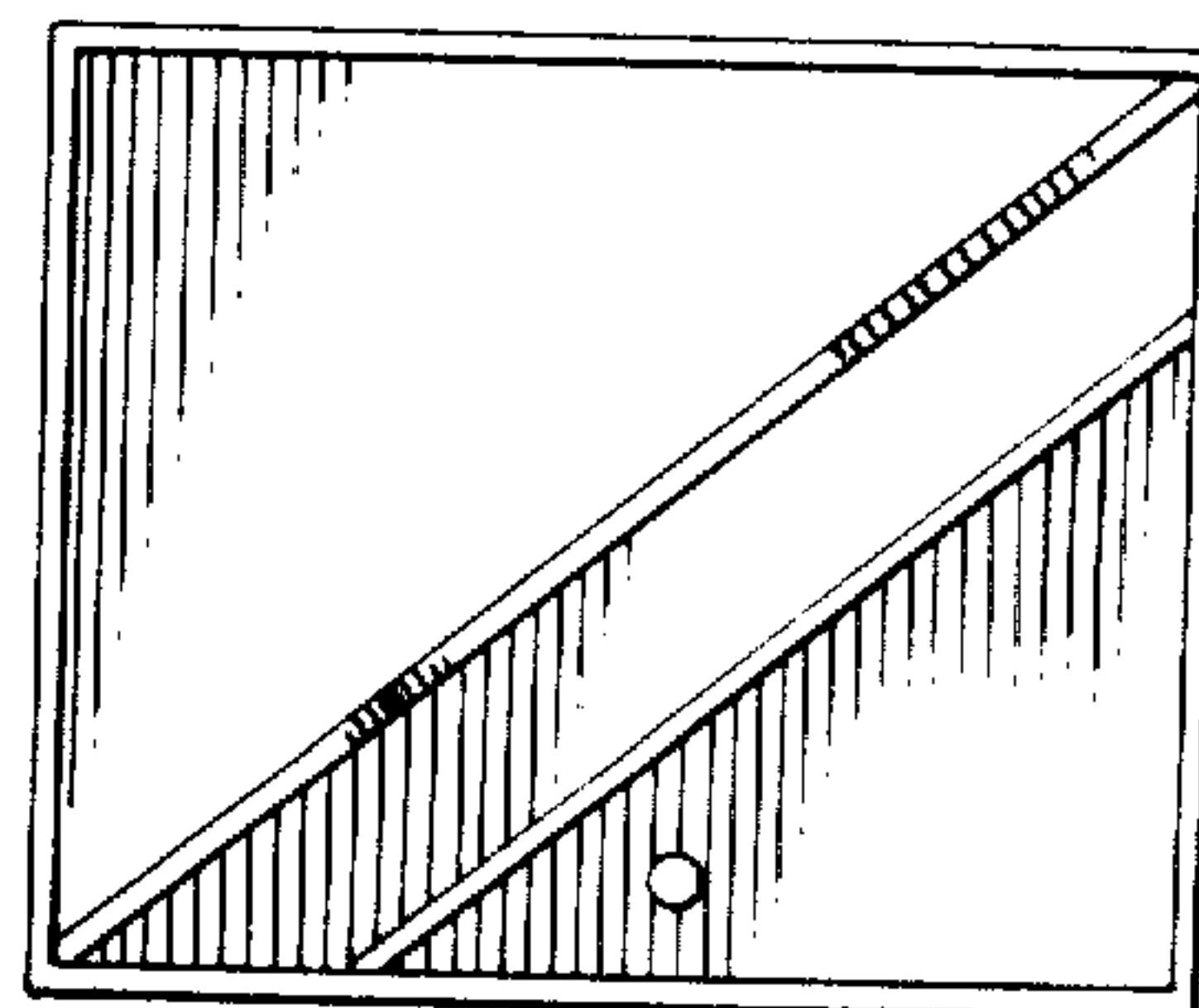
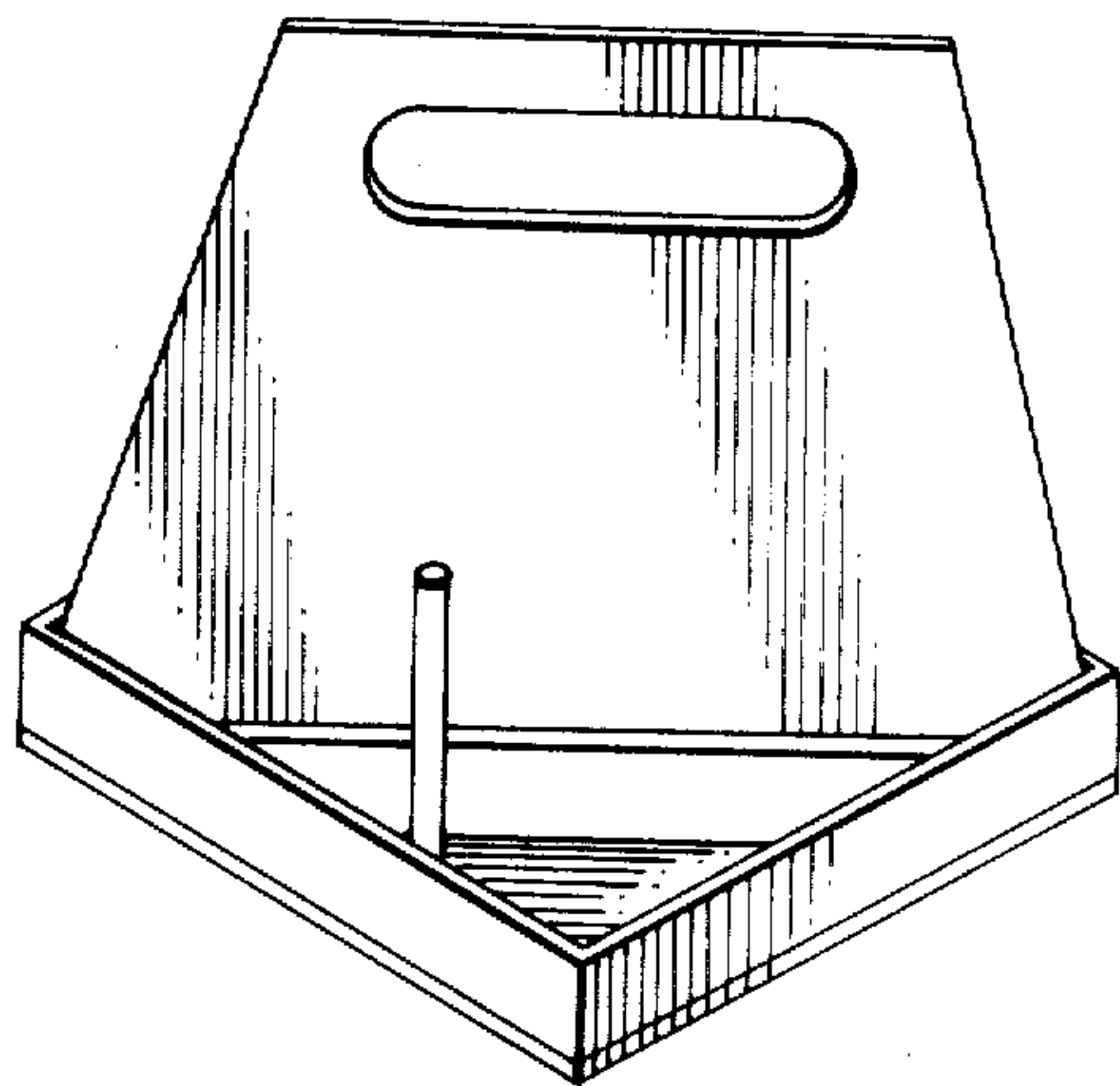


FIG. 1.

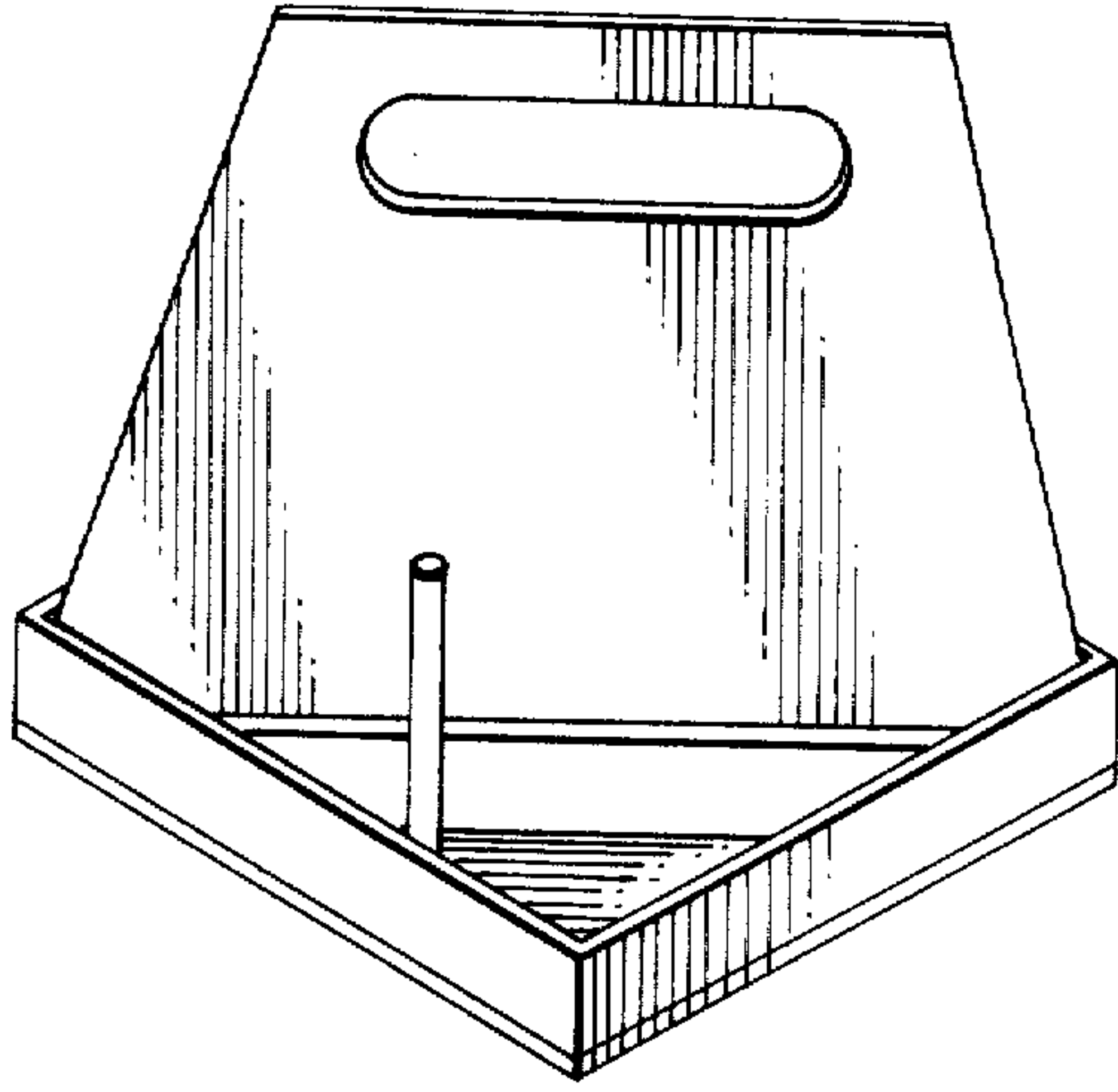


FIG. 2.

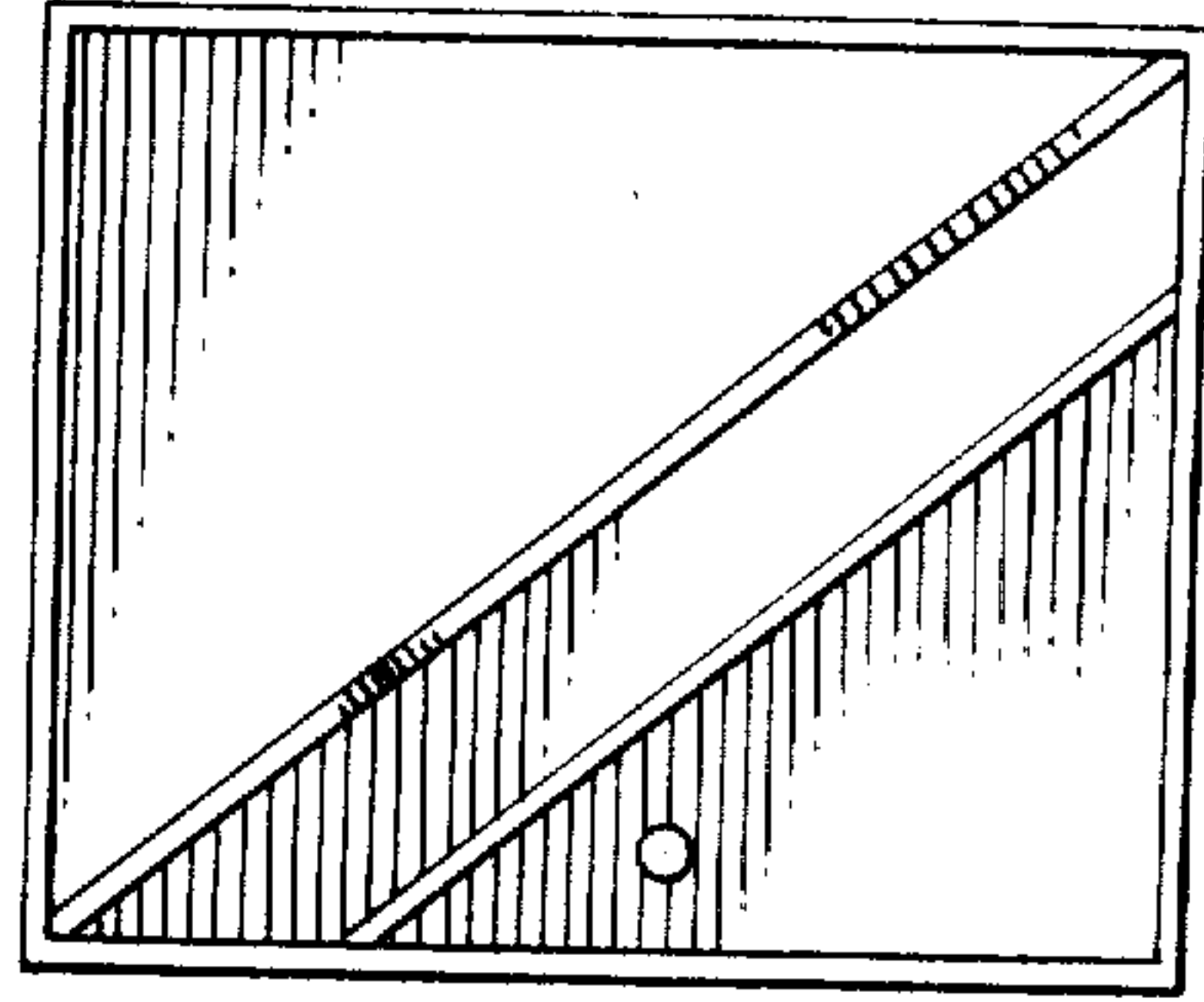


FIG. 3.

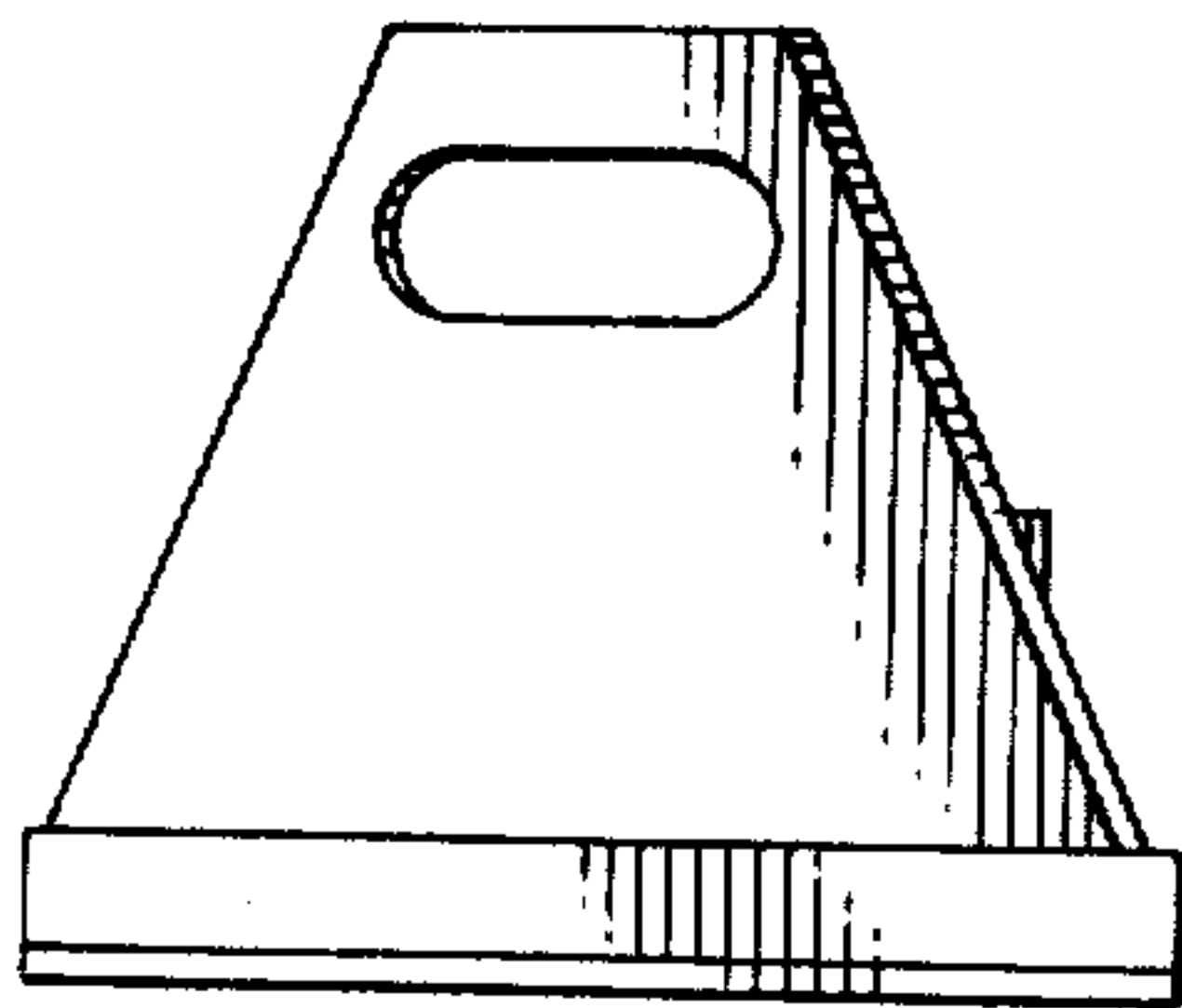


FIG. 4.

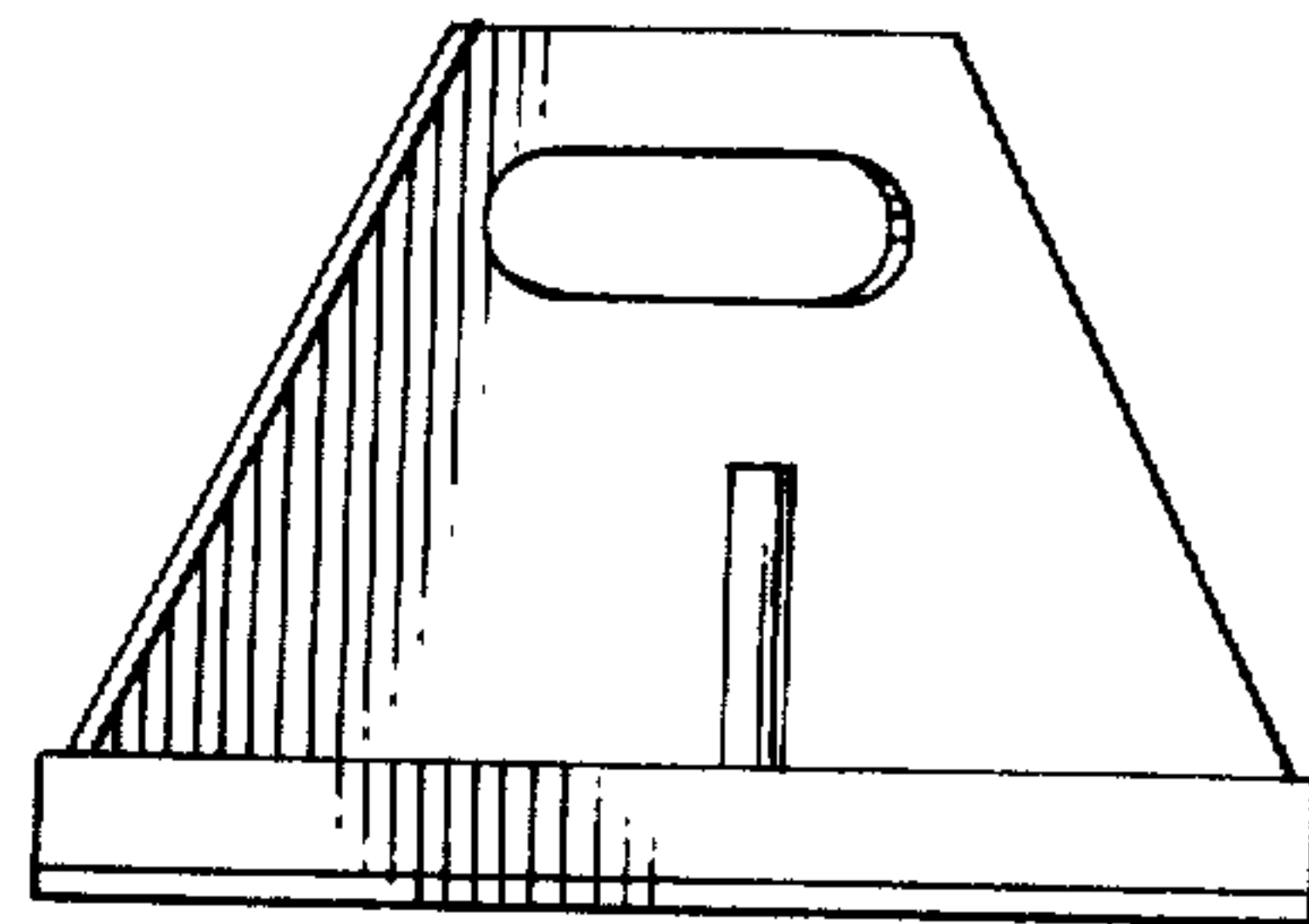


FIG. 5.

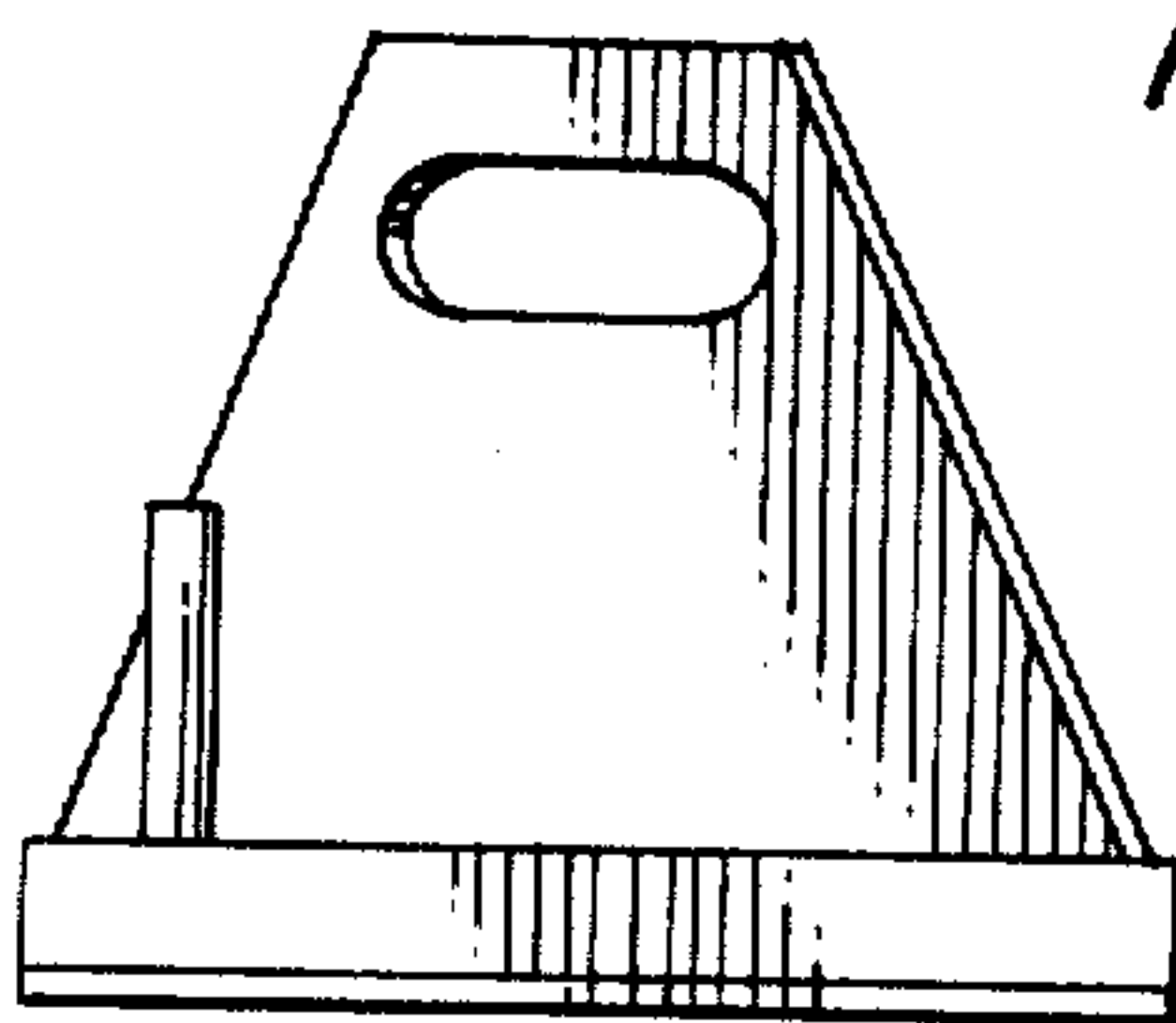


FIG. 6.

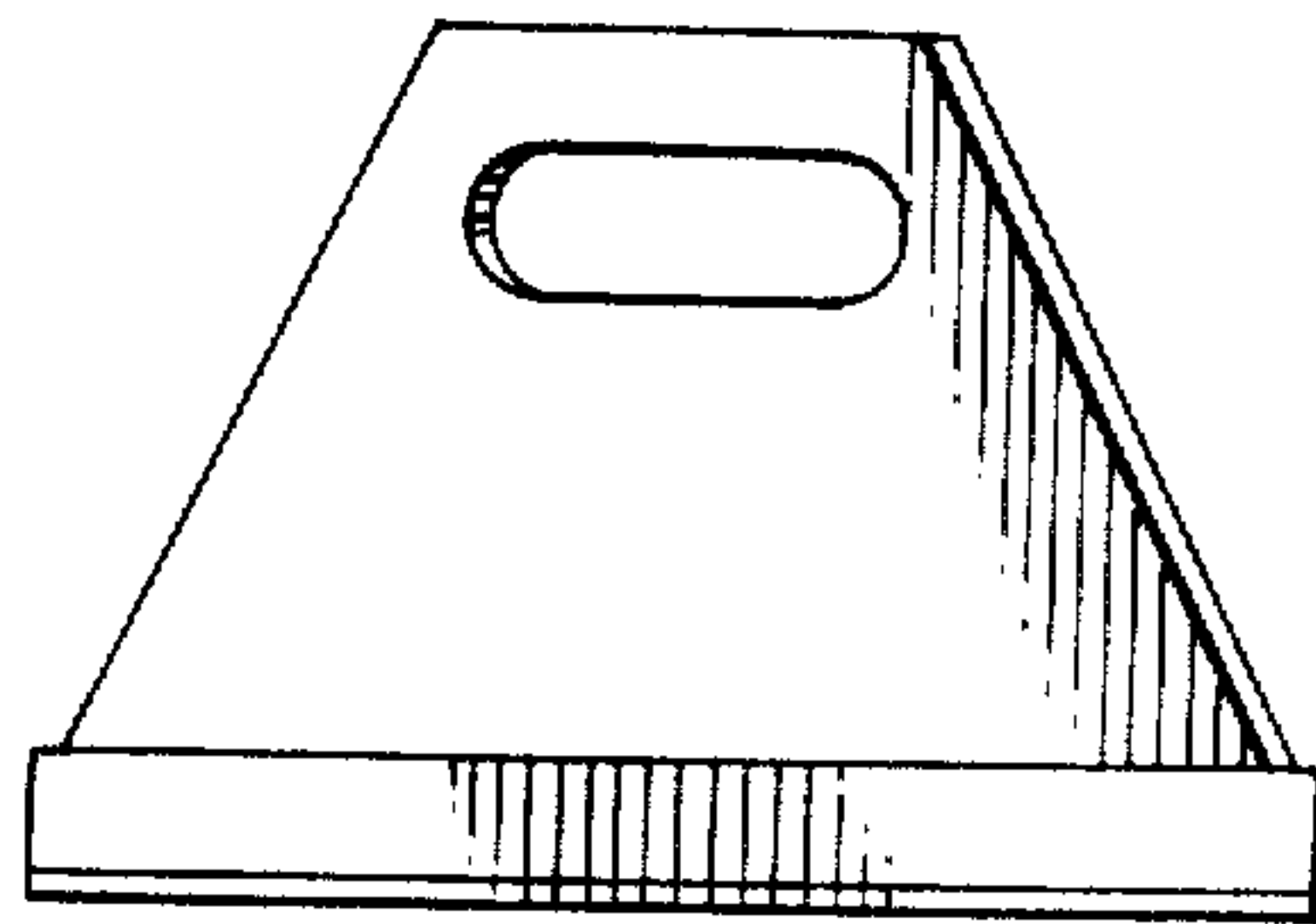


FIG. 7.

