

[54] **REFLECTOR**

[75] Inventor: **Bertil Håbro**, Lidingö, Sweden

[73] Assignee: **Håbros Patenter AB**, Lidingö, Sweden

[**] Term: **14 Years**

[21] Appl. No.: **123,883**

[22] Filed: **Feb. 22, 1980**

[30] **Foreign Application Priority Data**

Aug. 24, 1979 [SE] Sweden 79-1862

[51] **Int. Cl.** **D26-05**

[52] **U.S. Cl.** **D26/128**

[58] **Field of Search** D10/111; D26/118, 28, D26/128, 133; 362/297, 301, 302, 341, 343-349

[56] **References Cited**

U.S. PATENT DOCUMENTS

- 16,451 1/1857 Pichler 362/341
- D. 58,455 7/1921 Arndt D26/133
- D. 67,828 7/1925 Dorey D26/128
- 494,339 3/1893 Marston 362/348
- 1,459,372 6/1923 Kistner 362/348 X

1,788,934 1/1931 Wood 362/347

FOREIGN PATENT DOCUMENTS

- 784234 4/1935 France 362/341
- 102772 12/1916 United Kingdom 362/346

Primary Examiner—Susan J. Lucas
Attorney, Agent, or Firm—Wenderoth, Lind & Ponack

[57] **CLAIM**

The ornamental design for a reflector, as shown and described.

DESCRIPTION

FIG. 1 is a front and side perspective view of a reflector showing my new design;
FIG. 2 is a rear perspective view on a reduced scale thereof;
FIG. 3 is a side view thereof, the opposite side being similar thereto;
FIG. 4 is an exploded rear view thereof on a reduced scale;
FIG. 5 is an elevation view taken from the left of FIG. 3; and
FIG. 6 is an elevation view taken from the right of FIG. 3.

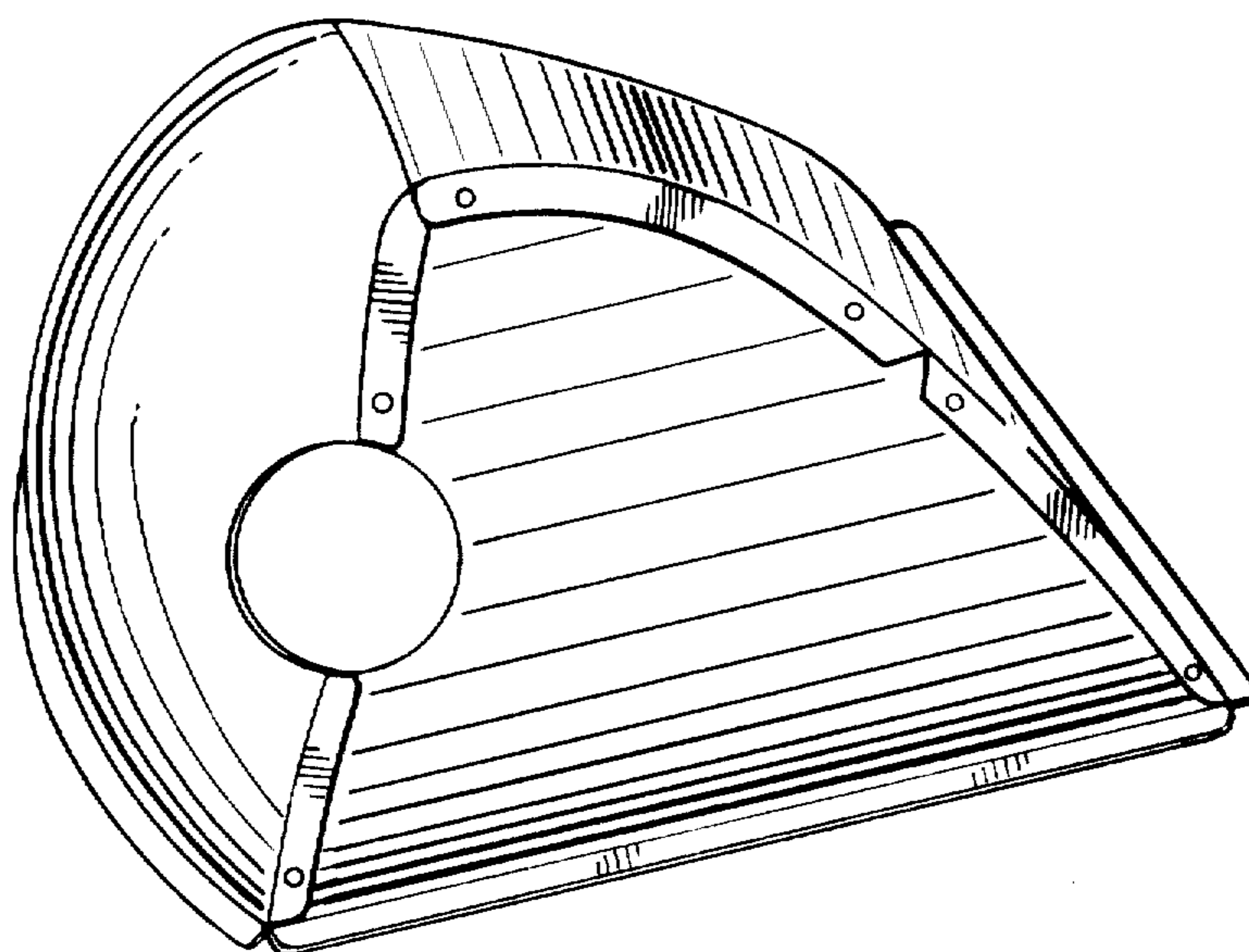


Fig. 1

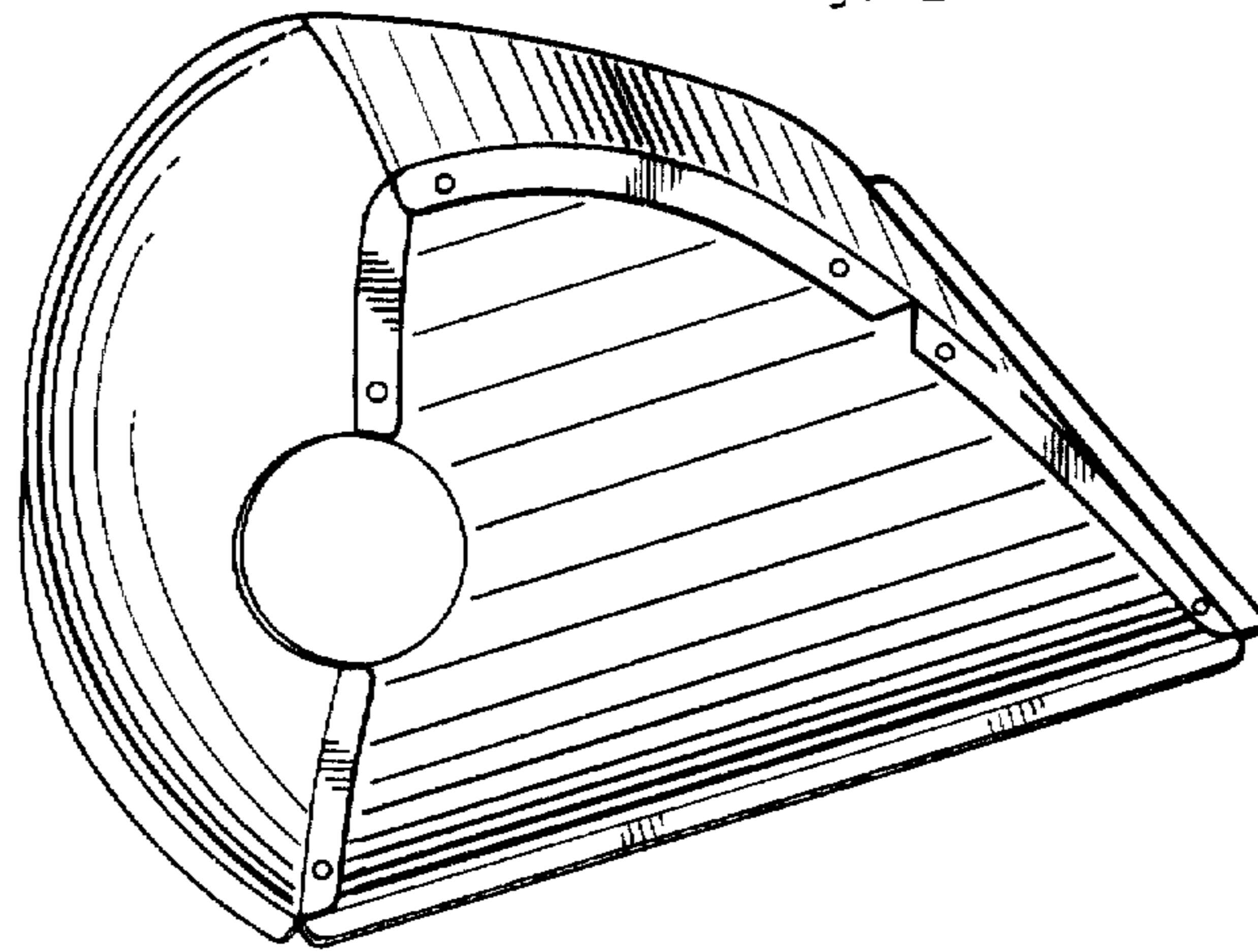
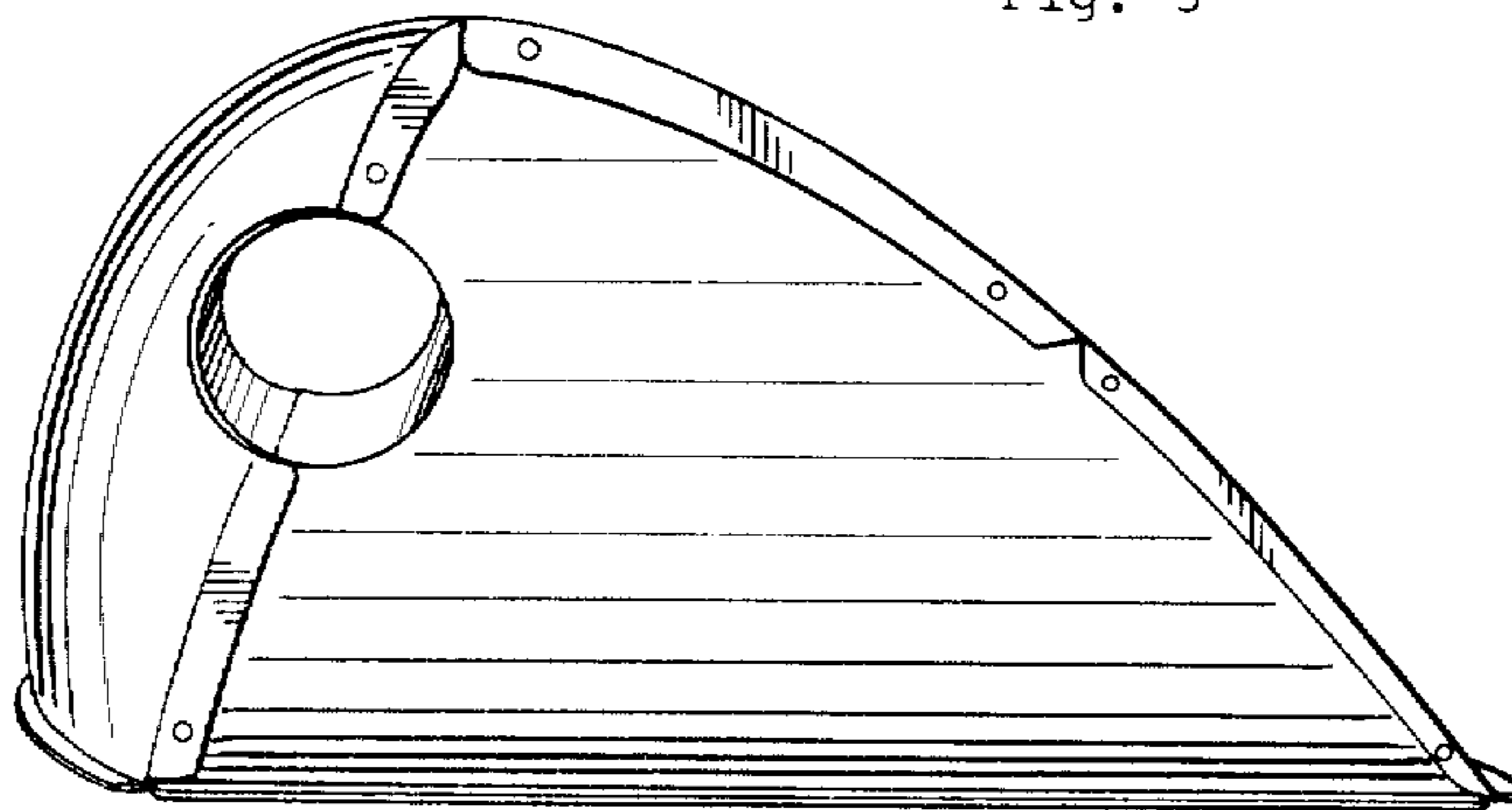


Fig. 3



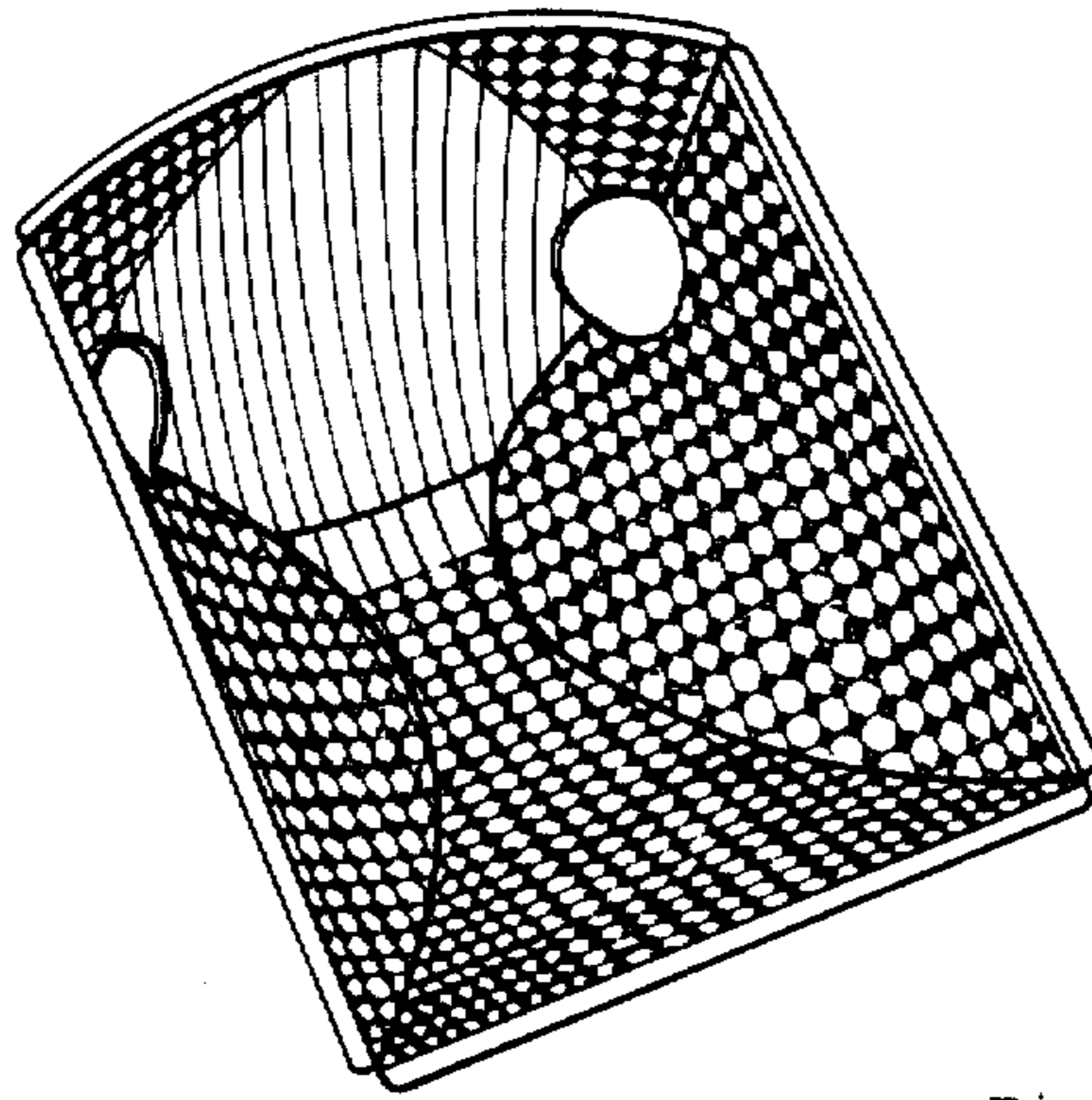


Fig. 2

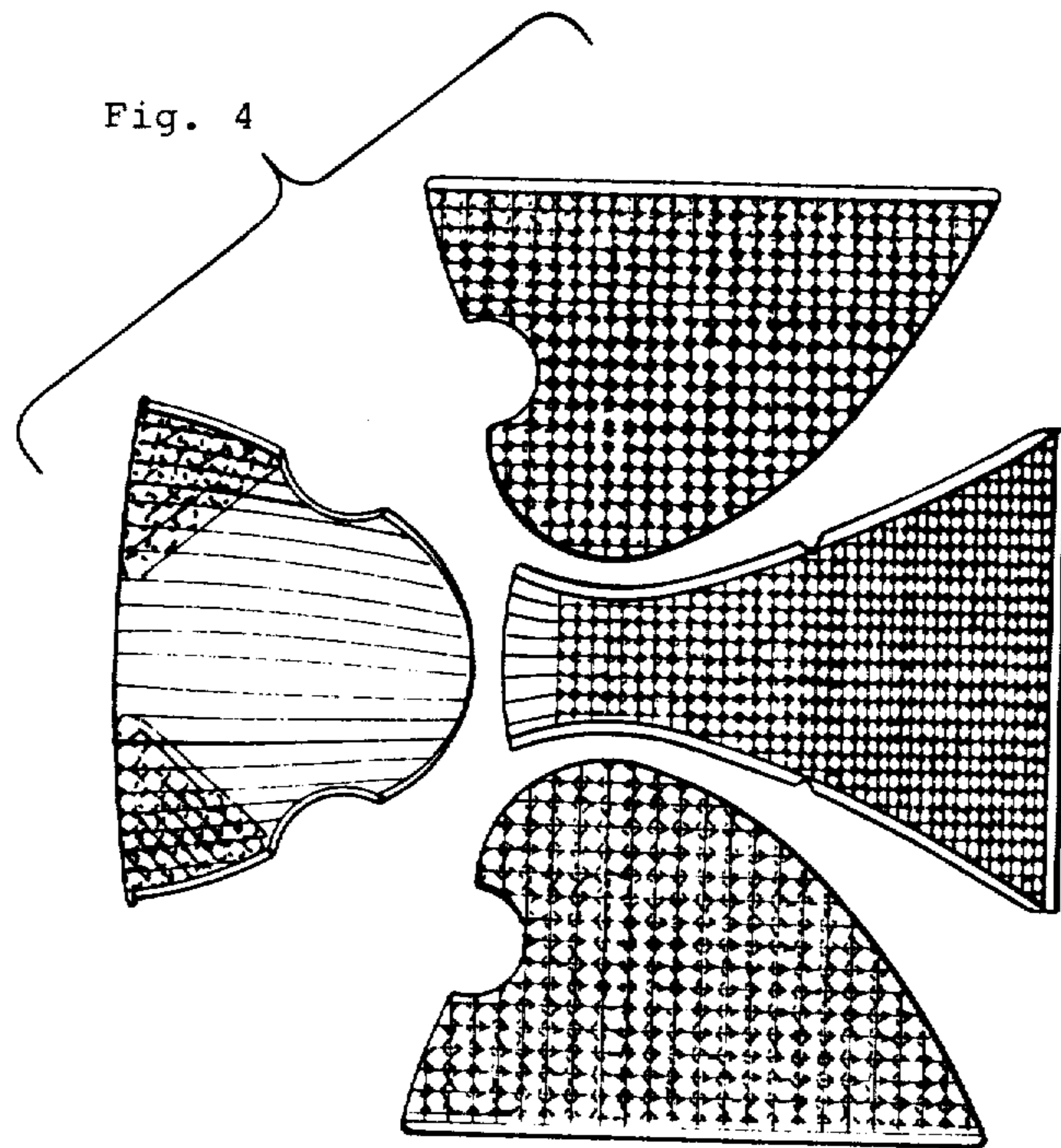


Fig. 4

FIG. 5

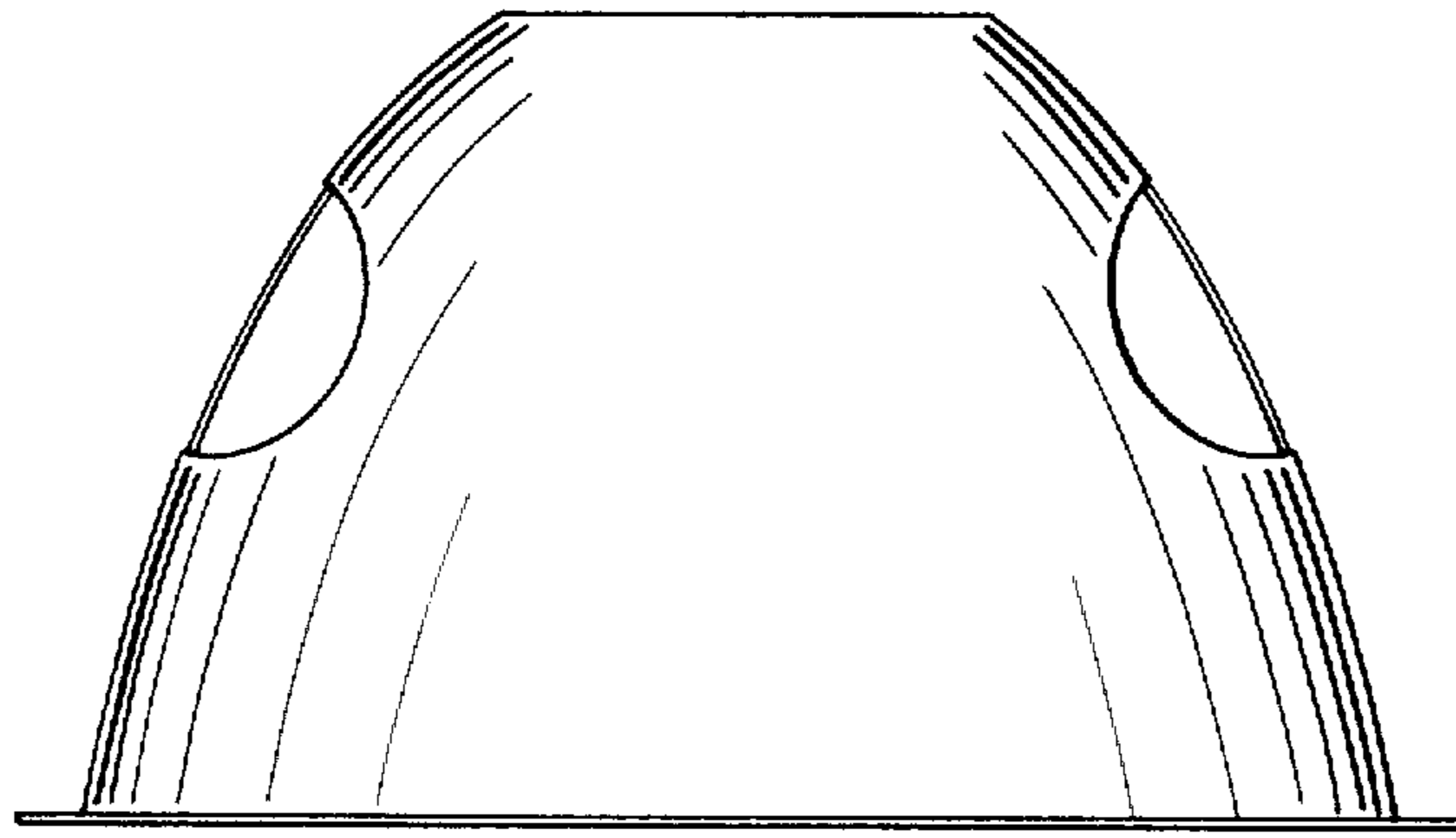


FIG. 6

