

[54] LUMINAIRE

[76] Inventor: Frederic Zurcher, 701 Willow La., Geneva, Ill. 60134

[**] Term: 14 Years

[21] Appl. No.: 208,790

[22] Filed: Nov. 20, 1980

Related U.S. Application Data

[63] Continuation-in-part of Ser. No. 908,898, May 23, 1978, abandoned.

[51] Int. Cl. D26-05

[52] U.S. Cl. D26/91; D26/131

[58] Field of Search 362/404, 806, 351, 353, 362/355, 356, 357; D26/24, 131, 72, 135, 80-92, 118, 119, 128, 129, 130, 131

[56] References Cited

U.S. PATENT DOCUMENTS

D. 260,685 9/1981 Zurcher D26/91

OTHER PUBLICATIONS

American Handicrafts Catalog #59, Winter, 1972, p. 62, String Lamp (top right).

Home Lighting & Accessories, 7-1971, p. 18, String Lamp (bottom, left).

Lamp Journal, 12-1969, p. 34, String Lamp.

Primary Examiner—Susan J. Lucas

Attorney, Agent, or Firm—Ostrolenk, Faber, Gerb & Soffen

[57] CLAIM

The ornamental design for a luminaire, as shown and described.

DESCRIPTION

FIG. 1 is a perspective view of a luminaire showing my new design;

FIG. 2 is a top view thereof;

FIG. 3 is a bottom view thereof; and

FIG. 4 is a cross-sectional view of the luminaire showing my new design, viewed along the line 4-4 of FIG. 2, with the outer strings of the luminaire removed for ease of illustration.

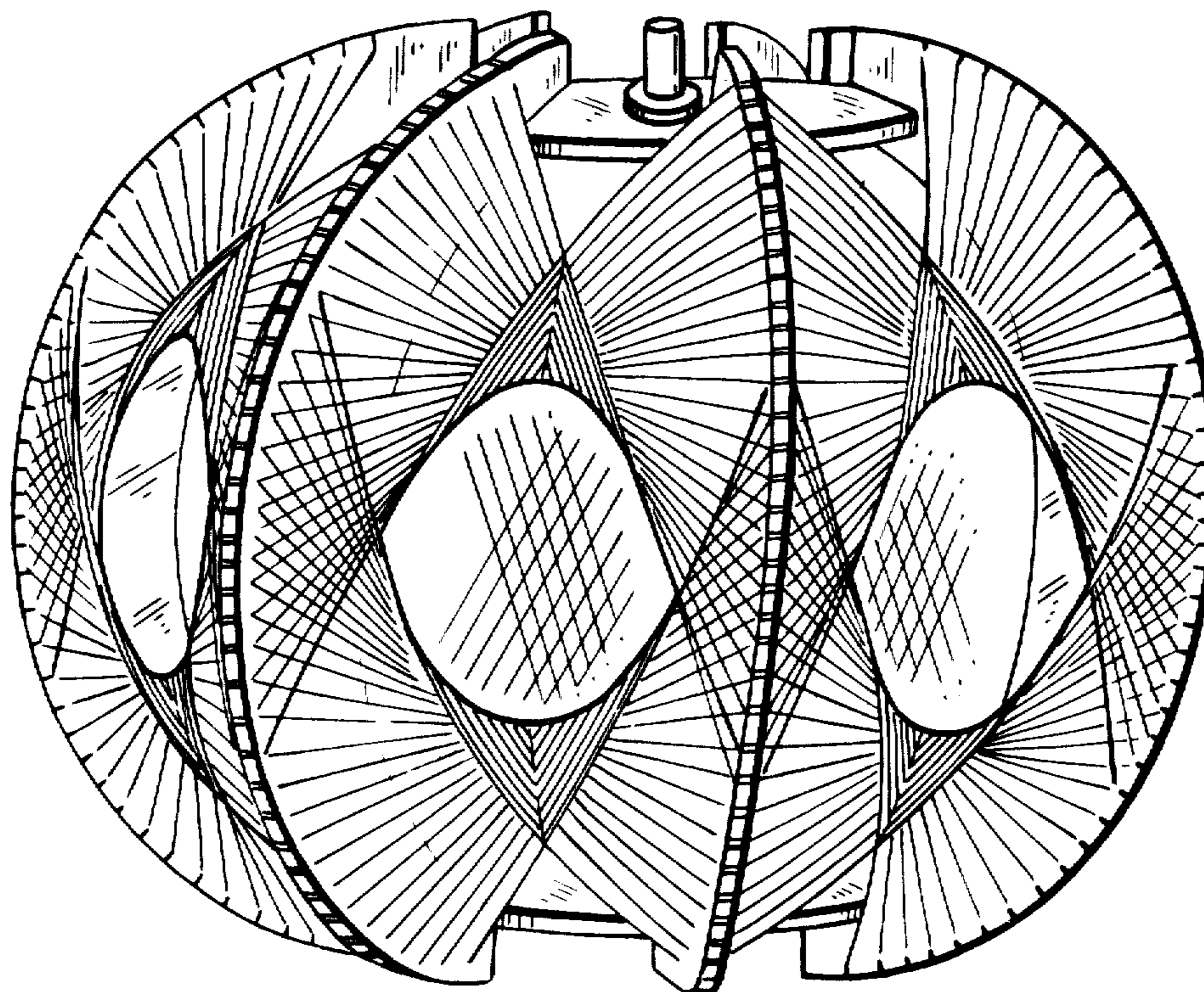


FIG. 1.

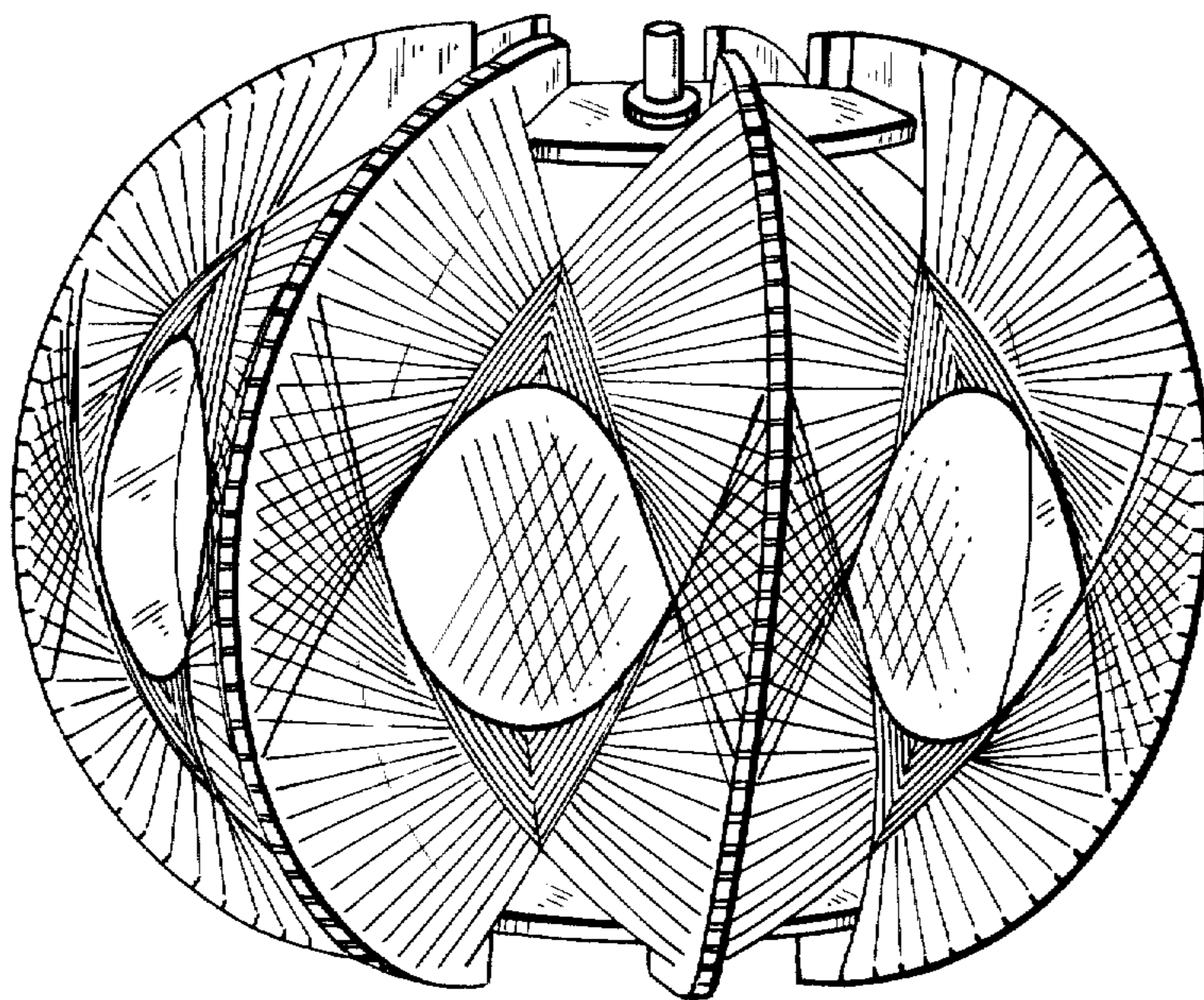


FIG. 2.

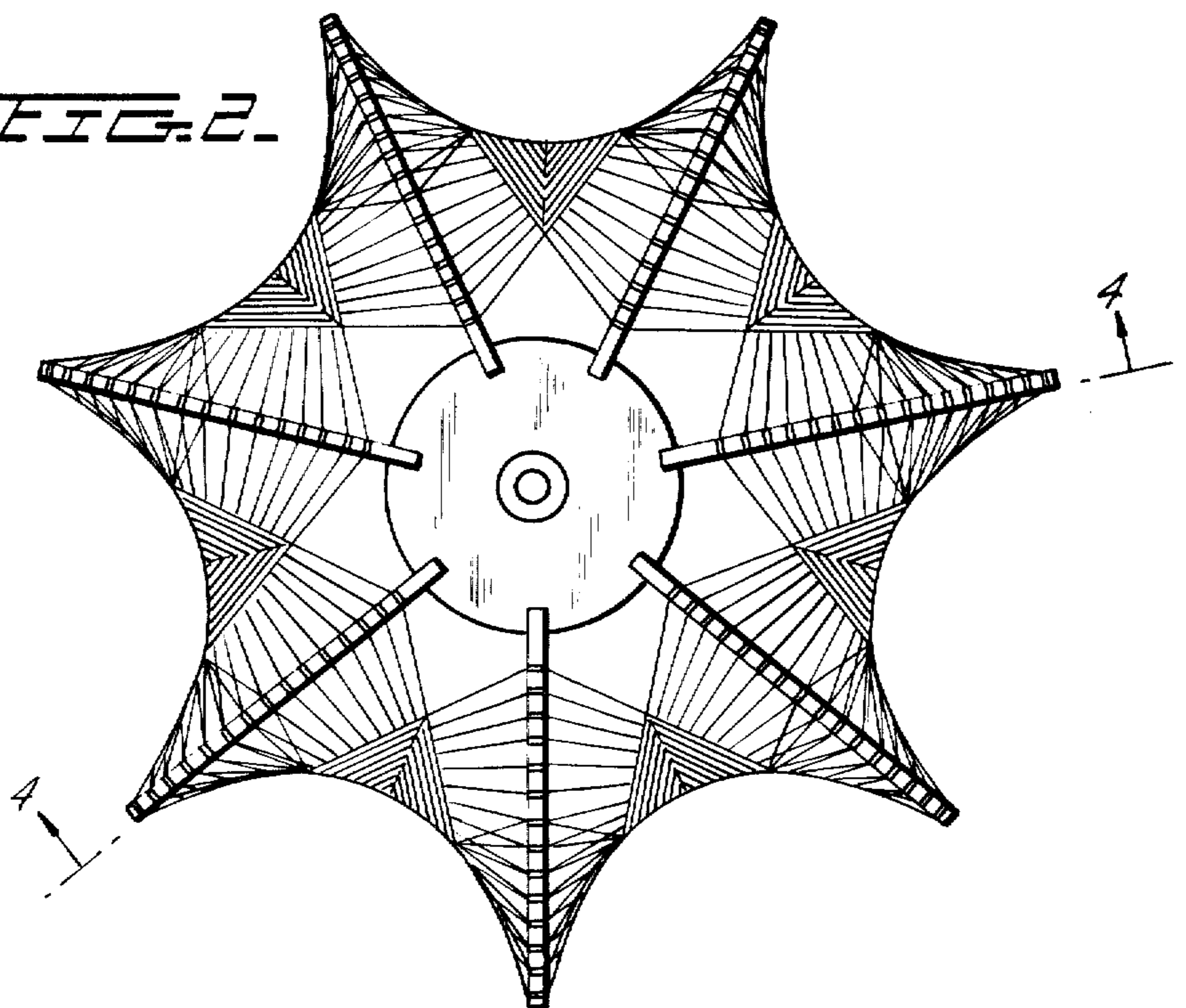


FIG. 4.

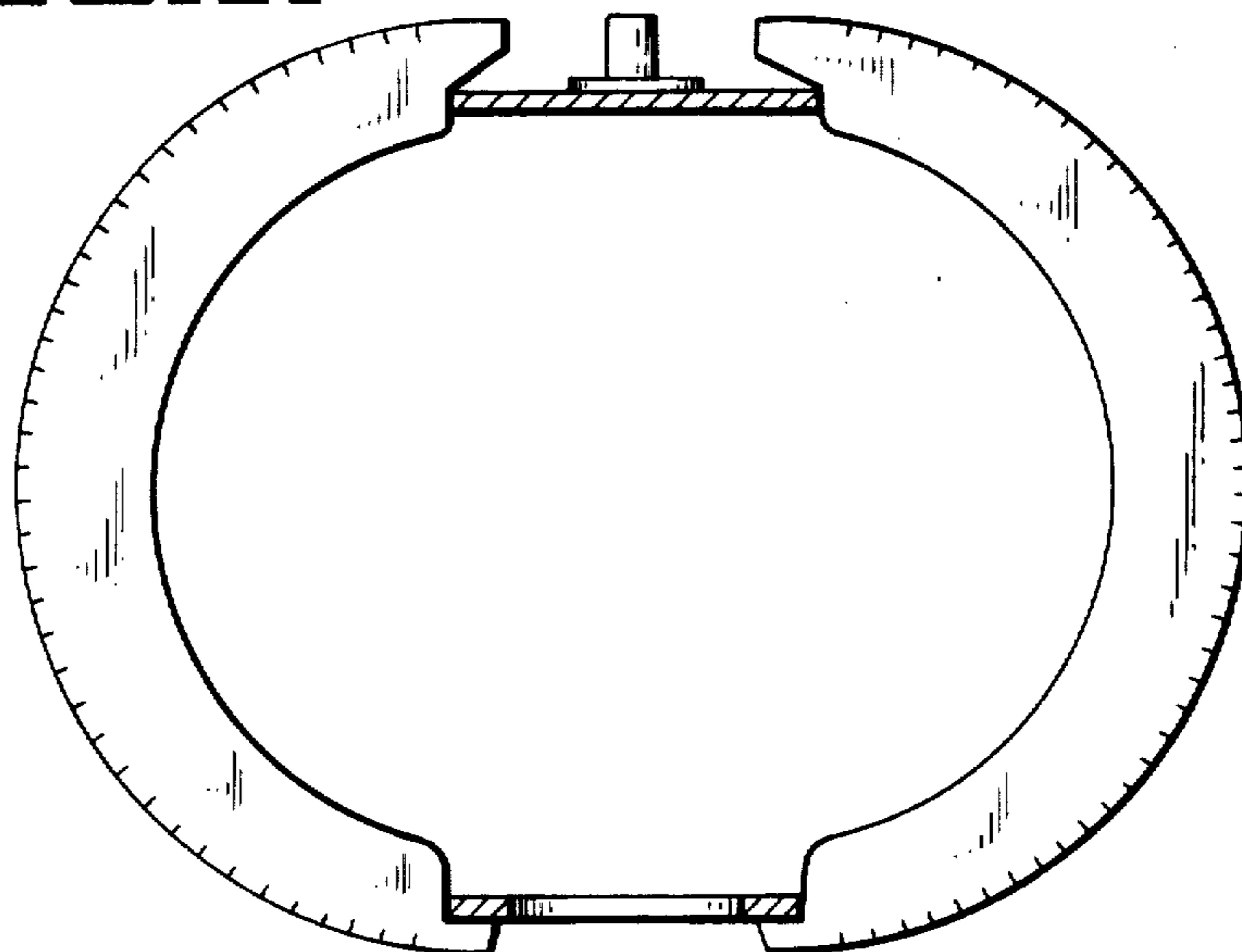


FIG. 3.

