

[54] SHOWER HEAD

[75] Inventors: Wilbur W. Whedon, West Hartford; Raymond T. Proulx, Wethersfield, both of Conn.

[73] Assignee: Whedon Products, Inc., West Hartford, Conn.

[**] Term: 14 Years

[21] Appl. No.: 267,698

[22] Filed: May 27, 1981

[51] Int. Cl. D23-01

[52] U.S. Cl. D23/35

[58] Field of Search D23/34-38; 239/282, 283, 310, 318, 380-383, 443-449, 499, 525, 529, 548, 551, 552, 556, 558-560, 563, 564, 567, 568, 581-583, 586-588, 590.3, 590.5

[56] References Cited

U.S. PATENT DOCUMENTS

- D. 191,428 9/1961 Leighton D23/35
- D. 262,396 12/1981 Whedon D23/35
- 2,985,385 5/1961 Bowers et al. 239/587 X

- 3,722,799 3/1973 Rauh 239/443
- 4,010,899 3/1977 Heitzman 239/447 X
- 4,013,230 3/1977 Gondek 239/499
- 4,082,225 4/1978 Haynes 239/499
- 4,202,501 5/1980 Haynes 239/570

OTHER PUBLICATIONS

Domestic Engineering, May 1960, p. 165, "Shower Head" item.

Hardware Age, Aug. 23, 1962, p. 67, top left item.

Primary Examiner—James R. Largen

Attorney, Agent, or Firm—Prutzman, Kalb, Chilton & Alix

[57] CLAIM

The ornamental design of a shower head, substantially as shown.

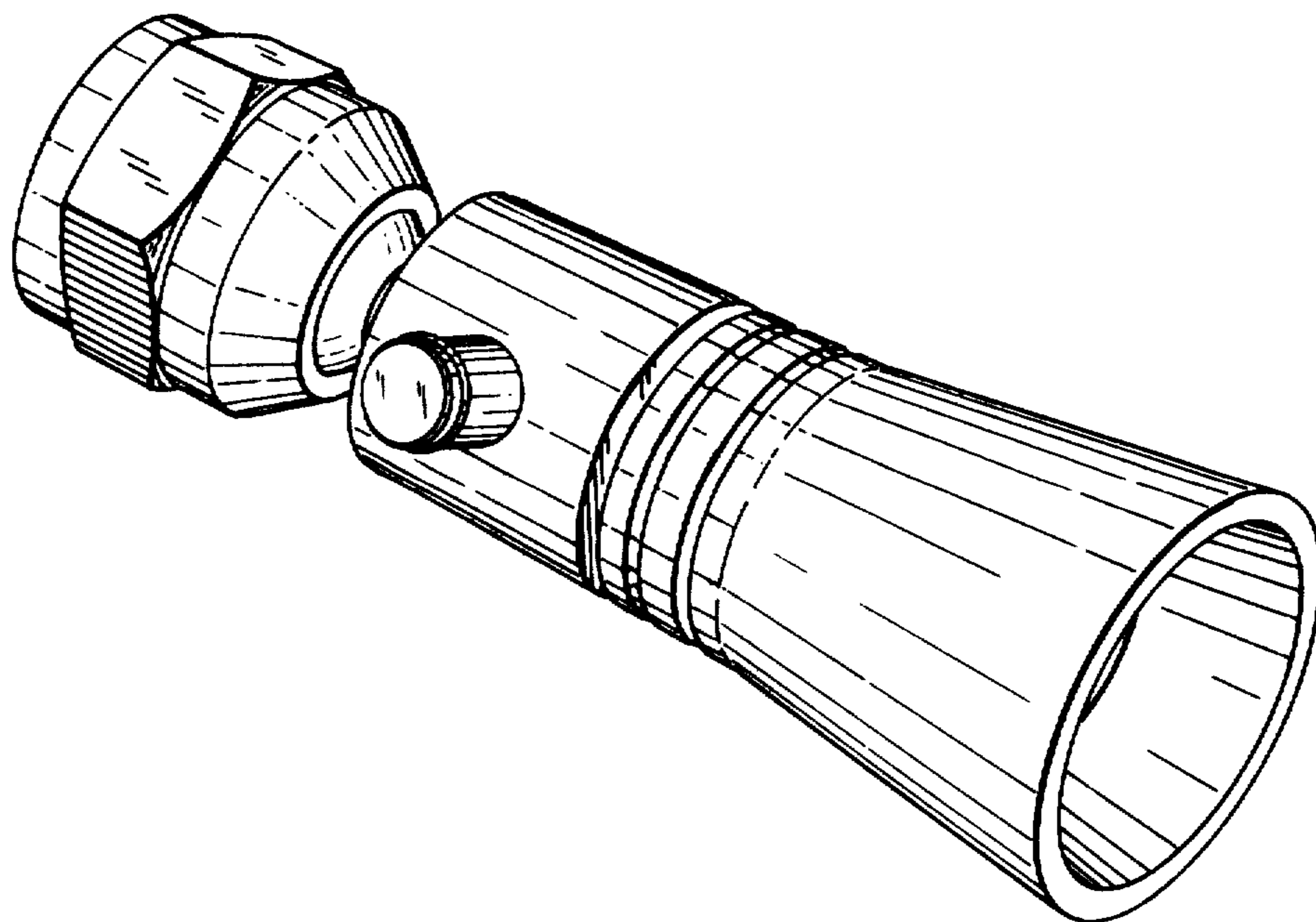
DESCRIPTION

FIG. 1 is a side elevational view of a shower head showing our new design;

FIG. 2 is a top plan view thereof;

FIG. 3 is a bottom plan view thereof; and

FIG. 4 is an isometric view taken from the bottom thereof.



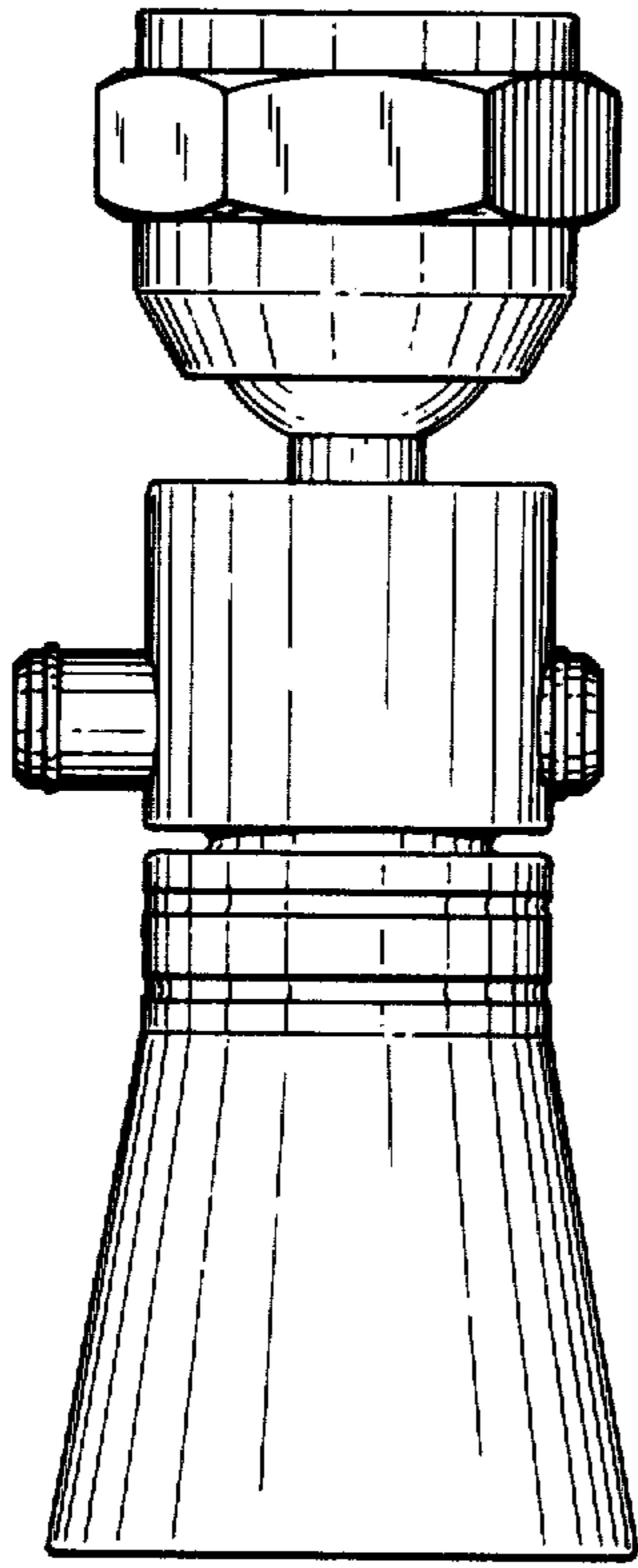


FIG. 1

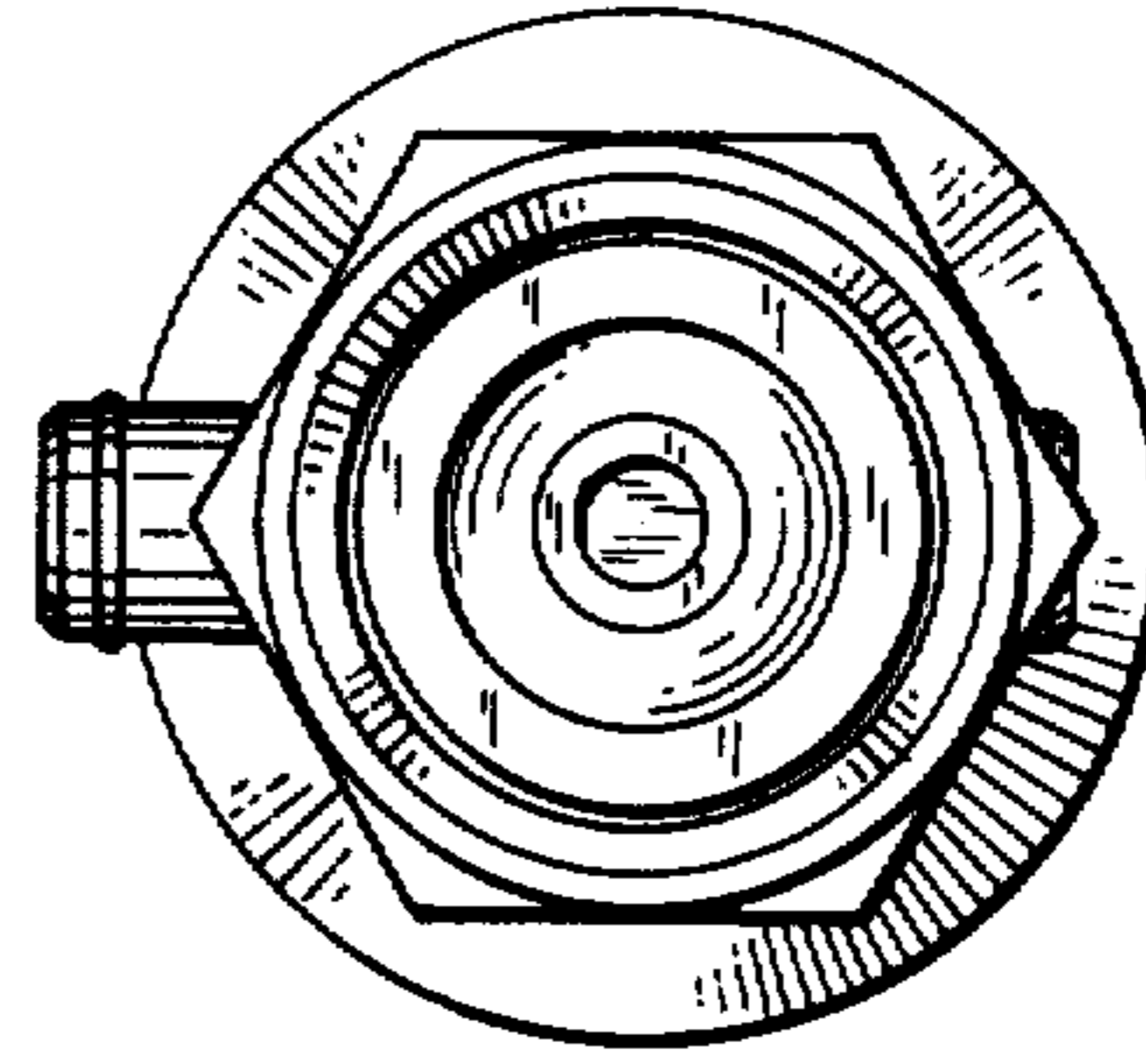


FIG. 2

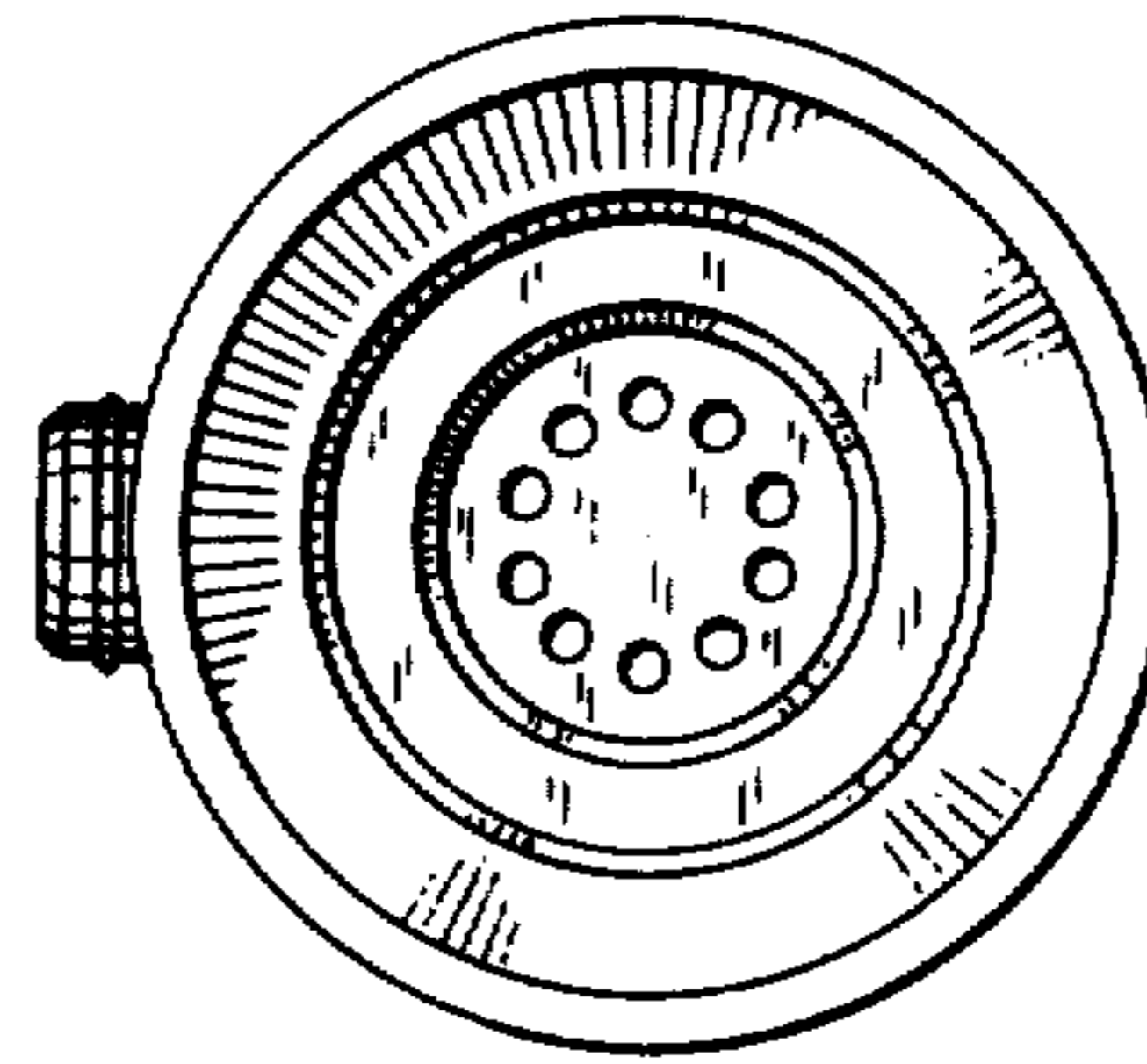


FIG. 3

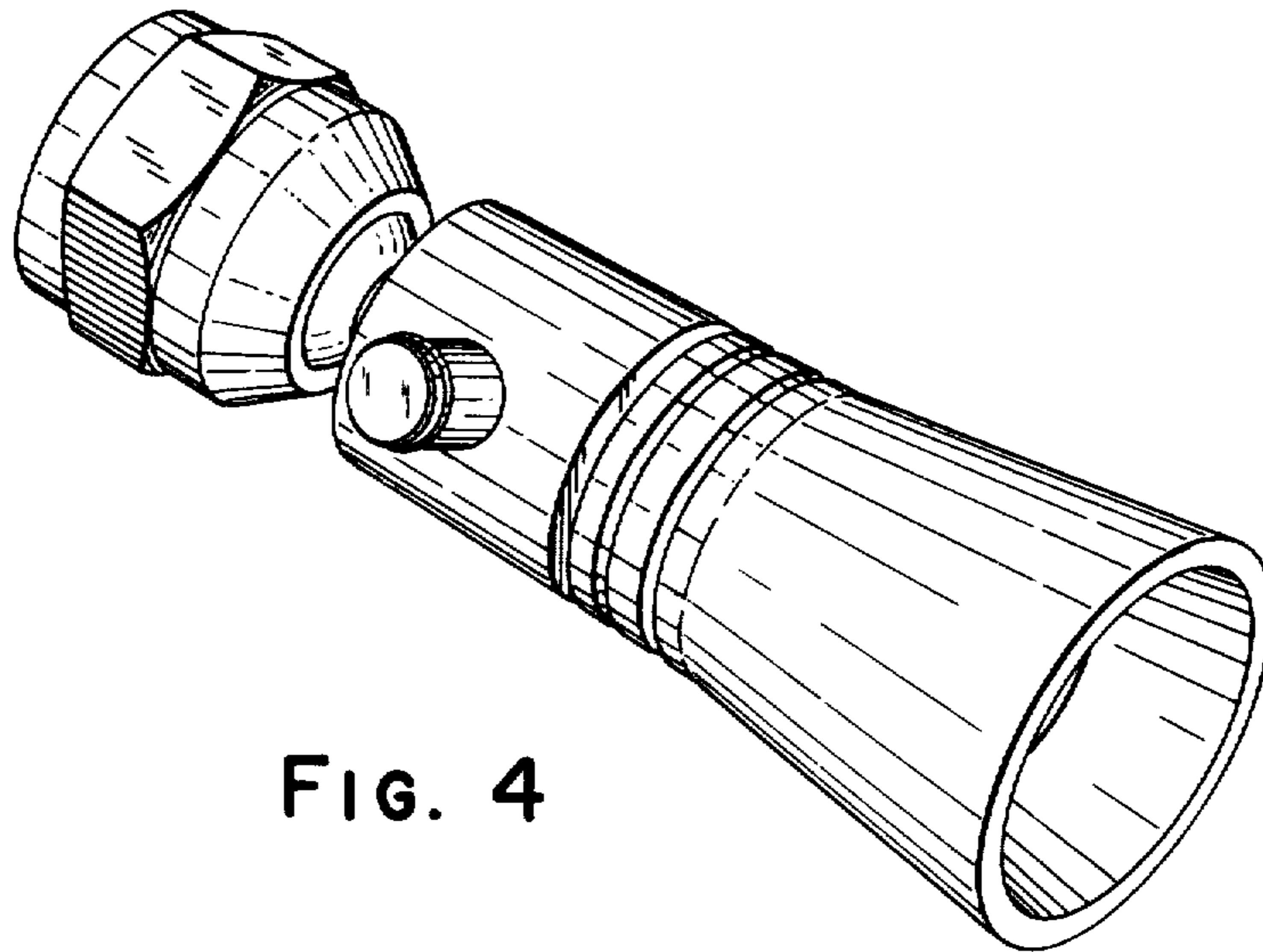


FIG. 4