

[54] **TOY TYPEWRITER WITH INTEGRAL PLATFORM**

[75] Inventor: **John A. Chambers**, Bingham, England
[73] Assignee: **Dobson Park Industries Limited**, Nottingham, England
[**] Term: **14 Years**
[21] Appl. No.: **154,105**
[22] Filed: **May 28, 1980**

[30] **Foreign Application Priority Data**
Mar. 12, 1979 [GB] United Kingdom 992643

[51] Int. Cl. **D21-01**
[52] U.S. Cl. **D21/127**
[58] Field of Search **D21/109, 110, 111, 122, D21/124, 127, 126; 46/1 R, 39; D3/72, 73, 74; D18/1, 2**

[56] **References Cited**
U.S. PATENT DOCUMENTS

D. 154,849 8/1949 Hertz D21/127
D. 163,039 4/1951 Hertz D21/127
D. 177,024 3/1956 Ehemann D21/127
4,156,322 5/1979 Seki 46/39

Primary Examiner—Charles A. Rademaker
Attorney, Agent, or Firm—Kirschstein, Kirschstein, Ottinger & Cobrin

[57] **CLAIM**

The ornamental design for a toy typewriter with integral platform, as shown and described.

DESCRIPTION

FIG. 1 is a perspective view of a toy typewriter with integral platform showing my new design; FIG. 2 is a side elevational view thereof; and FIG. 3 is a rear elevational view thereof. The unshown bottom of the design is substantially plain and unornamented.

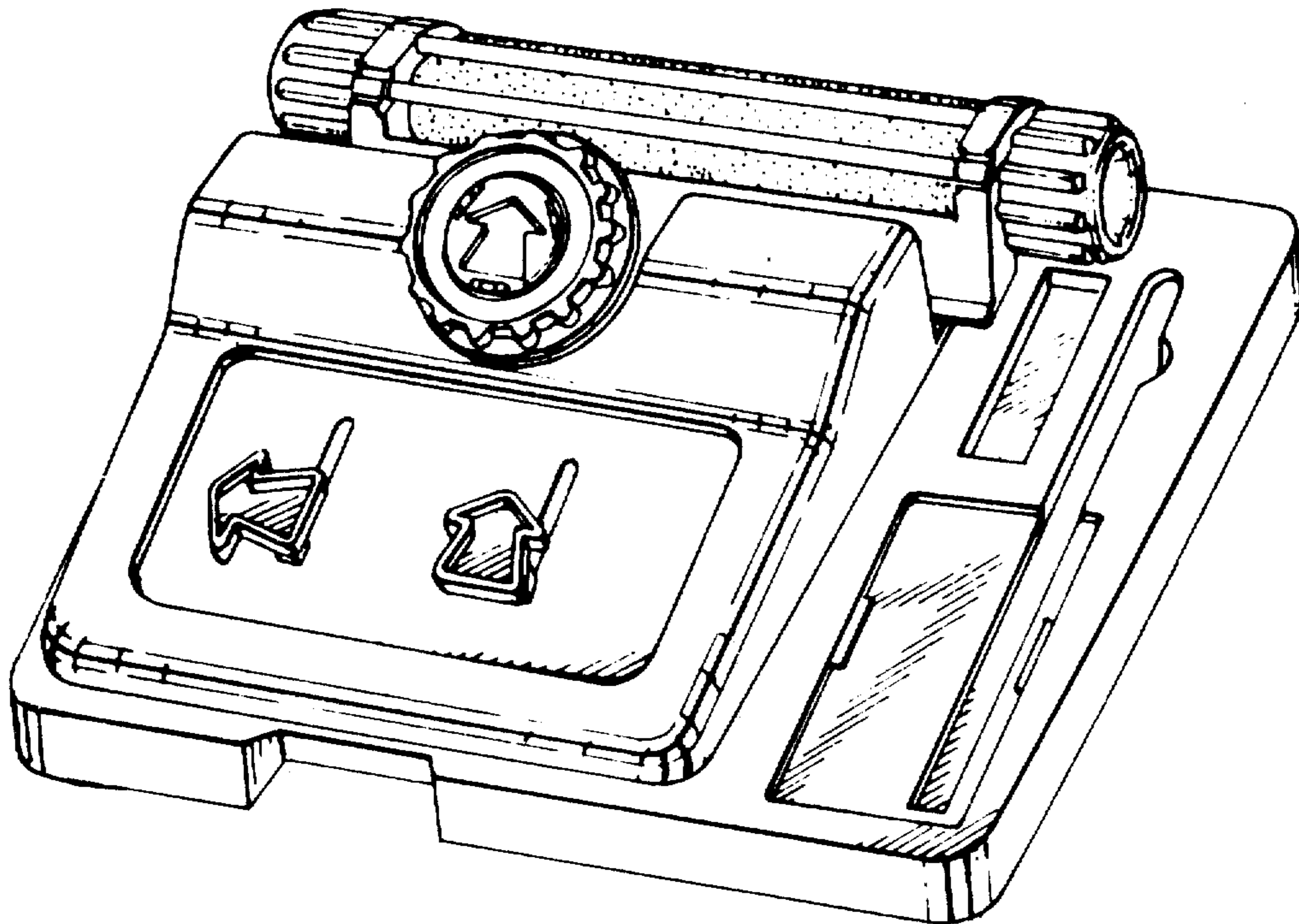


FIG. 1

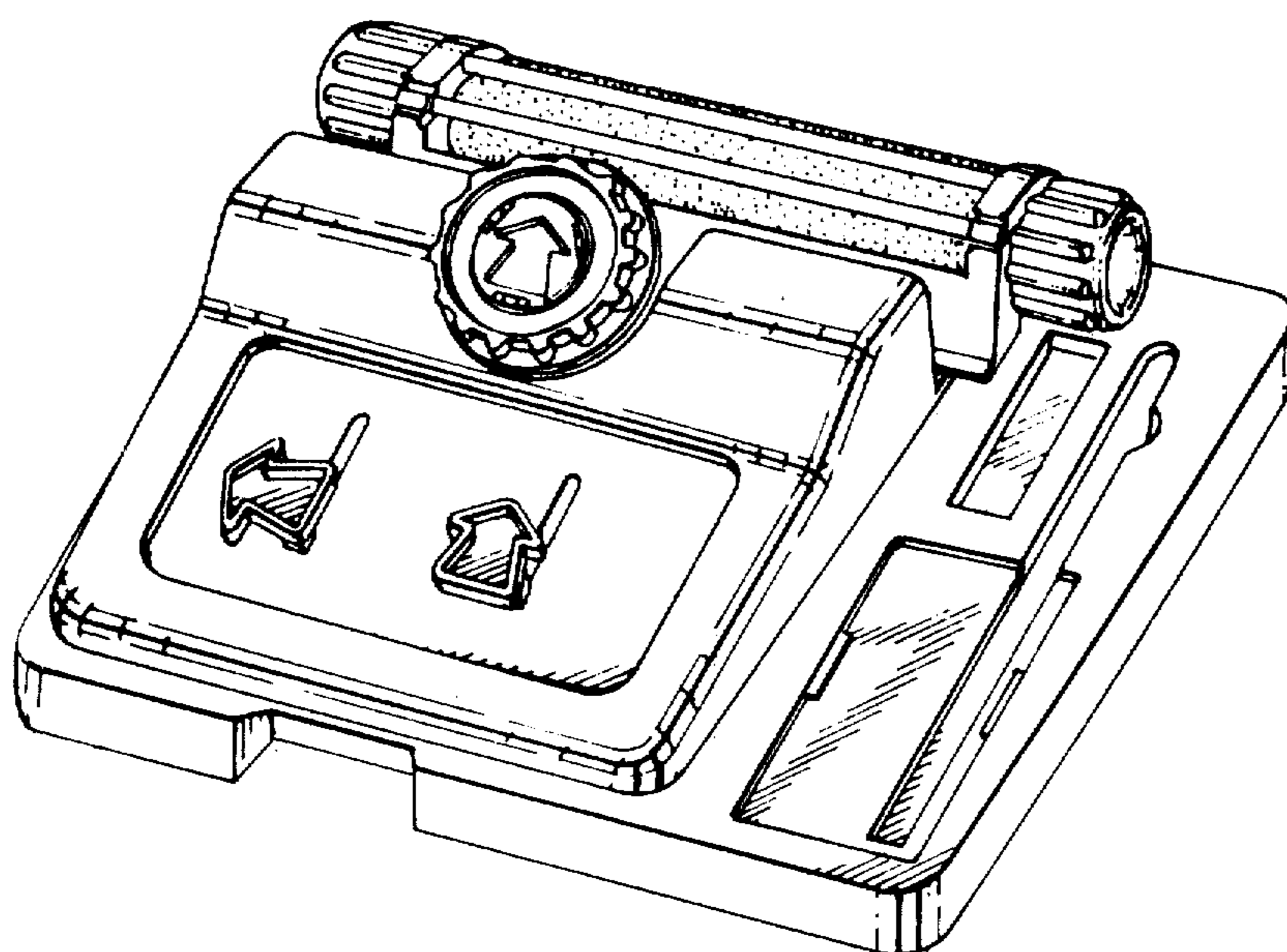


FIG. 2

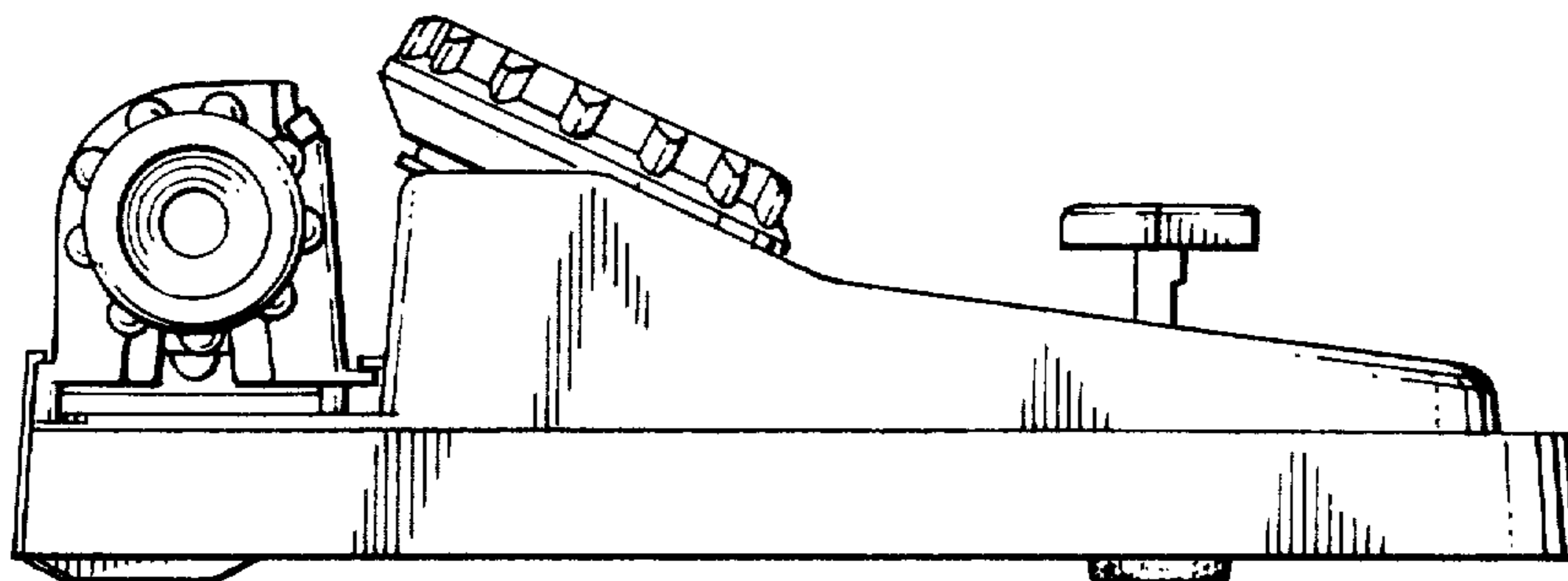


FIG. 3

