

[54] COMBINED CALENDAR, MEMO AND PENCIL HOLDER

[75] Inventors: Francis V. Herr, Kenmore; Thomas B. Walklet, East Amherst, both of N.Y.; James G. Hansen, Winnetka; Theodore J. Hasler, Chicago, both of Ill.

[73] Assignee: McDonald Products Corporation, Buffalo, N.Y.

[**] Term: 14 Years

[21] Appl. No.: 220,107

[22] Filed: Dec. 24, 1980

[51] Int. Cl. D19-02

[52] U.S. Cl. D19/22; D19/23; D19/78; D19/85; D19/90; D19/92

[58] Field of Search D19/20, 25, 75, 78, D19/86, 90, 92; 211/126; 40/120; D3/35

[56] References Cited

U.S. PATENT DOCUMENTS

D. 162,153	2/1951	Gilfert	D19/78
D. 192,277	2/1962	Meyer	D19/92
D. 240,033	5/1976	Macowski	D19/92
D. 256,480	8/1980	Wright	D19/92
D. 260,323	8/1981	Johnson	D3/35

Primary Examiner—George P. Word
Attorney, Agent, or Firm—Christel, Bean & Linihan

[57] CLAIM

The ornamental design for a combined calendar, memo and pencil holder, substantially as shown and described.

DESCRIPTION

FIG. 1 is a top perspective view of a combined calendar, memo and pencil holder showing our new design in a horizontal orientation;

FIG. 2 is a front perspective view thereof shown in vertical orientation;

FIG. 3 is a top plan view thereof;

FIG. 4 is a bottom plan view thereof;

FIG. 5 is a right side elevational view thereof;

FIG. 6 is a front elevational view thereof; and

FIG. 7 is a rear elevational view thereof.

The side not shown is a mirror image of the view shown in FIG. 5.

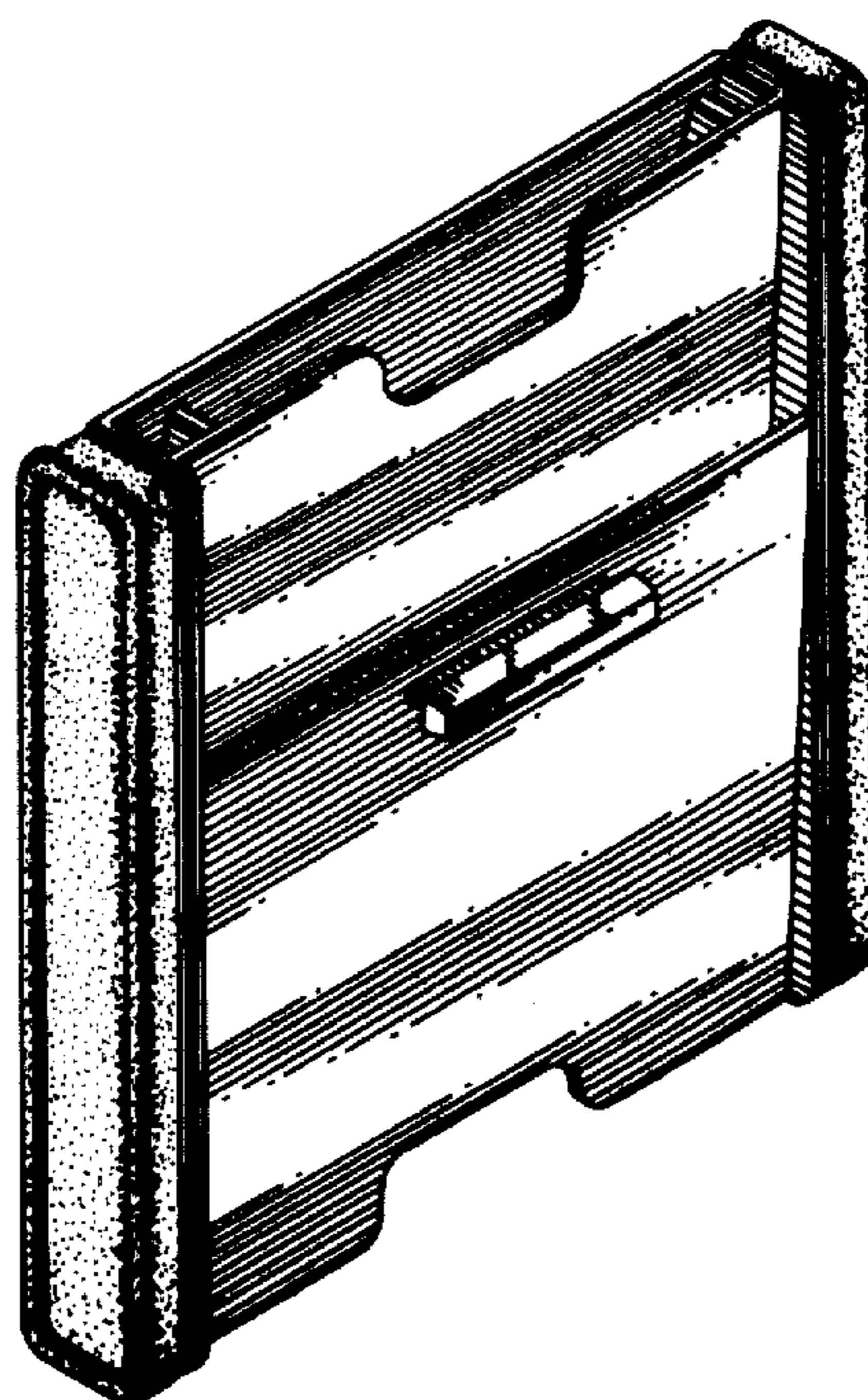


Fig. 1.

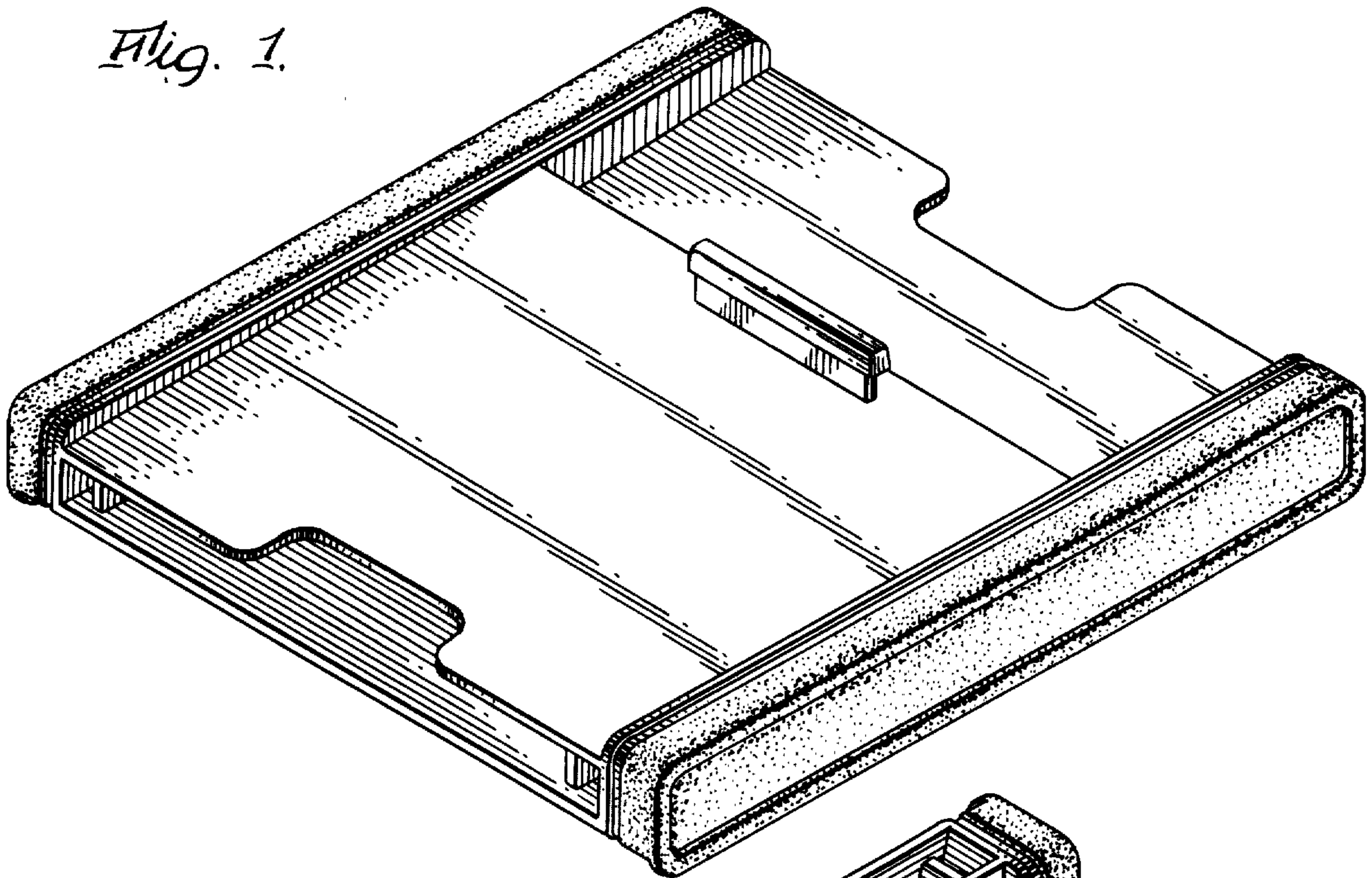


Fig. 2.

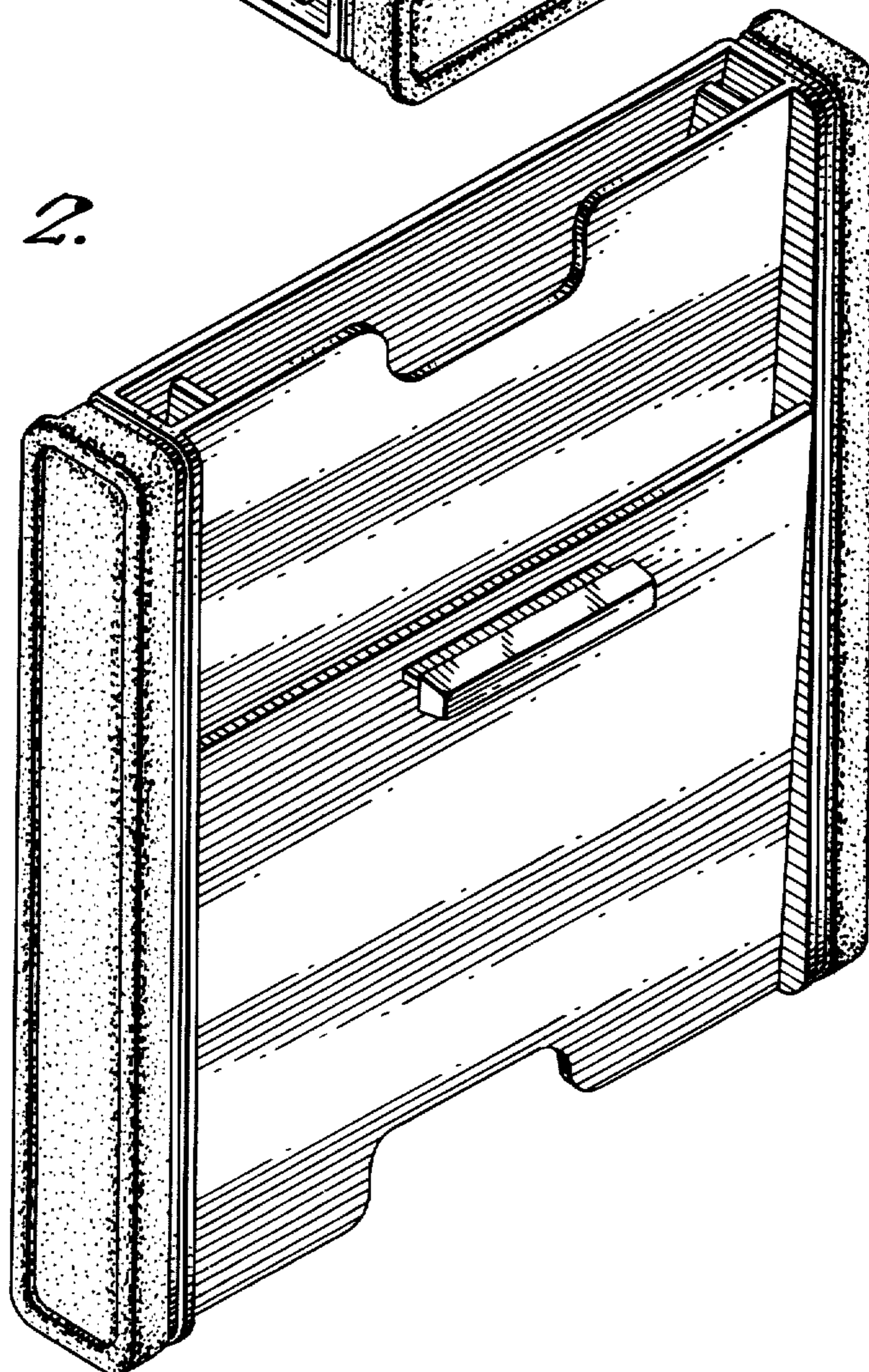


Fig. 3.

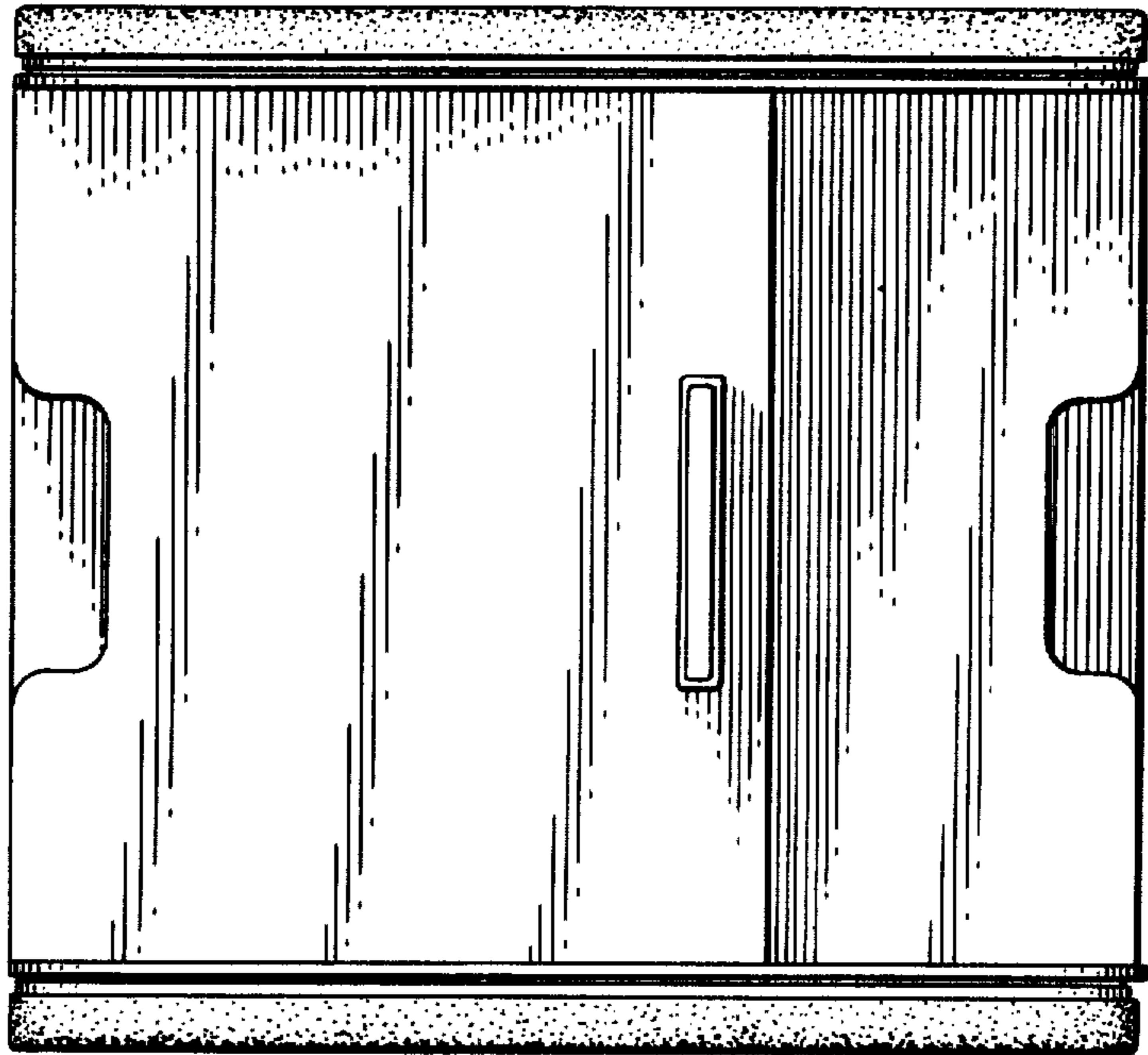


Fig. 4.

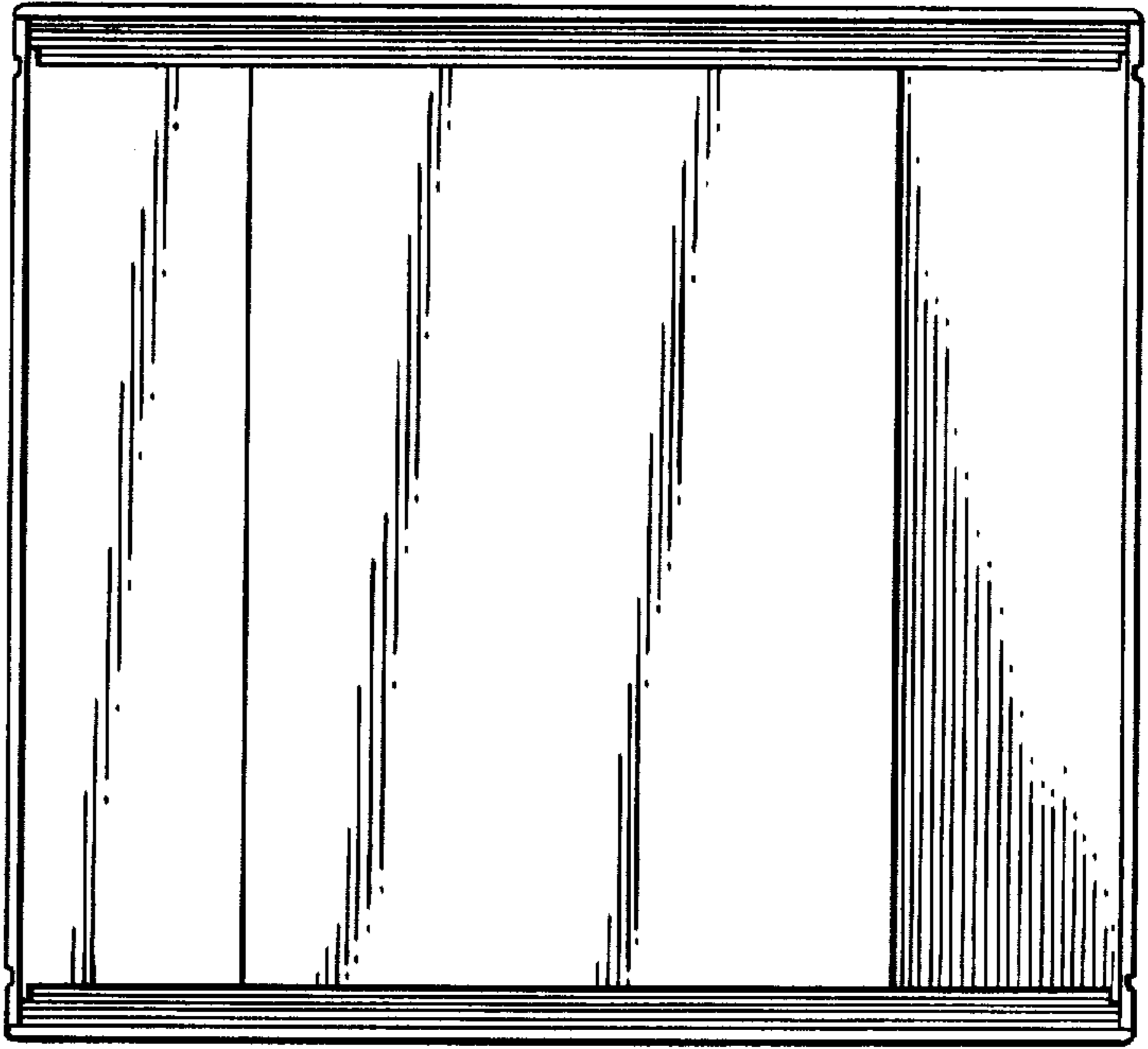


Fig. 5.

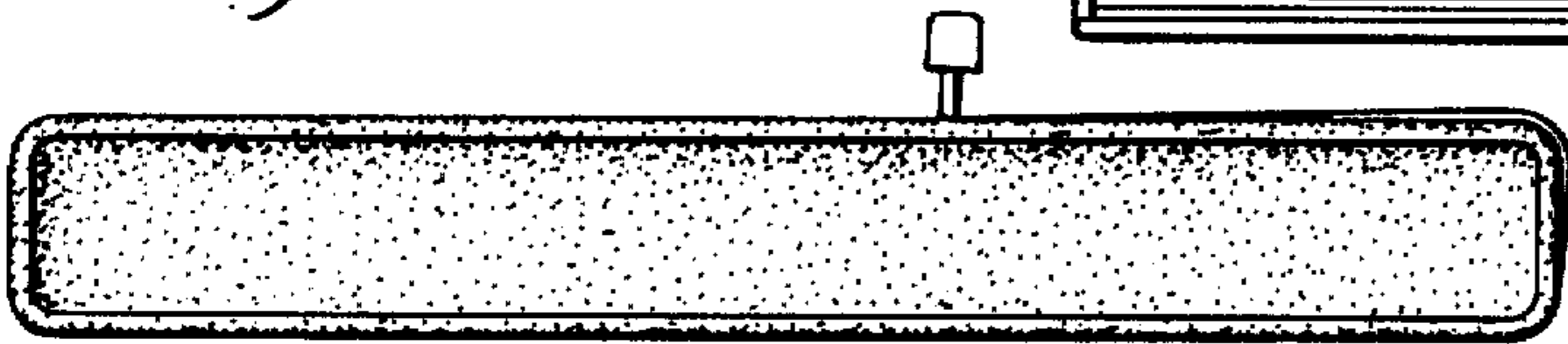


Fig. 7.

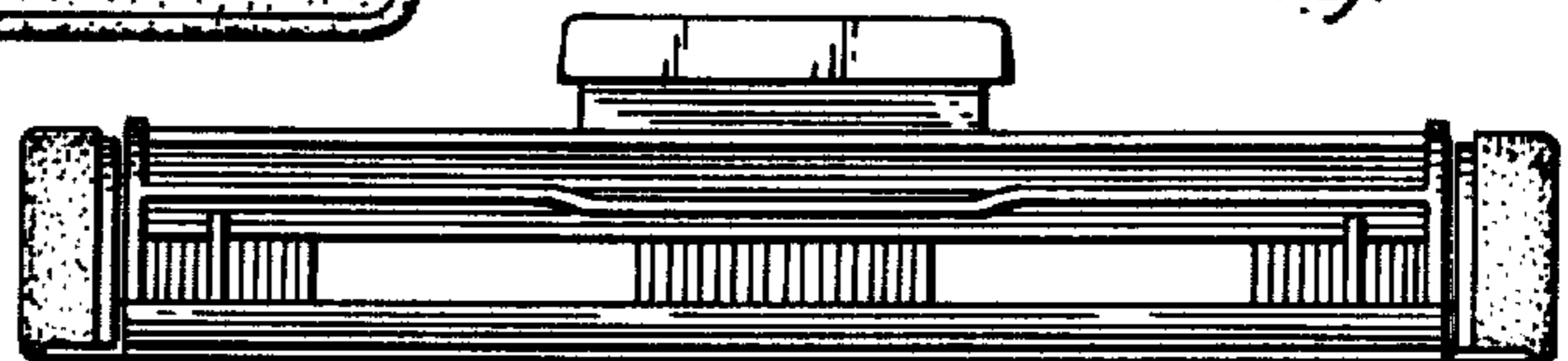


Fig. 6.

