

[54] TYPEWRITER

[75] Inventors: **Klaus D. Krause**, Oberasbach; **Bernd Gubbe**, Nürnberg-Katzwang, both of Fed. Rep. of Germany

[73] Assignee: **Triumph Werke Nurnberg A.G.**, Nuremberg, Fed. Rep. of Germany

[**] Term: **14 Years**

[21] Appl. No.: **175,427**

[22] Filed: **Aug. 4, 1980**

[30] Foreign Application Priority Data

Jun. 30, 1980 [DE] Fed. Rep. of Germany ... 2139/0380

[51] Int. Cl. **D18-01**

[52] U.S. Cl. **D18/1**

[58] Field of Search **D18/1, 2, 12;**
400/689-690.1, 690.4, 691-693

[56]

References Cited

U.S. PATENT DOCUMENTS

- D. 230,202 1/1974 Kovacs et al. D18/1
- D. 241,774 10/1976 Clowe D18/1
- D. 245,117 7/1977 Sottsass D18/1
- D. 258,663 3/1981 Bellini D18/1

OTHER PUBLICATIONS

Office Products, 10/1978, p. 198—Typewriter @top.

Primary Examiner—Louis S. Zarfaz

Attorney, Agent, or Firm—Joseph R. Spalla

[57]

CLAIM

The ornamental design for a typewriter, as shown.

DESCRIPTION

FIG. 1 is a right front perspective view of a typewriter showing my new design;

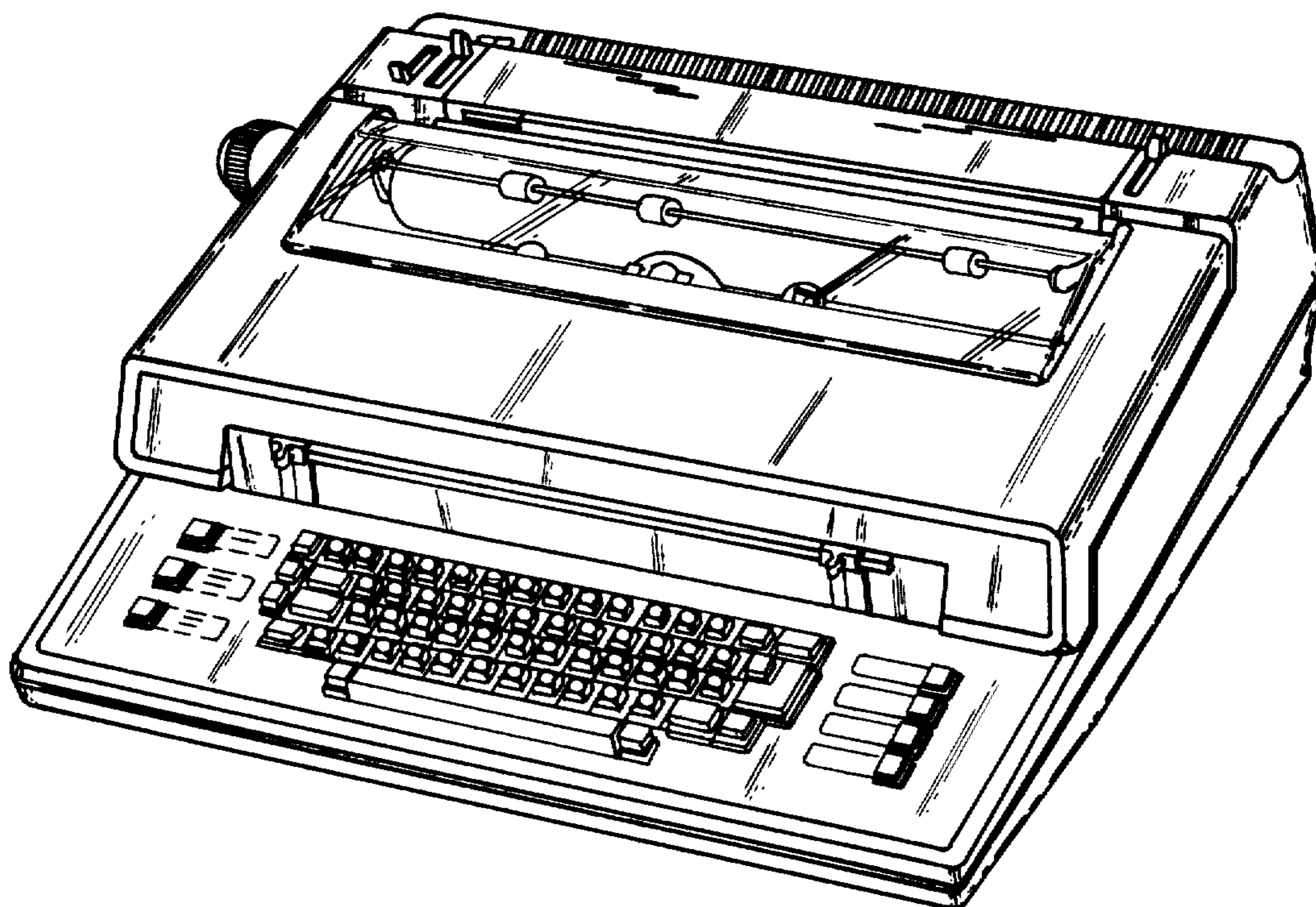
FIG. 2 is a right side elevational view;

FIG. 3 is a left side elevational view;

FIG. 4 is a top plan view;

FIG. 5 is a front perspective view and;

FIG. 6 is a rear elevational view.



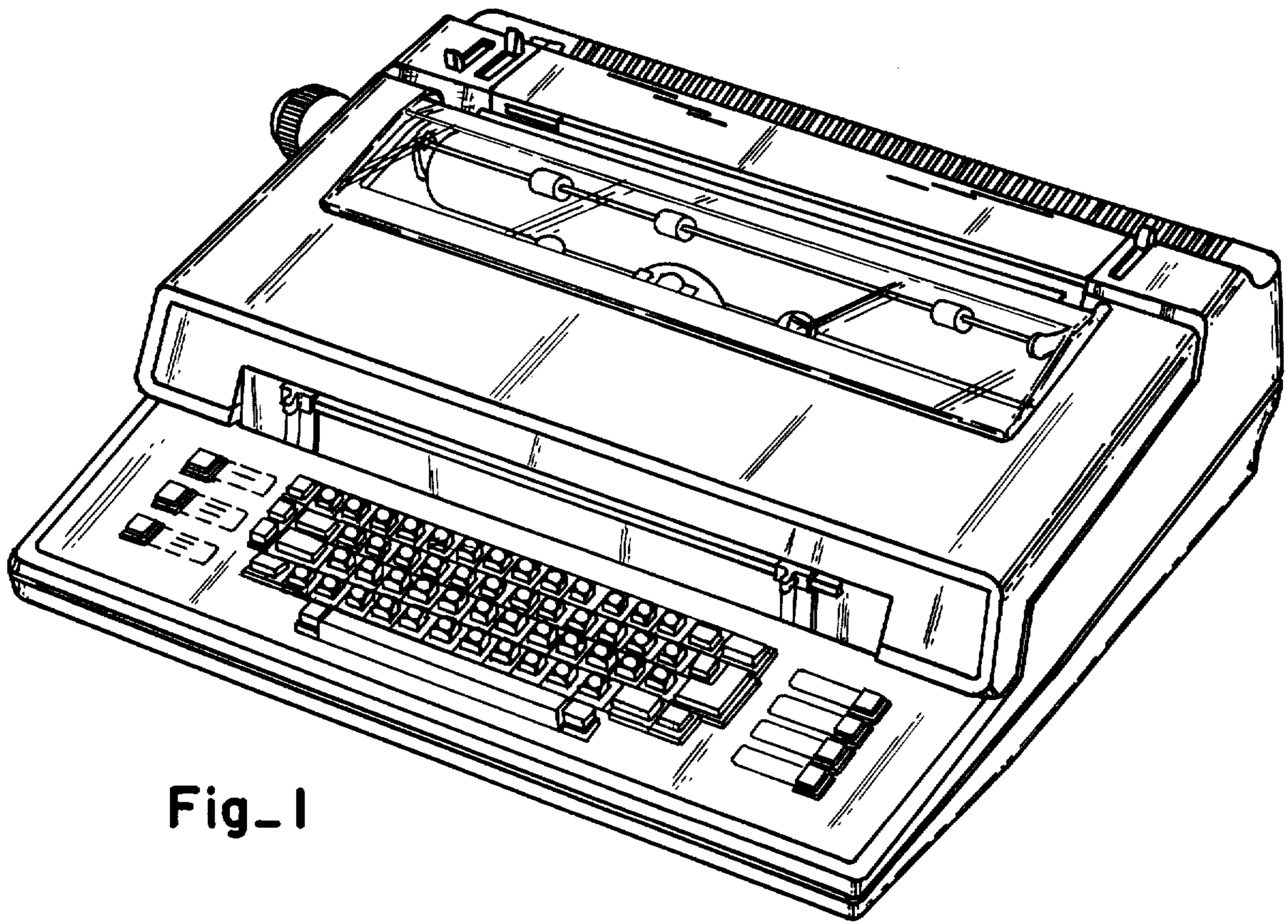


Fig-1

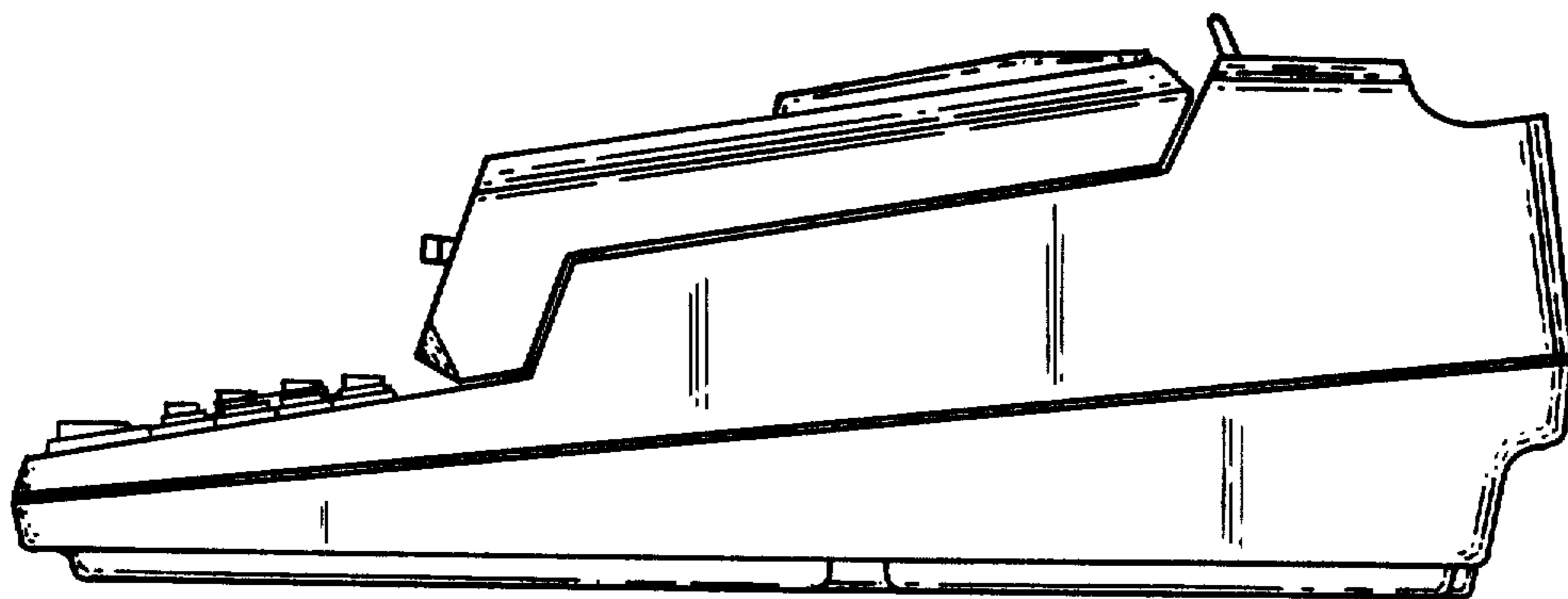


Fig-2

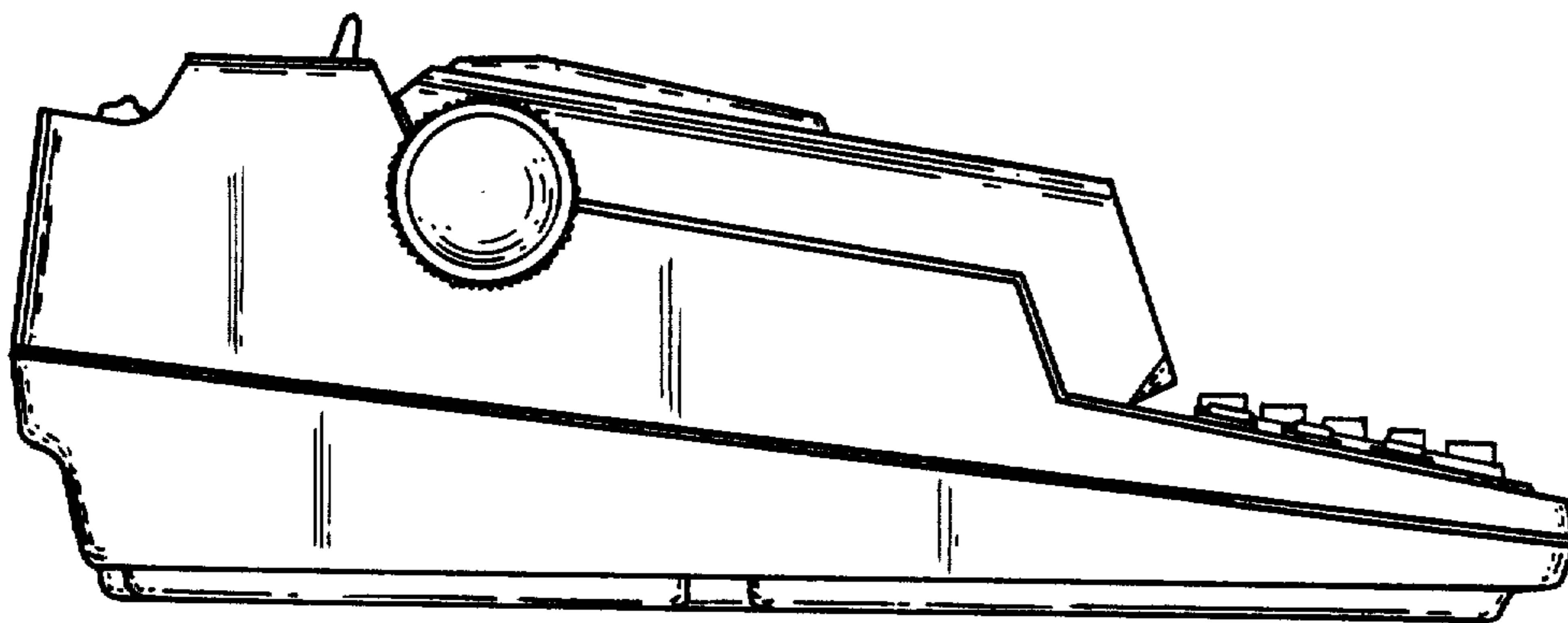


Fig-3

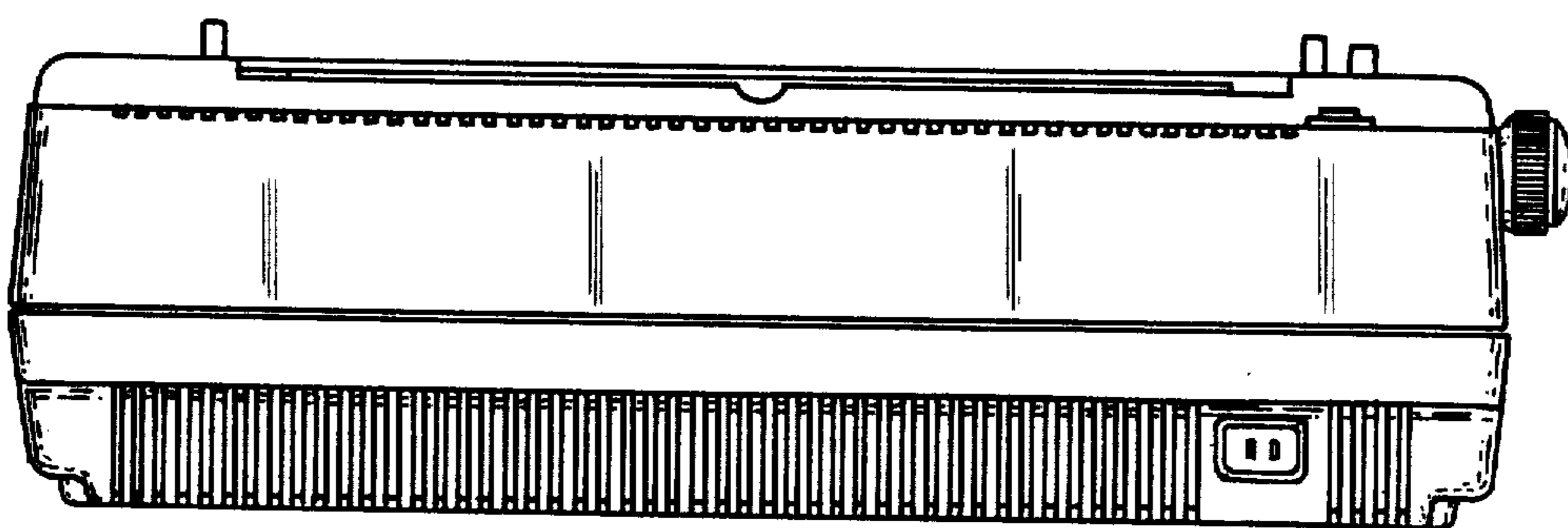
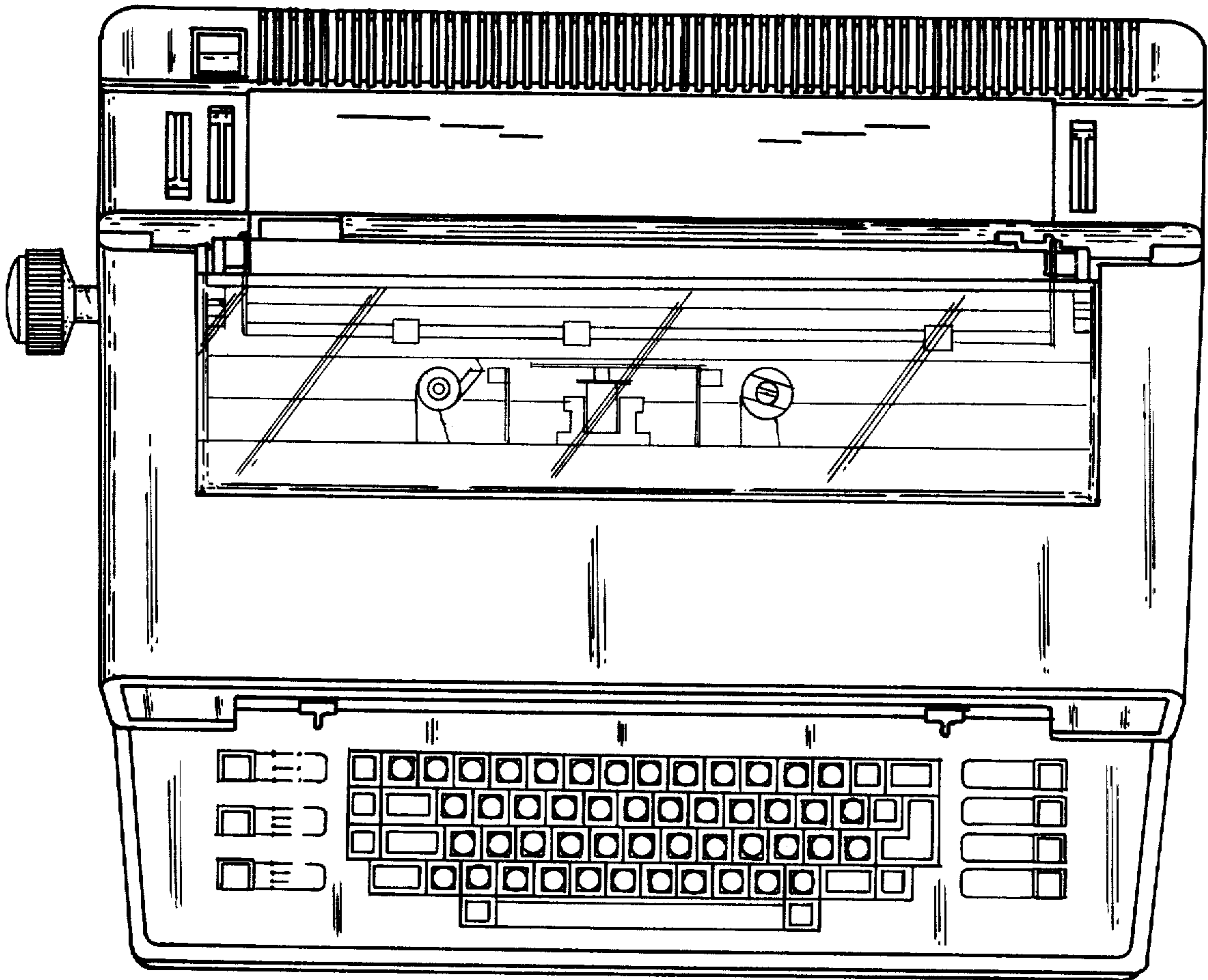
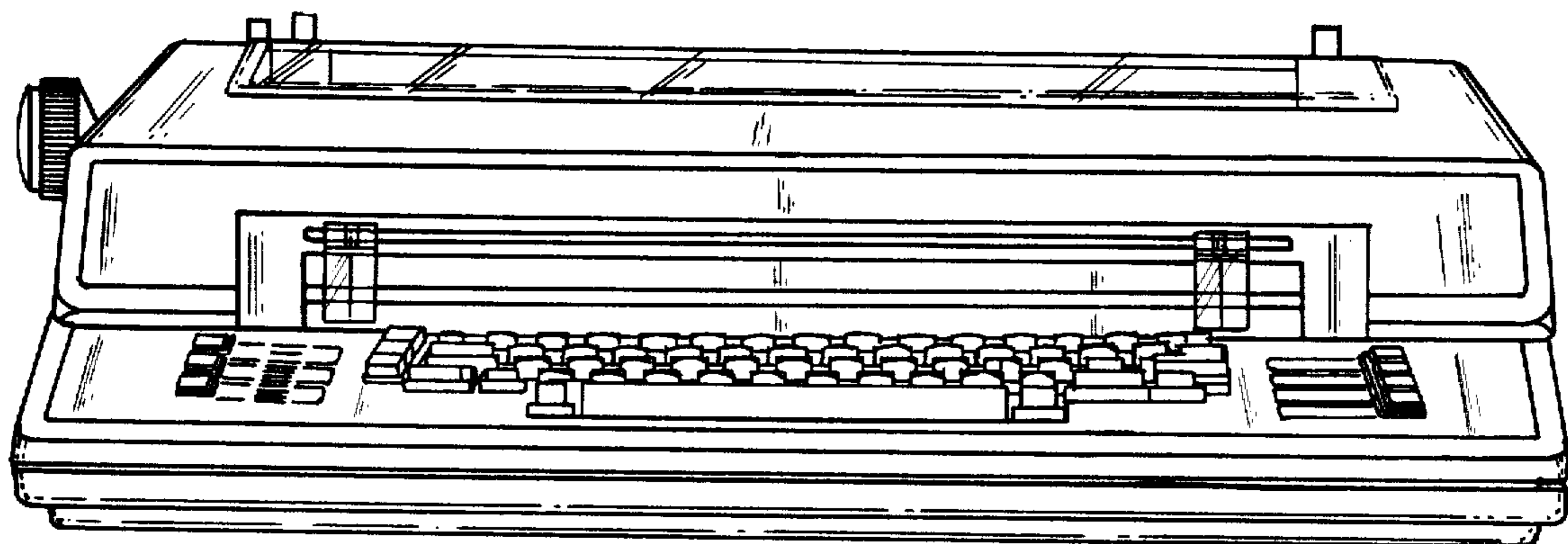


Fig-6



Fig_4



Fig_5