

[54] HANDLE FOR A PORTABLE BAG CLOSING SEWING MACHINE

2,983,237 5/1961 Lutz et al. .... 112/11

[75] Inventors: David B. Johnson; Verdell H. Schroeder, both of Minneapolis, Minn.

[73] Assignee: Bliss & Laughlin Industries, Incorporated, Oak Brook, Ill.

[\*\*] Term: 14 Years

[21] Appl. No.: 120,378

[22] Filed: Feb. 11, 1980

[51] Int. Cl. .... D15-06

[52] U.S. Cl. .... D15/72

[58] Field of Search ..... D15/66, 69, 72, 78; D8/300, 307, 315; 112/10, 11, 169; 16/110 R, 125, 110.5; D9/434

[56] References Cited

U.S. PATENT DOCUMENTS

2,185,471 1/1940 Mall ..... 16/125  
2,417,620 3/1947 Soderberg ..... 16/125

OTHER PUBLICATIONS

*Modern Plastics Encyclopedia*, Sep. 1959-1960, p. 771, top, Left Handle "A".

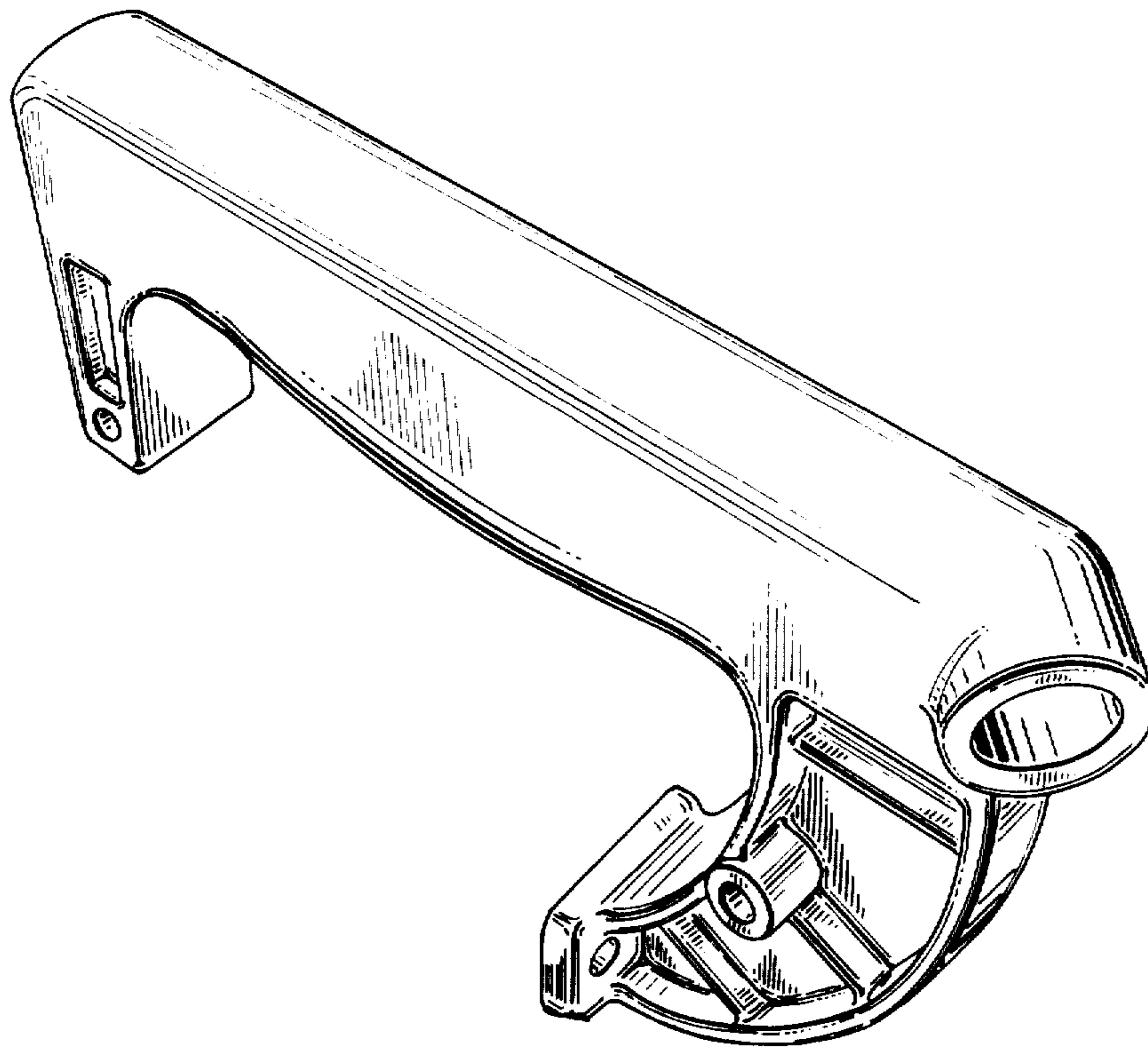
*Primary Examiner*—Joel Stearman  
*Assistant Examiner*—Carmen H. Vales  
*Attorney, Agent, or Firm*—Williamson, Bains, Moore & Hansen

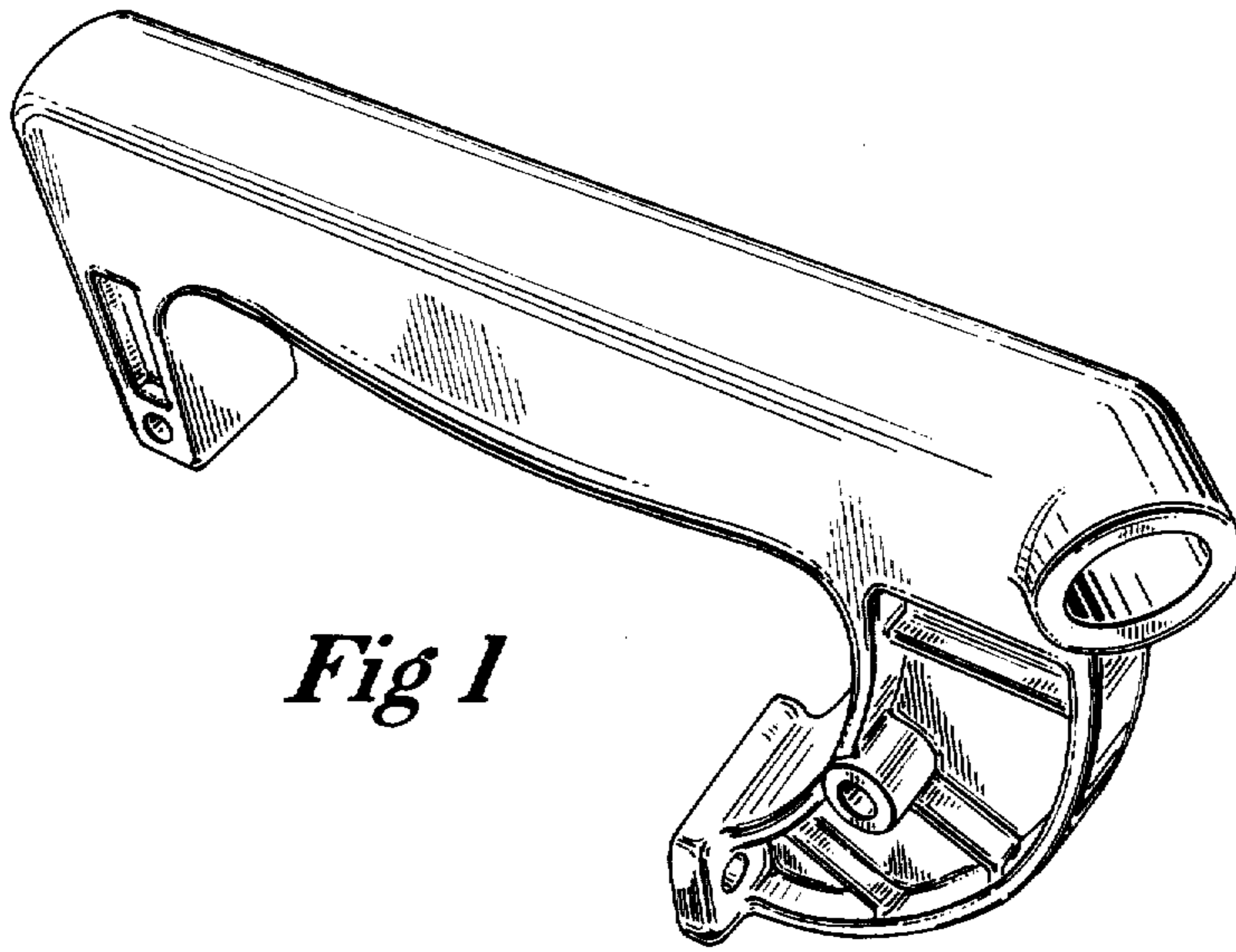
[57] CLAIM

The ornamental design for a handle for a portable bag closing sewing machine, as shown.

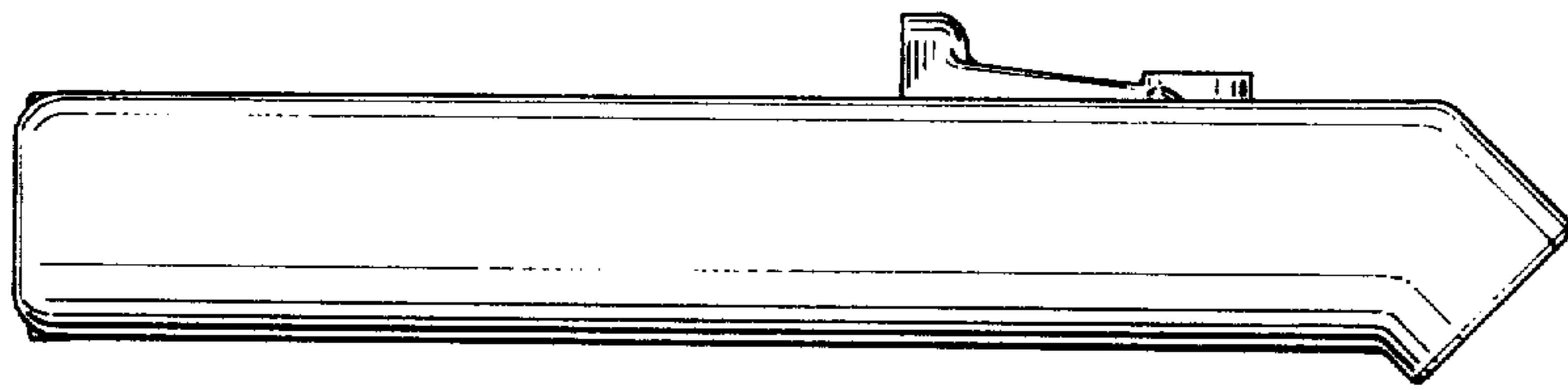
DESCRIPTION

FIG. 1 is a perspective view of the handle for a portable bag closing sewing machine showing our new design; FIG. 2 is a top plan view thereof; FIG. 3 is a bottom plan view thereof; FIG. 4 is a left side elevational view thereof; FIG. 5 is a front elevational view thereof; FIG. 6 is a rear elevational view thereof; and FIG. 7 is a right side elevational view thereof.

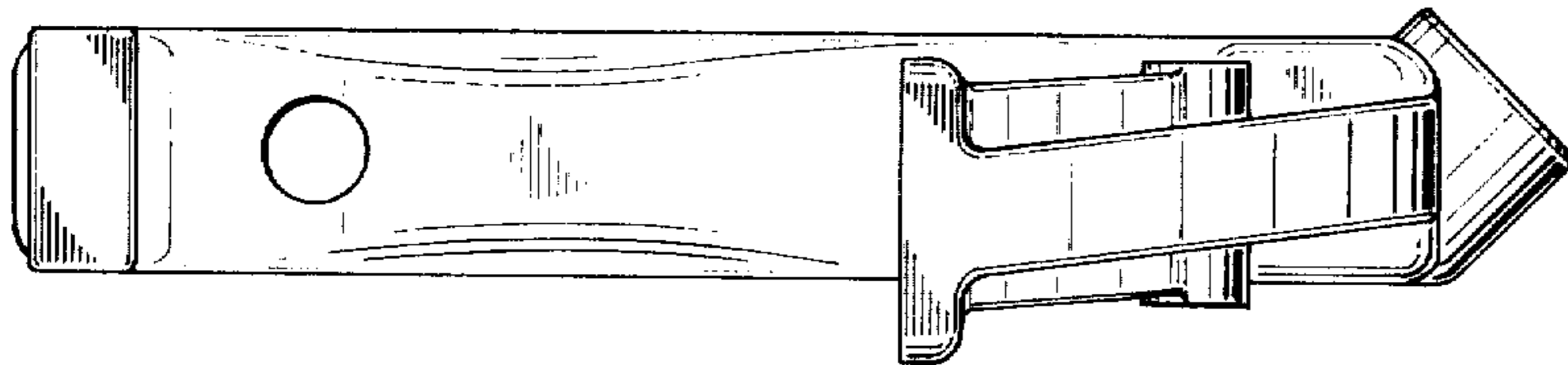




*Fig 1*



*Fig 2*



*Fig 3*

