

[54] **IMPELLER FOR CENTRIFUGAL PUMPS OR SIMILAR ARTICLE**

[76] Inventor: **Eiichi Sugiura**, 149, Matsumotocho, Hekinan-shi, Aichi-ken, Japan

[*] Notice: The portion of the term of this patent subsequent to Mar. 17, 1995, has been disclaimed.

[**] Term: **14 Years**

[21] Appl. No.: **136,274**

[22] Filed: **Apr. 1, 1980**

[30] **Foreign Application Priority Data**

Nov. 10, 1979 [JP] Japan 54-47139

[51] Int. Cl. **D15-02**

[52] U.S. Cl. **D15/7**

[58] Field of Search D15/7, 8, 9; 416/184, 416/185, 186

[56] **References Cited**

U.S. PATENT DOCUMENTS

- D. 27,078 5/1897 Cahill et al. D15/9
- D. 28,217 1/1898 Enyant D15/7
- D. 258,588 3/1981 Sugiura D15/7

- D. 258,589 3/1981 Sugiura D15/7
- 1,131,294 3/1915 Traylor 416/185
- 2,165,808 7/1939 Murphy 411/186
- 2,465,671 3/1949 Van Millingen et al. D15/7 X
- 2,869,774 1/1959 Smith et al. 416/185
- 3,021,049 2/1962 Settle 416/185
- 3,149,823 9/1964 Entrikin 416/184 X
- 3,953,150 4/1976 Onal 416/184
- 4,093,401 6/1978 Gravelle 416/185
- 4,167,369 9/1979 Ishihara 416/185

Primary Examiner—James R. Largen
Attorney, Agent, or Firm—Robert E. Burns; Emmanuel J. Lobato; Bruce L. Adams

[57] **CLAIM**

The ornamental design for an impeller for centrifugal pumps or similar article, substantially as shown and described.

DESCRIPTION

FIG. 1 is a perspective view of an impeller for centrifugal pumps or similar article showing my new design; FIG. 2 is a front elevational view thereof; FIG. 3 is a top plan view thereof; FIG. 4 is a left side elevational view thereof; FIG. 5 is a right side elevational view thereof; and FIG. 6 is a bottom plan view thereof.

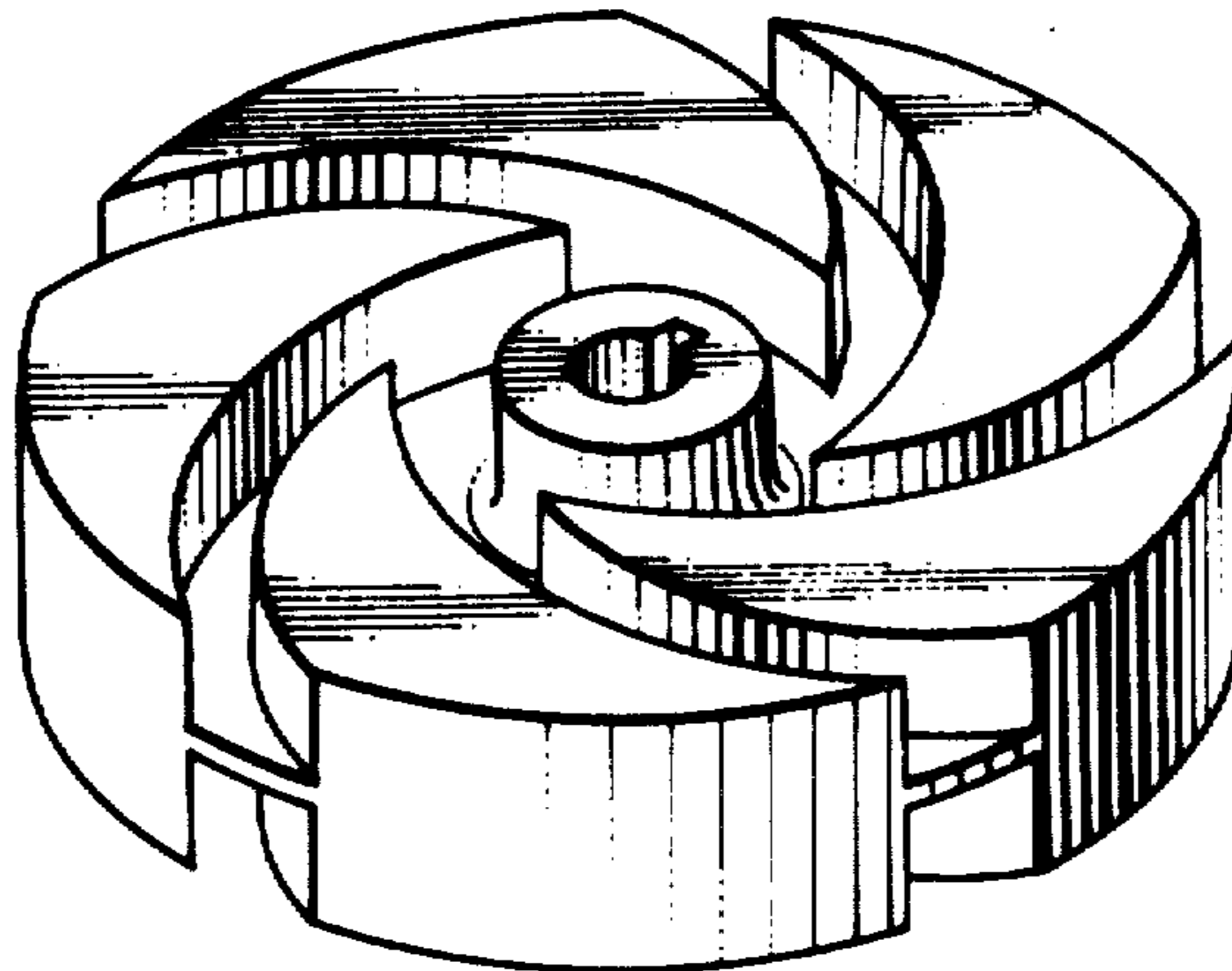


FIG. 1

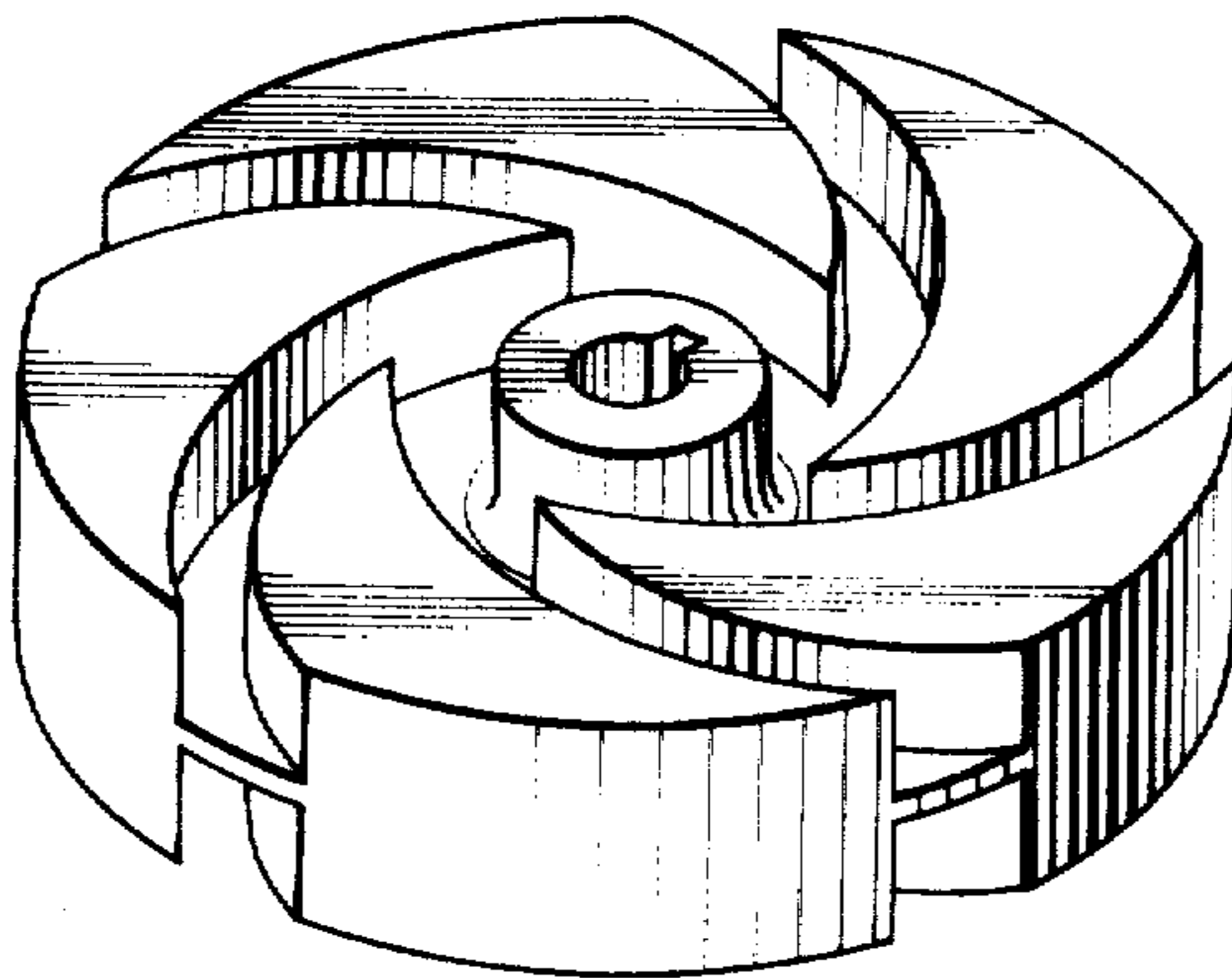


FIG. 2

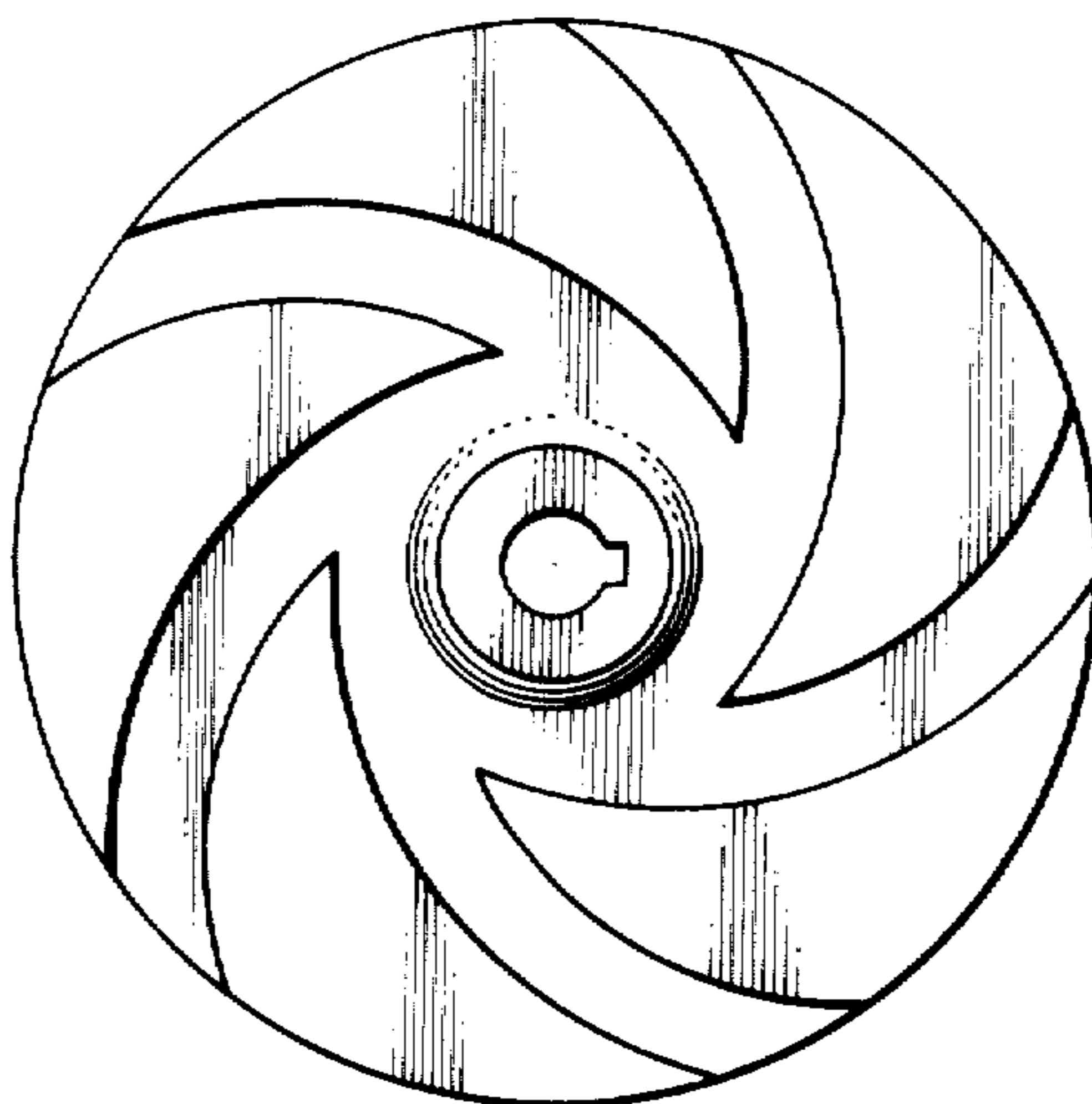


FIG. 3

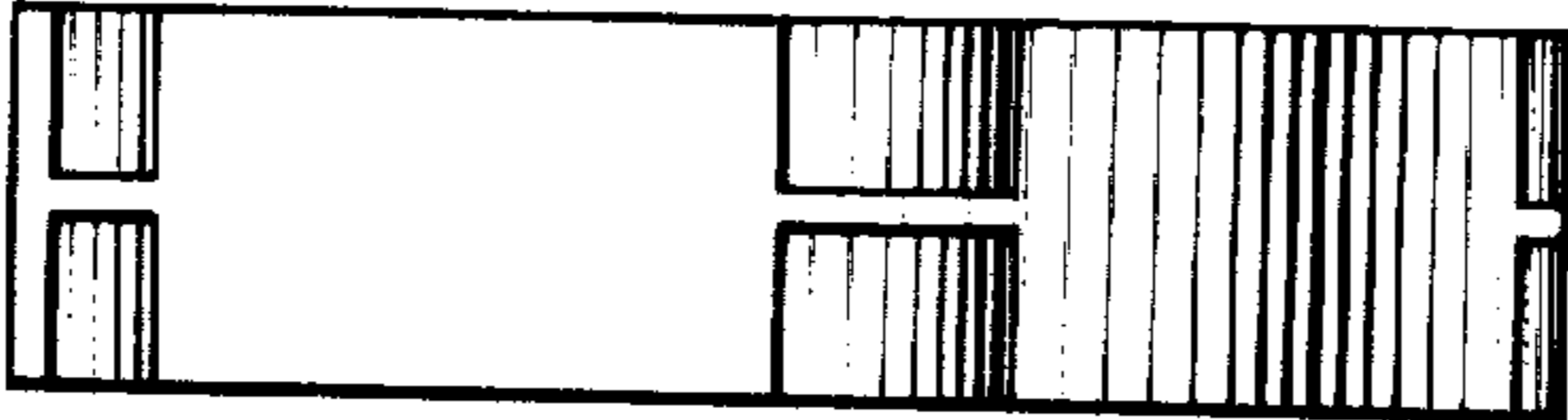


FIG. 4

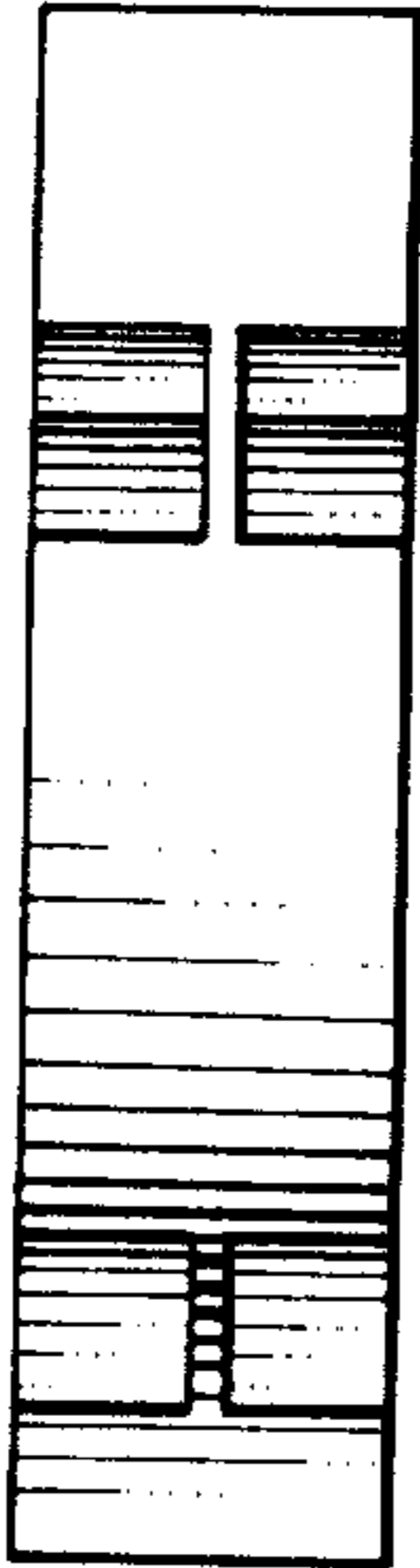


FIG. 5

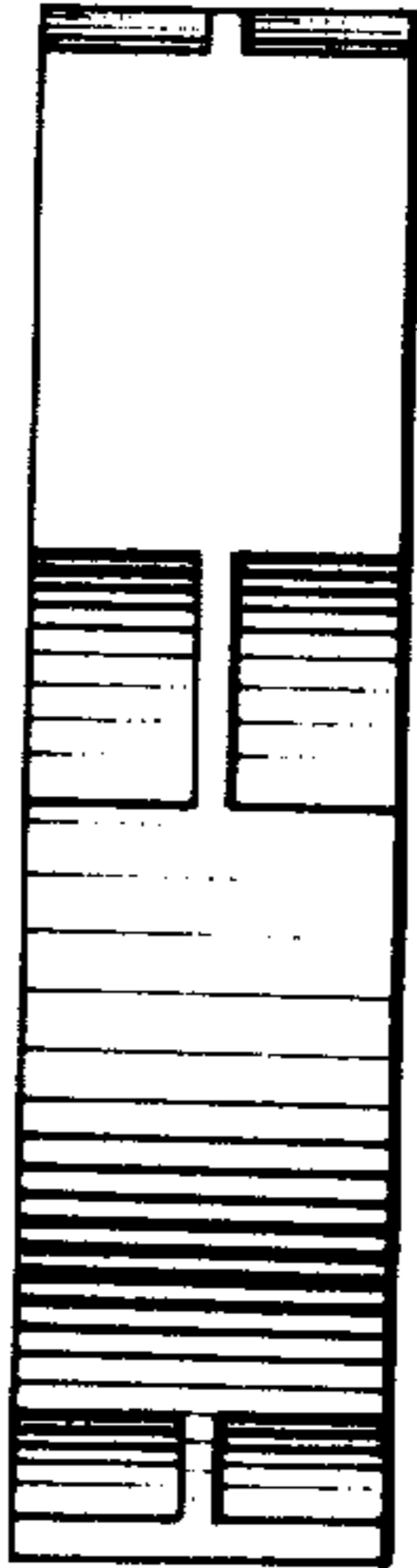


FIG. 6

