

[54] **SPEAKER STAND**

[76] Inventors: **Kenneth W. Stearns**, 8009 Cedel;
Vance L. Phenix, 1225 Ridgeley Dr.,
both of Houston, Tex. 77055

[**] Term: **14 Years**

[21] Appl. No.: **213,494**

[22] Filed: **Dec. 5, 1980**

[51] Int. Cl. **D14-99**

[52] U.S. Cl. **D14/38; D6/85;**
D6/191

[58] Field of Search **D6/85, 191, 196;**
D14/38; D34/17, 21

[56] **References Cited**

U.S. PATENT DOCUMENTS

- D. 227,324 6/1973 Rauch D6/85
- D. 246,880 1/1978 Miola D6/177 X
- D. 247,034 1/1978 Brodmann D14/38

- D. 252,388 7/1979 Fjello-Jensen D34/17
- 3,259,922 7/1966 Fischer D6/177 X

Primary Examiner—Bruce W. Dunkins
Attorney, Agent, or Firm—Gunn, Lee & Jackson

[57] **CLAIM**

The ornamental design for a speaker stand, as shown.

DESCRIPTION

FIG. 1 is a perspective view of the speaker stand of the invention;

FIG. 2 is a bottom view of the speaker stand of the invention;

FIG. 3 is a front view of the speaker stand of the invention as seen from the front of FIG. 1;

FIG. 4 is a side view of the speaker stand of the invention as seen from the left side of FIG. 1;

FIG. 5 is a back view of the speaker stand of the invention as seen from the rear of FIG. 1; and

FIG. 6 is a top view of the speaker stand of the invention showing the legs of the speaker stand positioned at an angle.

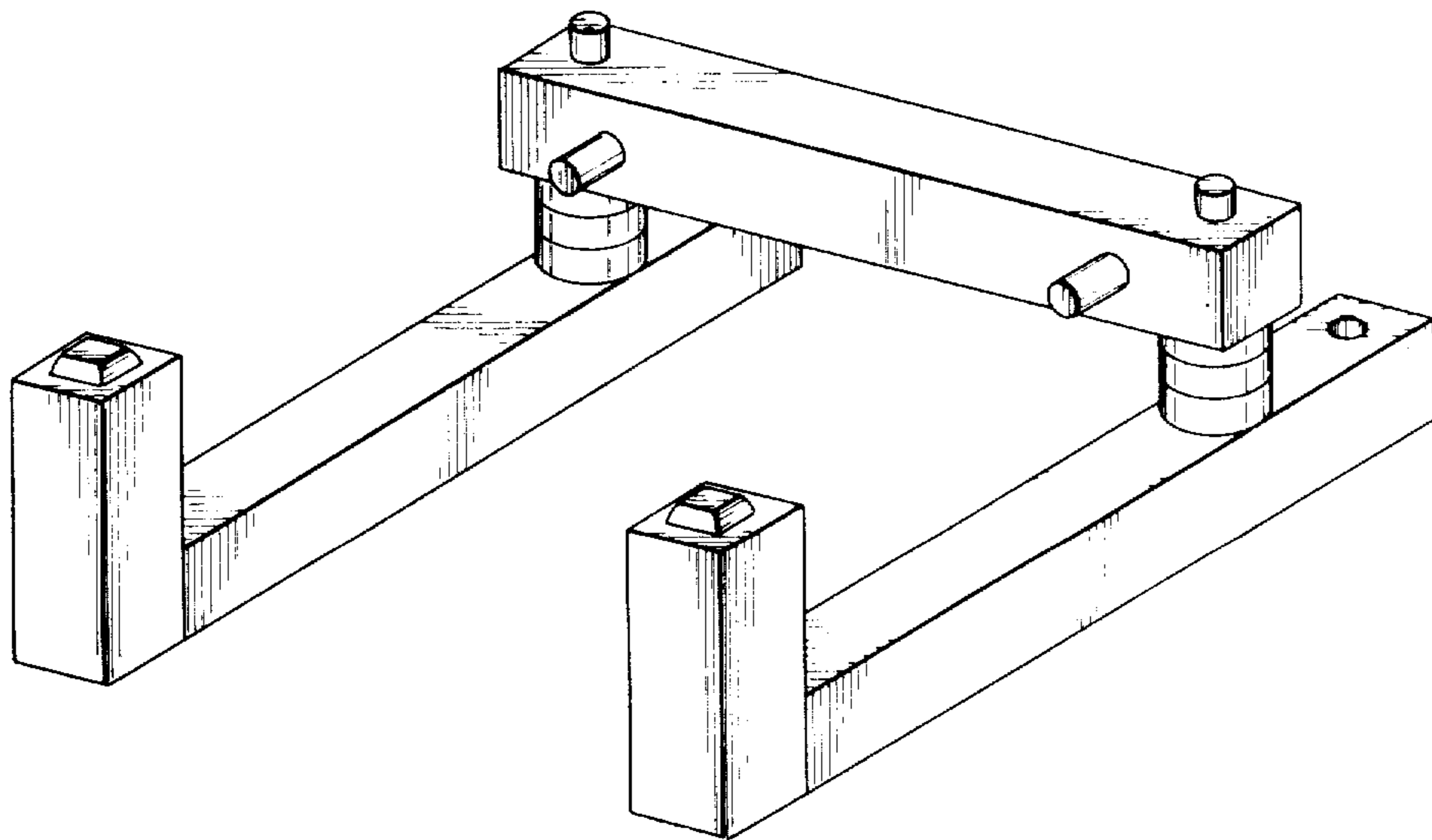


FIG. 1

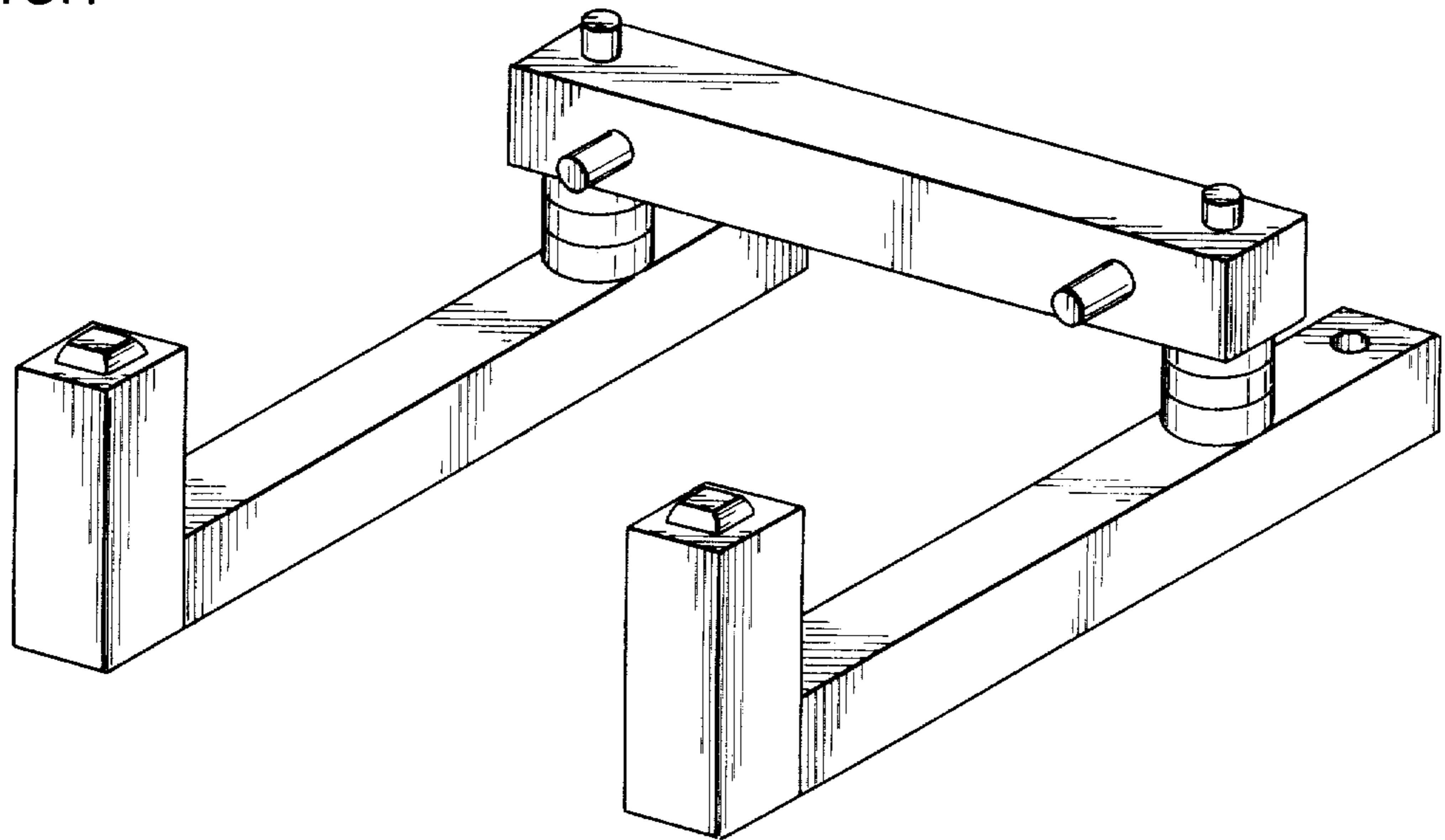


FIG. 2

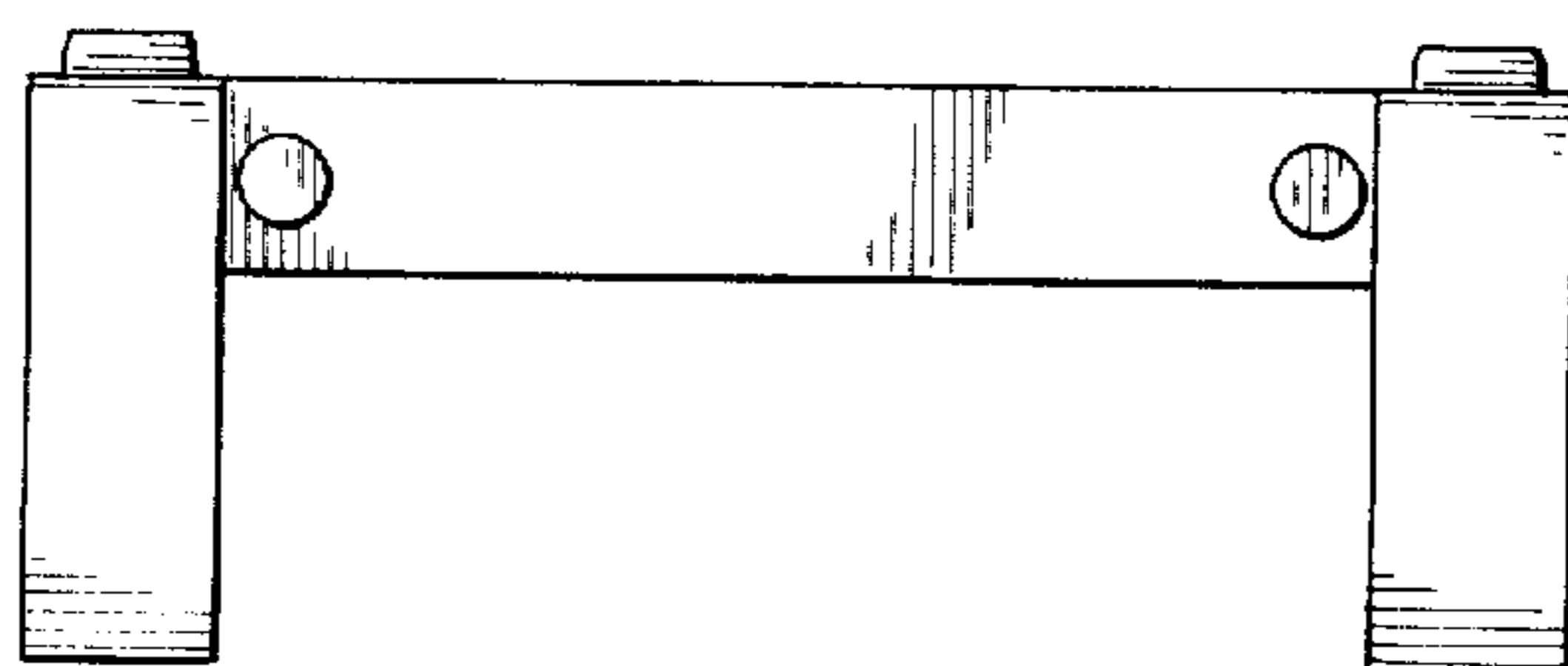
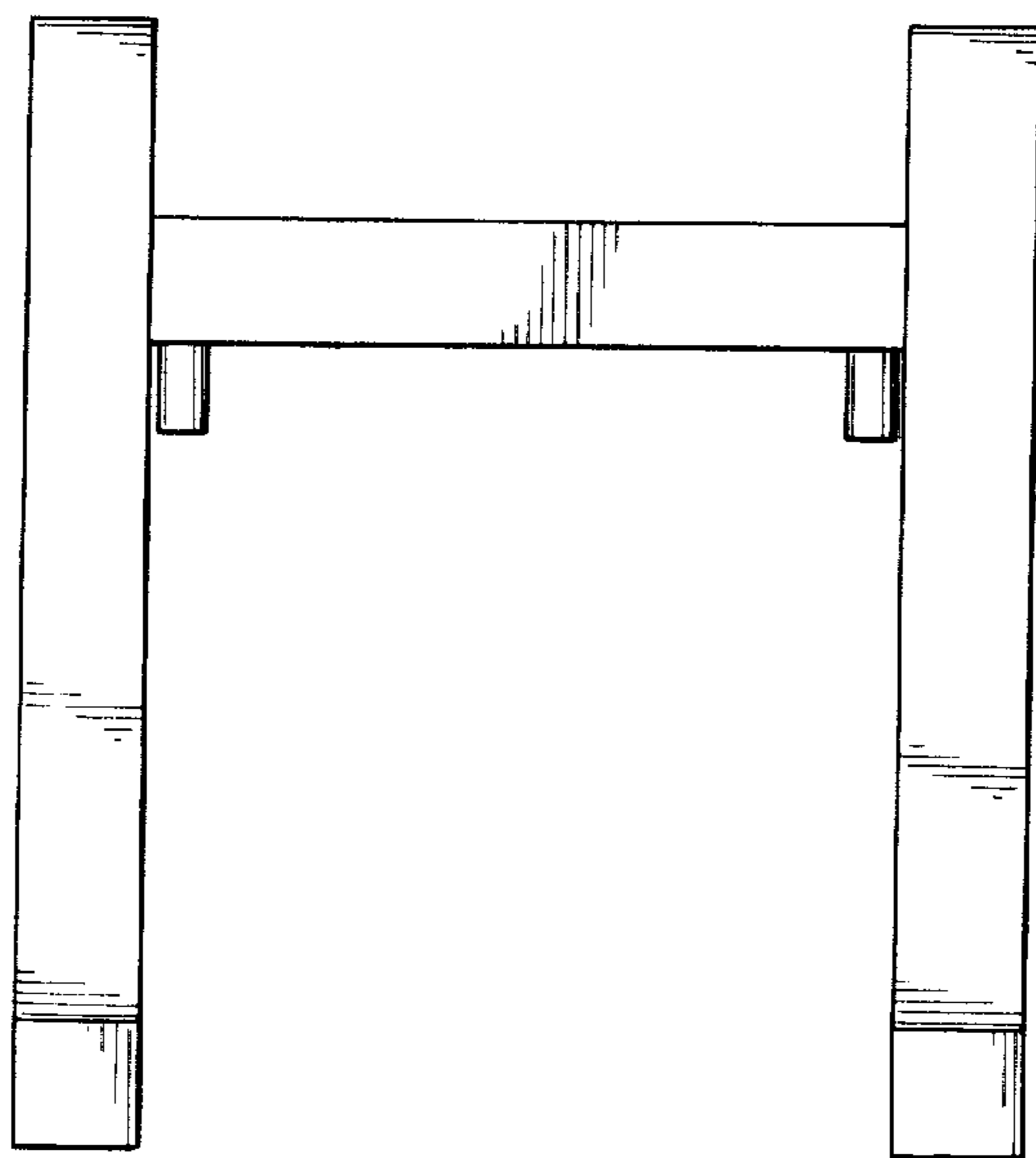


FIG. 3

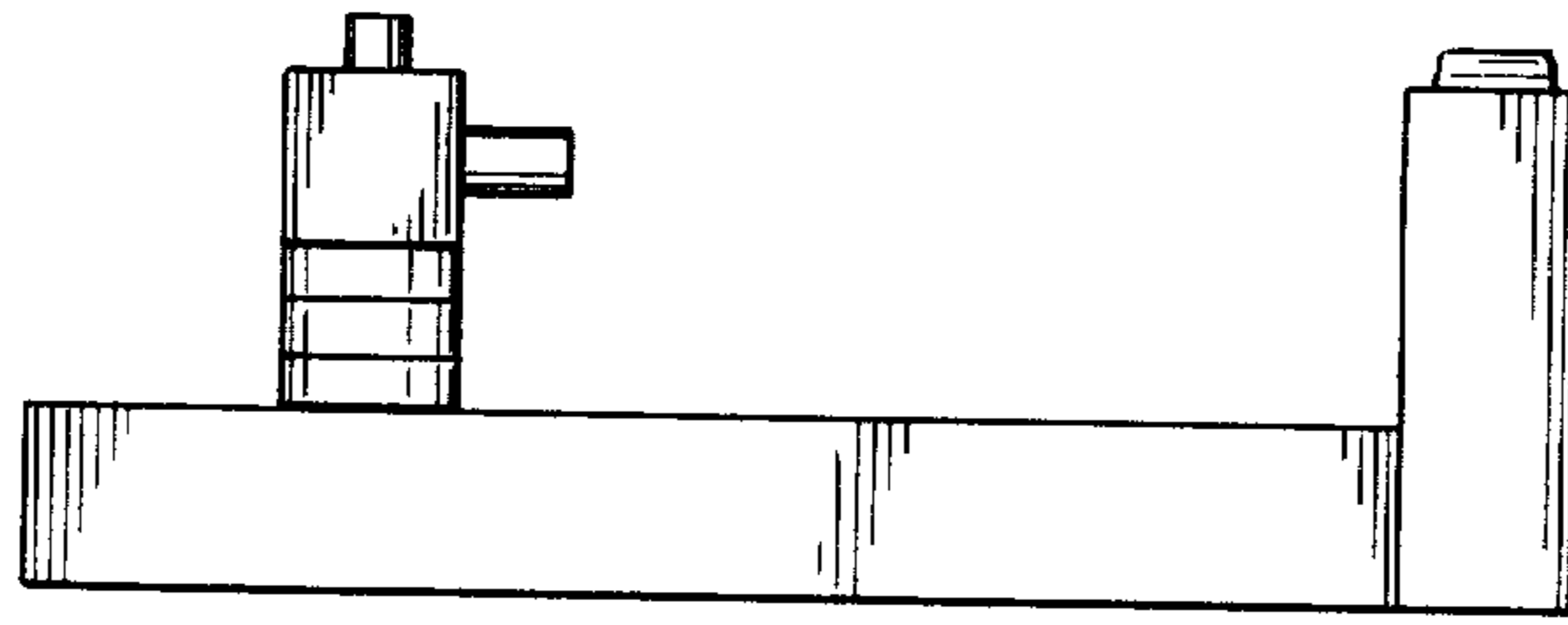


FIG. 4

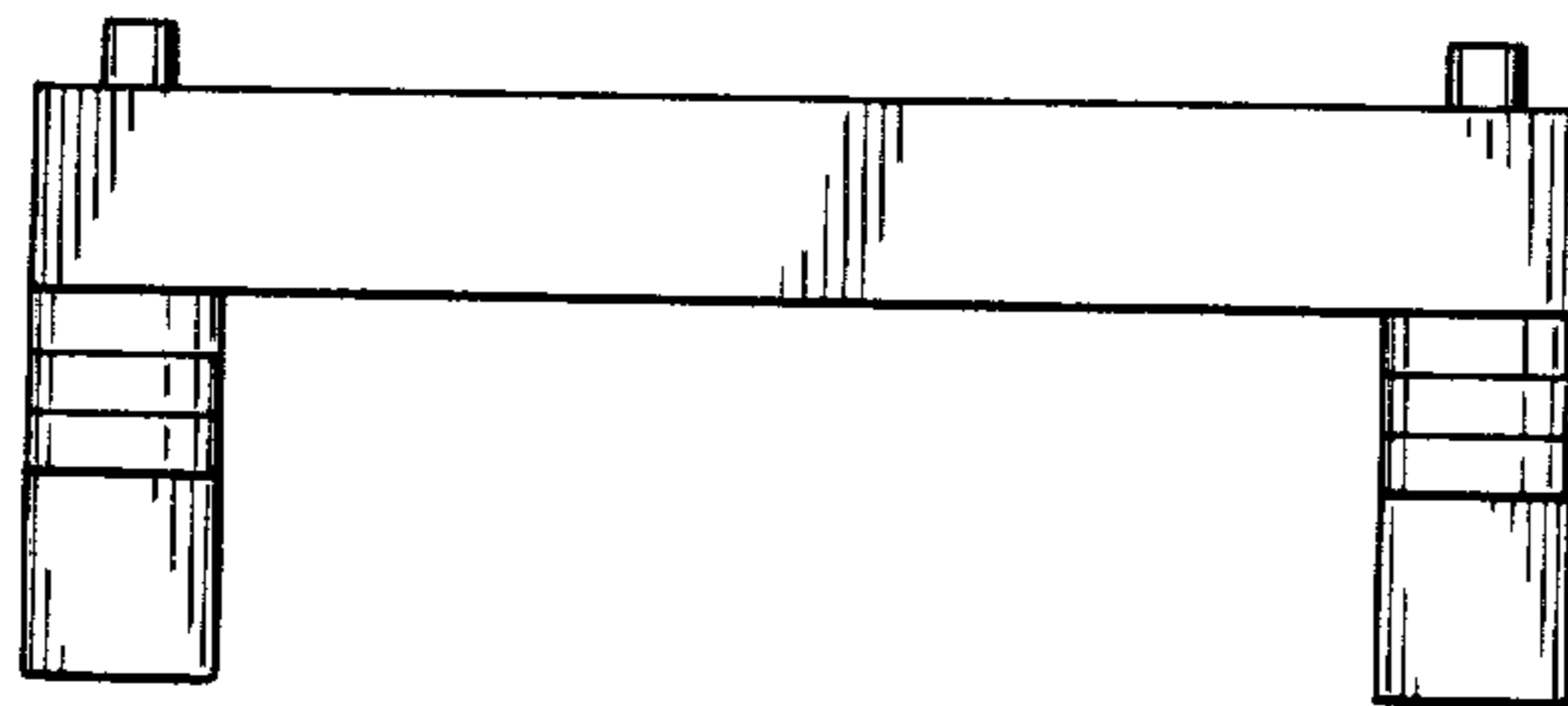


FIG. 5

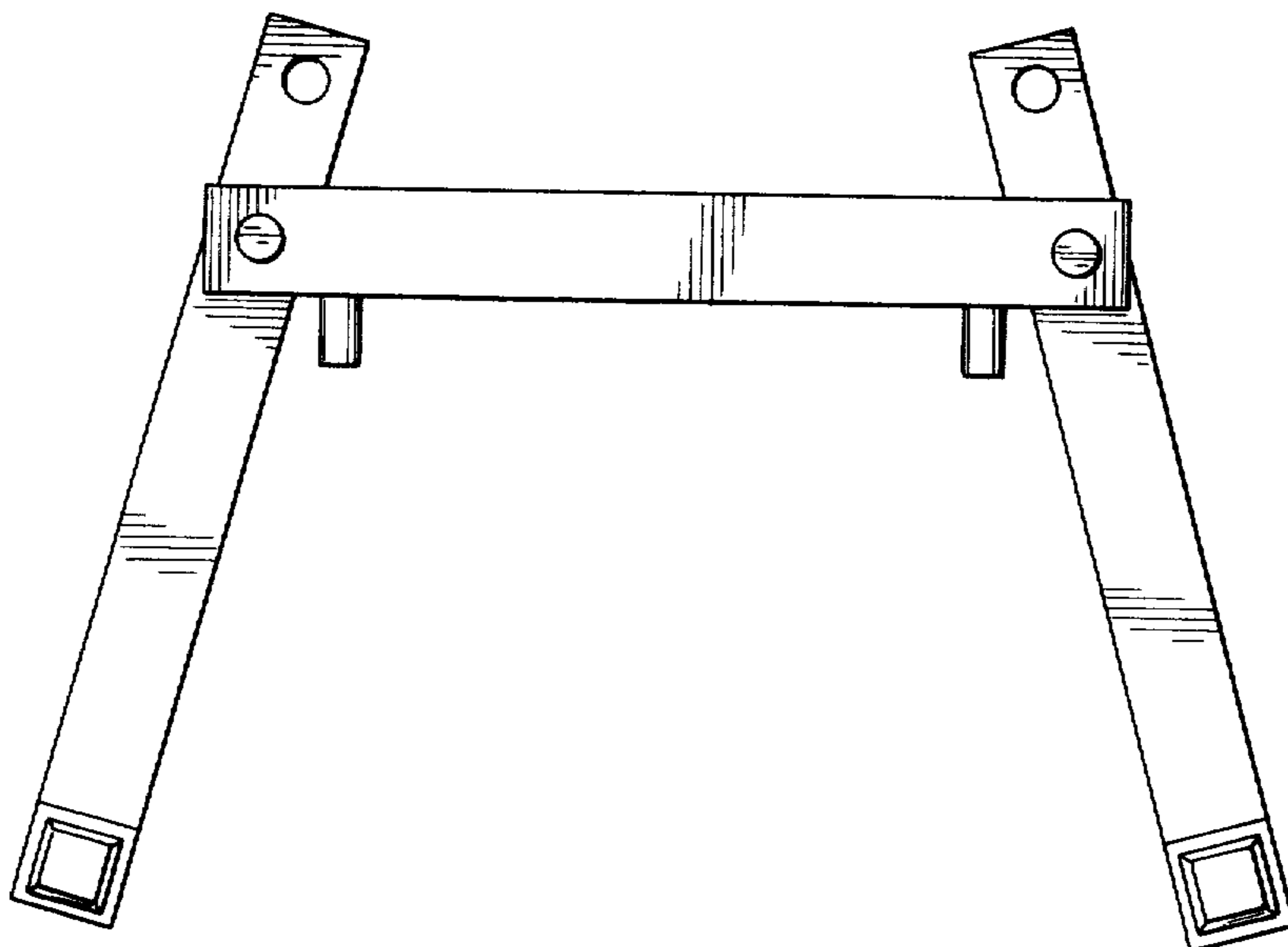


FIG. 6