

[54] TEMPERATURE SENSING STRIP

[75] Inventor: Karl E. A. Axelsson, Sondra Sandby, Sweden

[73] Assignee: Crafton Medical AB, Sweden

[**] Term: 14 Years

[21] Appl. No.: 194,409

[22] Filed: Oct. 6, 1980

[30] Foreign Application Priority Data

Apr. 15, 1980 [SE] Sweden 778/80

[51] Int. Cl. D10-04

[52] U.S. Cl. D10/57

[58] Field of Search D10/57, 58; 73/356, 73/358; 116/216, 217

[56] References Cited

U.S. PATENT DOCUMENTS

D. 78,416 4/1929 Van Brunt D10/58 X

D. 238,661	2/1976	Sagi	D10/57
D. 242,604	12/1976	Van Kersen	D10/57
3,465,590	9/1969	Kluth	73/358 X
3,871,232	3/1975	Pickett	73/358 X
3,932,134	1/1976	Fang	73/358 X
4,150,572	2/1979	Lindquist	73/356

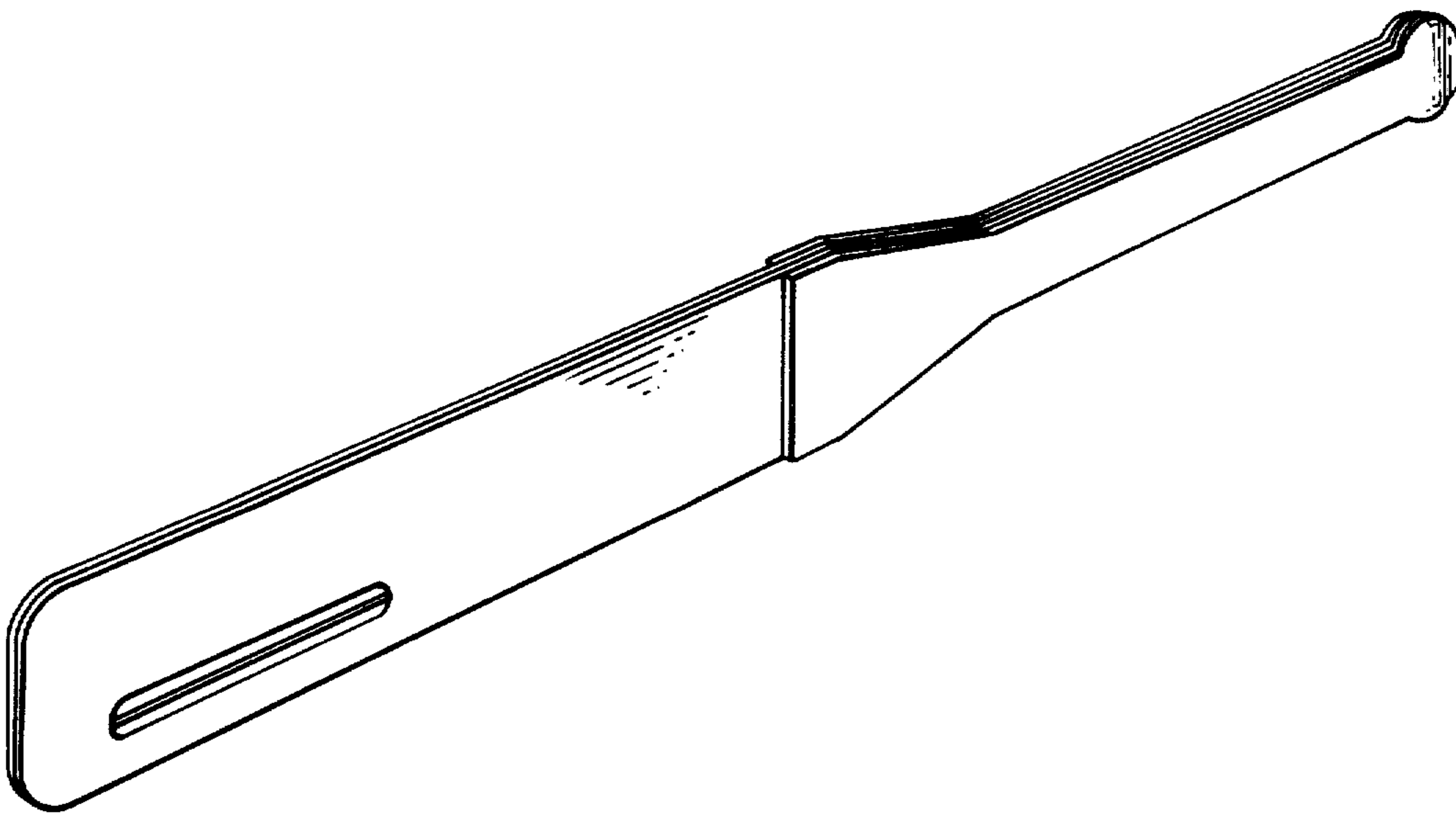
Primary Examiner—Nelson C. Holtje
Attorney, Agent, or Firm—Lerner, David, Littenberg & Samuel

[57] CLAIM

The ornamental design for a temperature sensing strip, substantially as shown and described.

DESCRIPTION

FIG. 1 is a front perspective view of a temperature sensing strip showing my new design; FIG. 2 is a rear perspective view thereof; FIG. 3 is a top plan view, the bottom plan view is a mirror image thereof; FIG. 4 is a left end elevational view thereof; and, FIG. 5 is a right end elevational view.



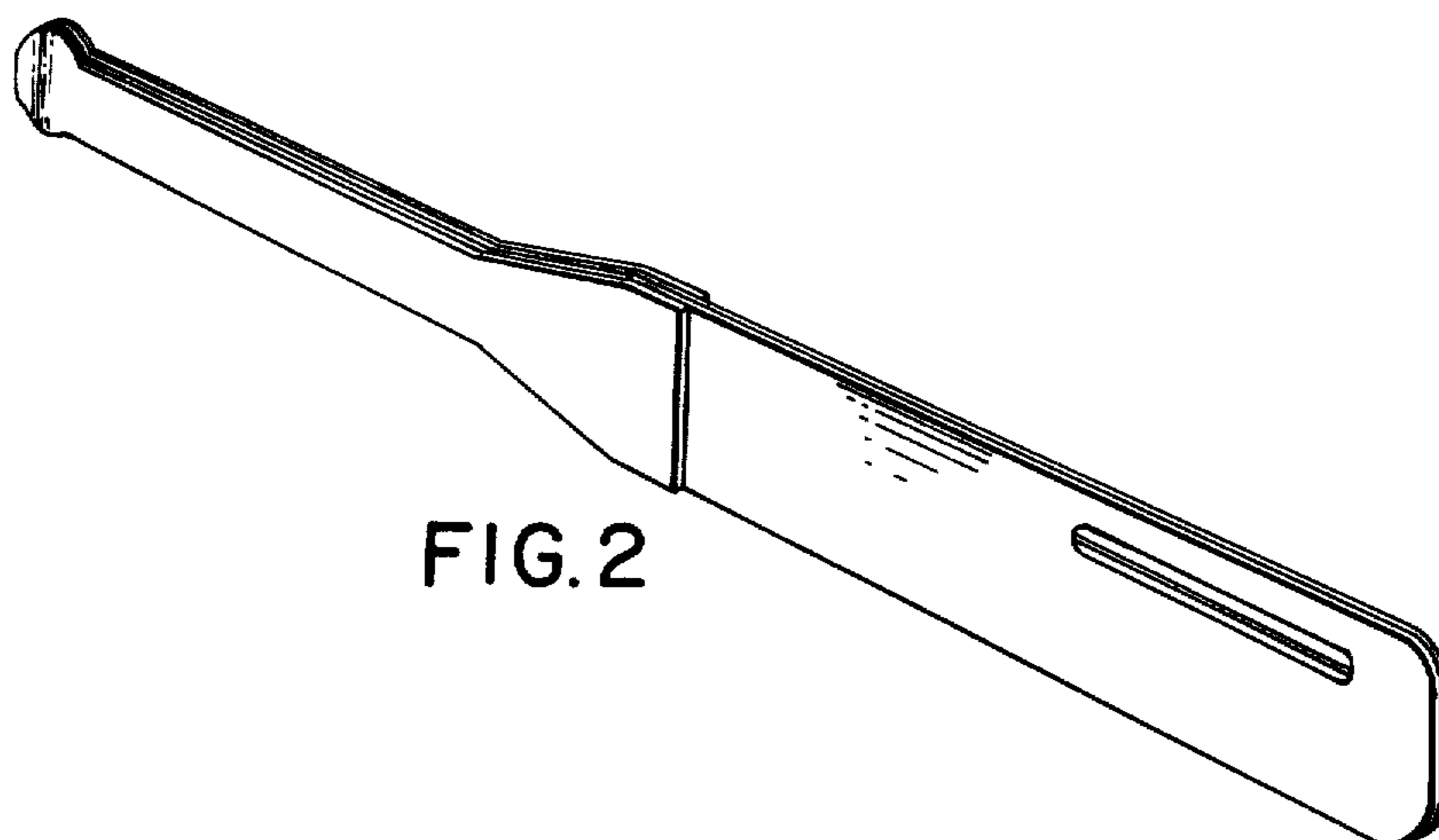
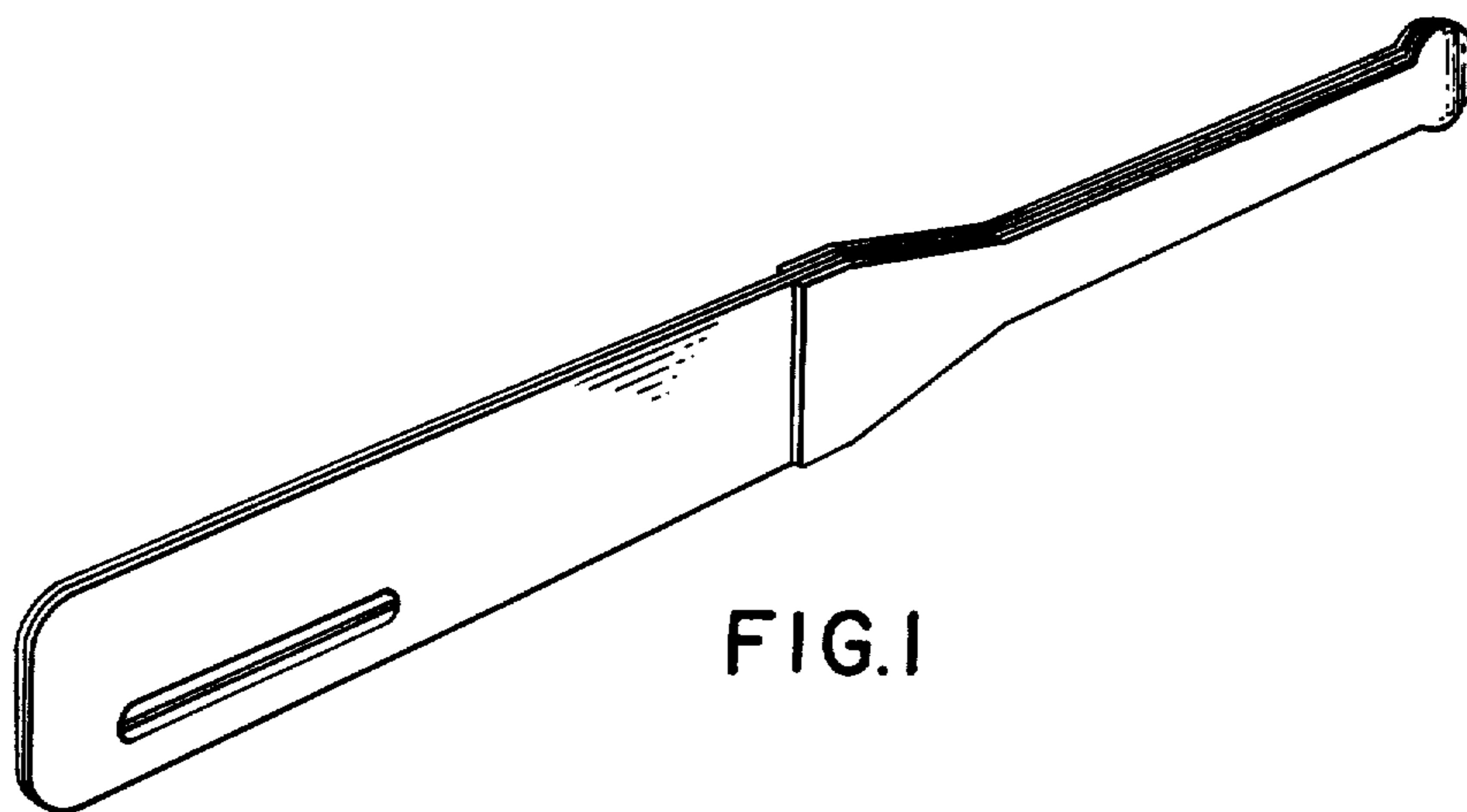


FIG. 3



FIG. 4



FIG. 5