

[54] SHELF BRACKET

[75] Inventors: Stephen K. Wenczl, Fayetteville; Lawrence Peabody, New York; Theodore W. Schriever, Syracuse, all of N.Y.

[73] Assignee: Syroco, Inc., Syracuse, N.Y.

[**] Term: 14 Years

[21] Appl. No.: 169,061

[22] Filed: Jul. 15, 1980

[51] Int. Cl. D8-08

[52] U.S. Cl. D8/381; D6/191

[58] Field of Search D6/191, 181, 186, 85; D8/381; 248/235, 250, 300, 236, 218.4; 108/93

[56] References Cited

U.S. PATENT DOCUMENTS

- D. 217,161 4/1970 Sobel et al. D6/181
- D. 260,852 9/1981 Loeschen D8/381

- 2,970,872 2/1961 Ullman, Jr. 108/42 X
- 3,278,149 10/1966 Brucker 248/300 X
- 3,730,464 5/1973 Kelly 248/300 X
- 4,010,697 3/1977 Einhorn 108/93
- 4,230,052 10/1980 Champagne D6/191 X

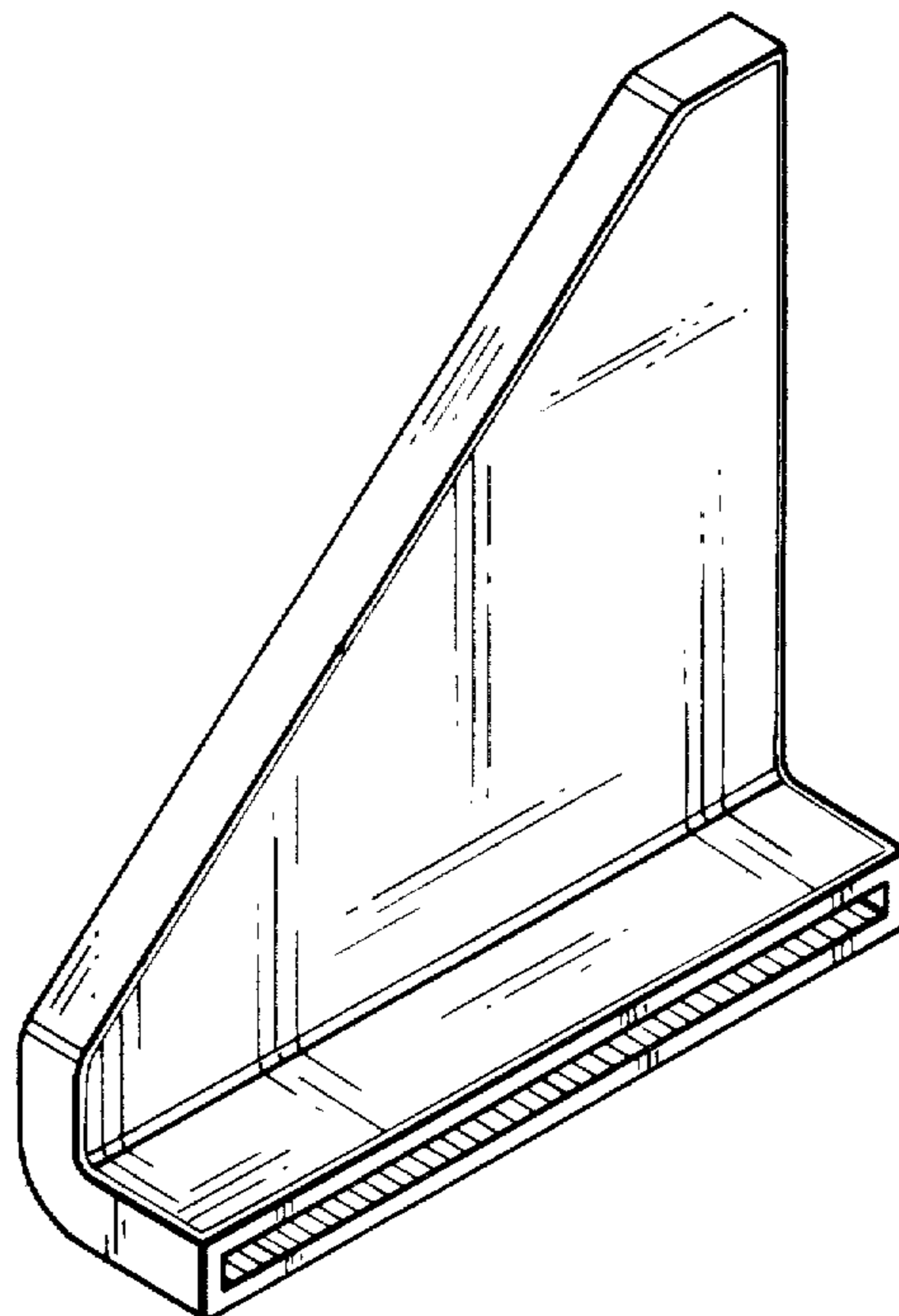
Primary Examiner—Bruce W. Dunkins
Attorney, Agent, or Firm—Stanley R. Moore; Thomas L. Crisman

[57] CLAIM

The ornamental design for a shelf bracket, substantially as shown.

DESCRIPTION

FIG. 1 is a perspective view of a shelf bracket showing our design;
FIG. 2 is a left side elevation view;
FIG. 3 is a right side elevation view;
FIG. 4 is a front end elevation view;
FIG. 5 is a back end elevation view;
FIG. 6 is a top plan elevation view; and,
FIG. 7 is a bottom plan view.



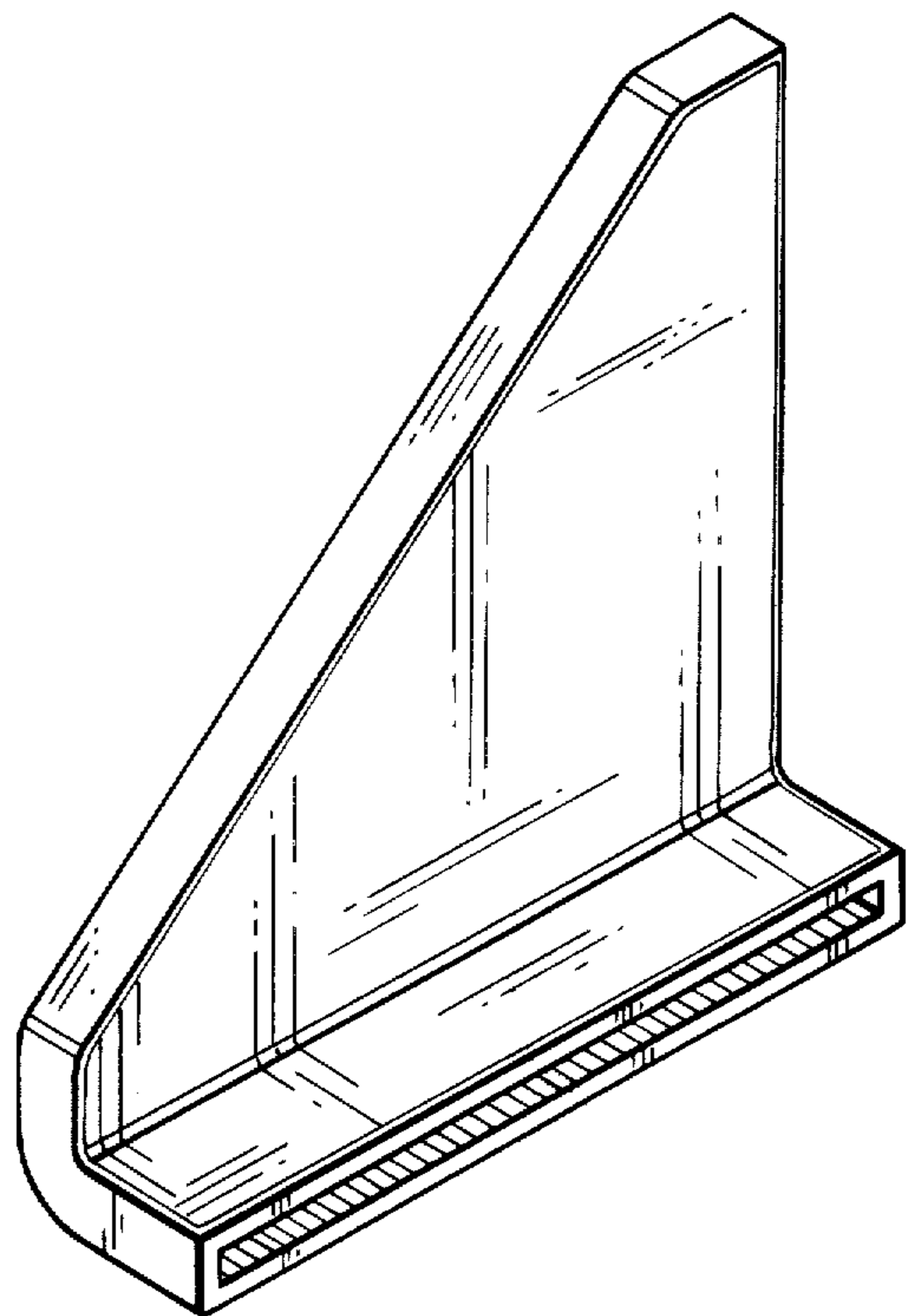


FIG. 1

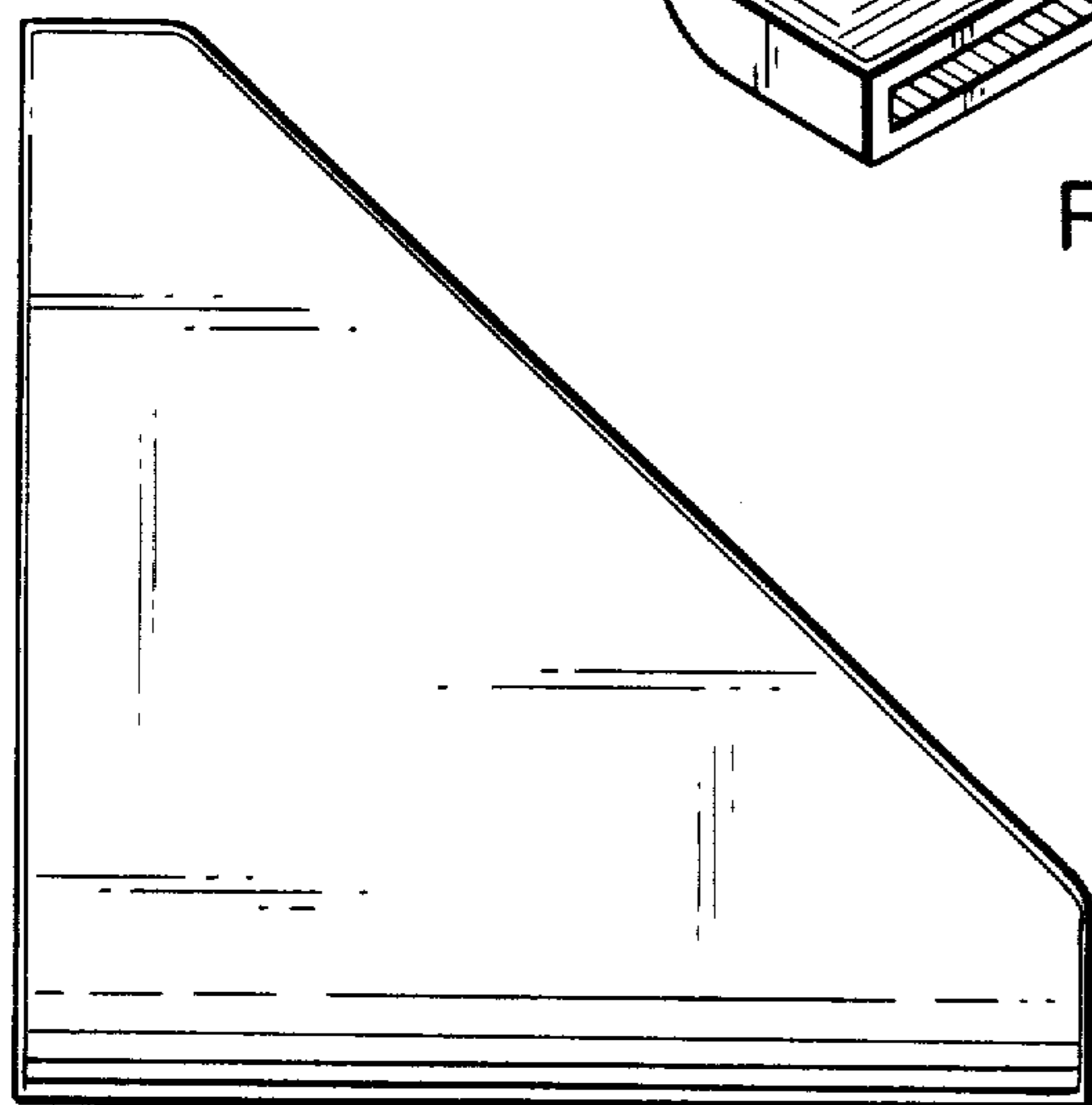


FIG. 2

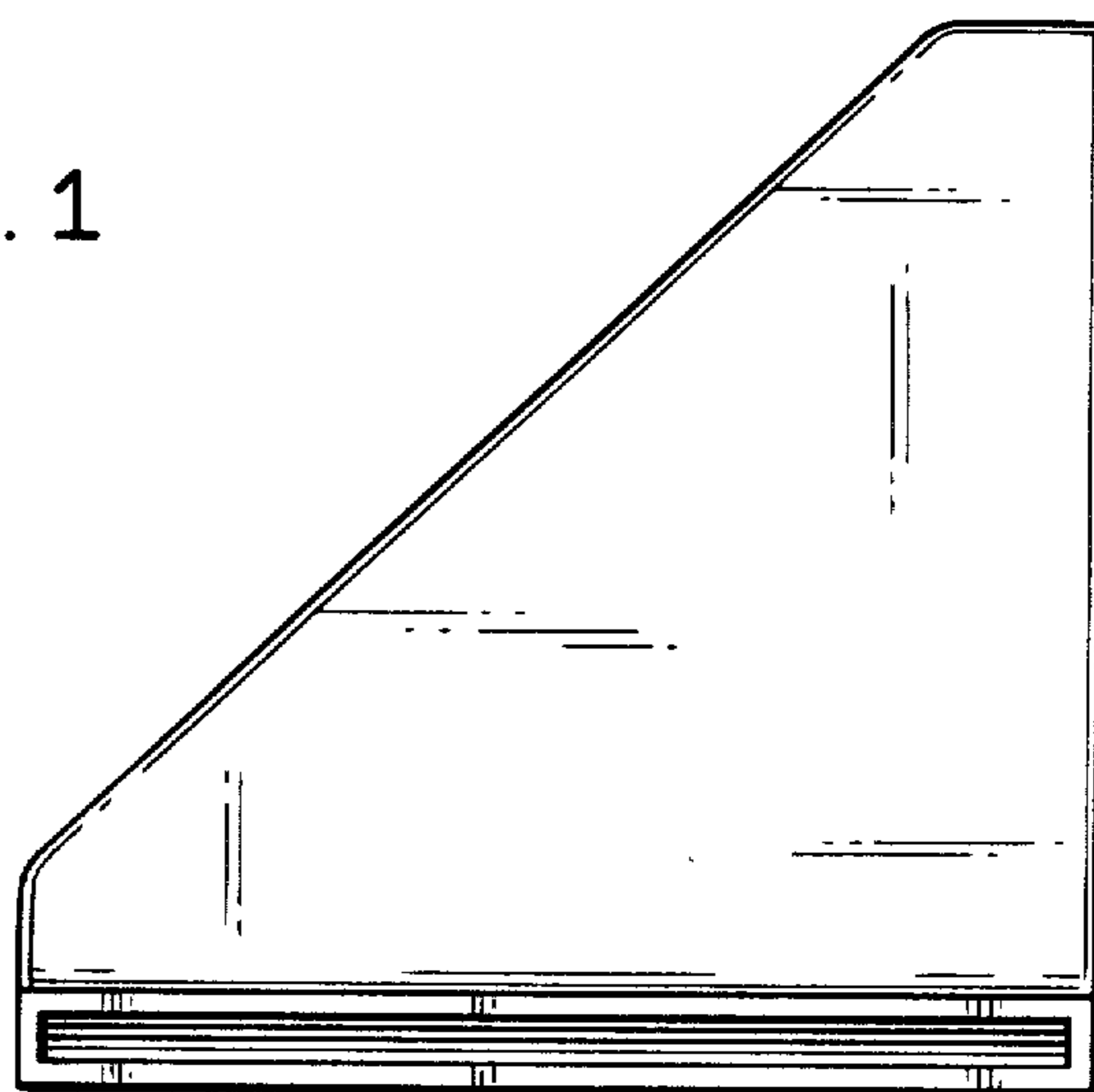


FIG. 3

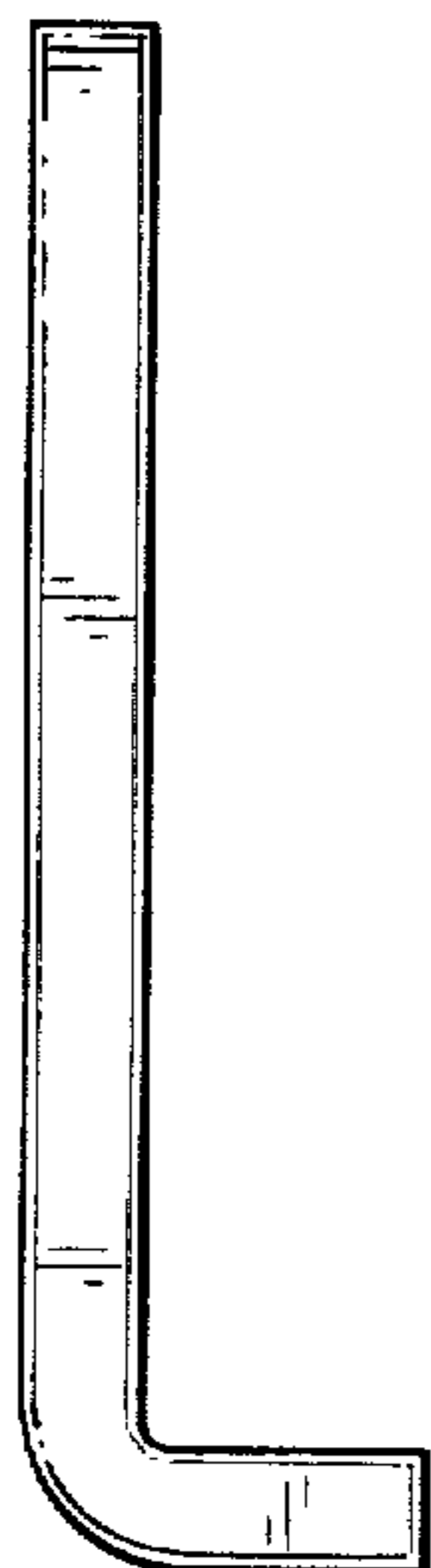


FIG. 4



FIG. 5

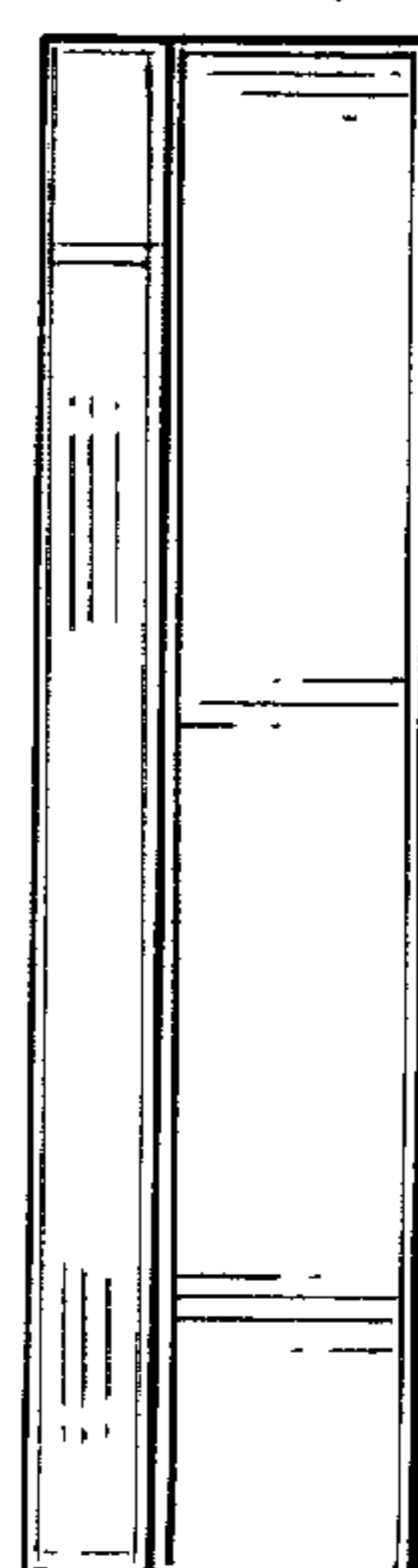


FIG. 6

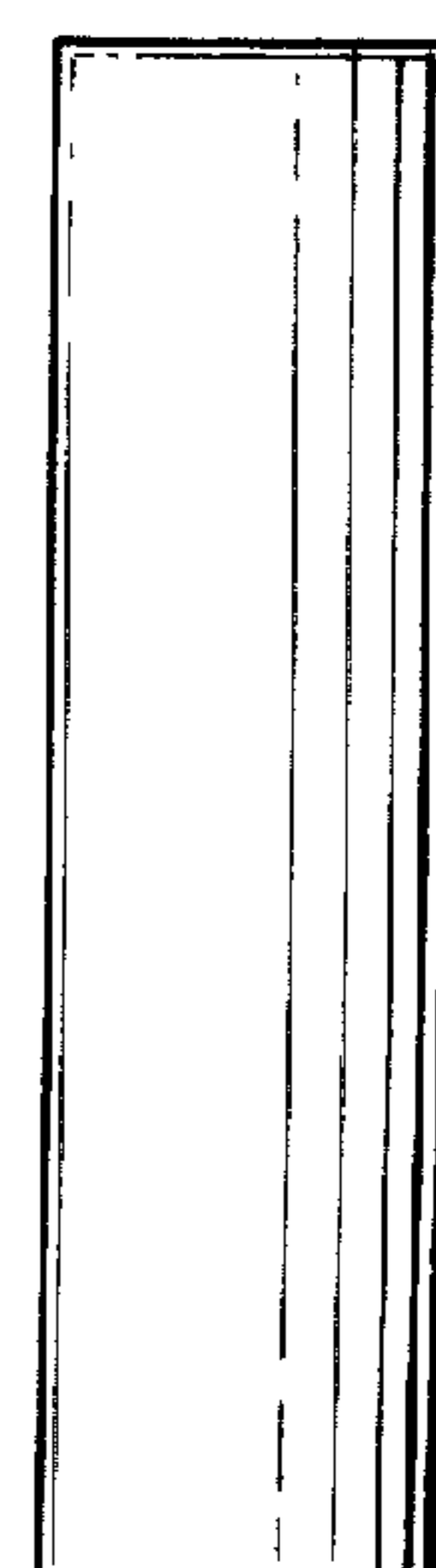


FIG. 7